

# Fitting Instructions



SKU

**T4H771**

PRODUCT

**TAG Heavy Duty Towbar  
for Isuzu D-Max (07/2020 – on),  
Mazda BT-50 (08/2020 – on)**

SPECIFICATIONS

- Towbar Class: CL 4 Heavy Duty
- Towing Capacity: 3500kg
- Tow ball Weight: 350kg
- Approx. Fitment Time: 60 Minutes



Scan for latest  
version of these  
instructions

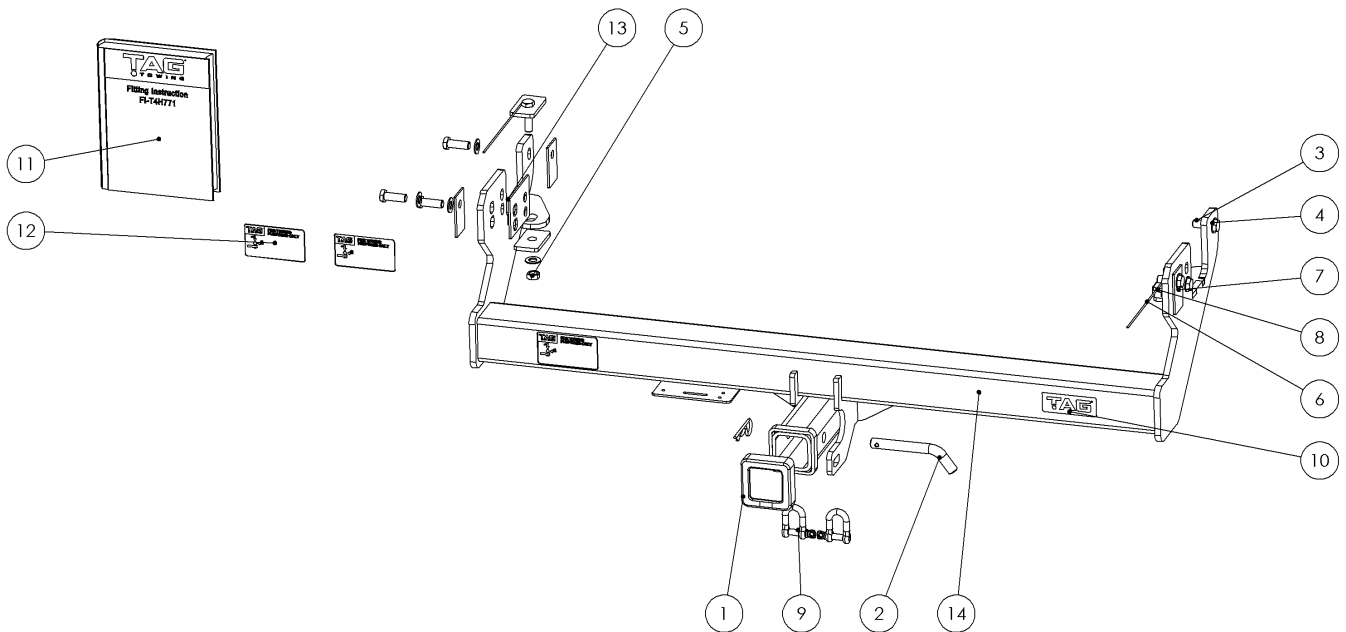
TOOLS REQUIRED

- Spanners
- Sockets
- Air Saw or similar.
- Trim Removal Tool
- Torque Wrench

IN THIS GUIDE

- Fitment Instructions
- Torque Settings
- Warranty Info

# Towbar Assembly



ITEM NO.	DESCRIPTION	QTY.
1	Cover Hitch Receiver Collar TAG	1
2	Class 4 Pin & Clip	1
3	M12x1.25x35 Bolt	6
4	M12 Flat Washer Zinc Clear	8
5	M12x1.25 Nut	2
6	M12x1.25x45 Bolt on Plate on 200mm Wire	2
7	3mm Spacer	4
8	Plate 40x70x6 14mm hole	2
9	TAG D-Shackle - 10mm, 1000kg, Galvanised	2
10	TAG STICKER - 100 X 40	1
11	Fitting Instruction	1
12	TAG Compliance plate	3
13	3mm Spacer - 4 Slots	2
14	Welded Assembly	1

ITEM NO.	DESCRIPTION	QTY.
1	Cover Hitch Receiver Collar TAG	1
2	Class 4 Pin & Clip	1
3	M12x1.25x35 Bolt	6
4	M12 Flat Washer Zinc Clear	8
5	M12x1.25 Nut	2
6	M12x1.25x45 Bolt on Plate on 200mm Wire	2
7	3mm Spacer	4
8	Plate 40x70x6 14mm hole	2
9	TAG D-Shackle - 10mm, 1000kg, Galvanised	2
10	TAG STICKER - 100 X 40	1
11	Fitting Instruction	1
12	TAG Compliance plate	3
13	3mm Spacer - 4 Slots	2
14	Welded Assembly	1

# Important Information



## Warning:

- This product is for towing purposes only and must only be loaded as shown in your vehicle Owner's Manual.
- This towbar is NOT to be drilled, cut, welded, or modified in any way.
- Check behind chassis rail and body panels before drilling to ensure no hazards are present.
- All load ratings shown are under the assumption your trailer has a functional braking system installed.
- When installed in positions other than the one depicted in these instructions the Tow Ball Mount may interfere or obstruct certain features of your vehicle (tailgate opening, Chassis clearance, etc.)

## General:

- Before fitting this towbar read fitting instructions and check installation hardware is correct.
- Check that the towbar is suitable for the vehicle and be wary of any changes to the vehicle design that may conflict with the fitting of this towbar. (Tray, Canopy, Suspension etc.)
- After drilling, blow any filings clear, remove any burrs and treat exposed metal with a rust inhibitor.
- The high tensile fasteners supplied with this product are an integral feature to achieving the specified rating, if replacement is required ensure that fasteners of the same grade (8.8) & quality are used. Contact an authorised TAG distributor or the TAG fitment center - (07) 3208 3022 - if further information is required.

## Towbar Maintenance and Care:

It is recommended, when not in use, the Tow Ball Mount assembly and class 4 Pin and Clip is stored inside the car away from moisture to prevent standing water from forming rust. Inspect to ensure, on regular basis, fasteners are torqued to the specifications below and in good condition.

Ensure that the fitting instructions are read and understood prior to fitment, Following the fitment place these instructions in the vehicle's glovebox after installation is completed.

*Metric Bolt Torque Settings*

Diameter	Pitch	Grade	Torque	Unit		Diameter	Pitch	Grade	Torque	Unit
M8	1.25	8.8	29	Nm		M12	1.25	10.9	125	Nm
M10	1.25	8.8	57	Nm		M12	1.50	10.9	105	Nm
M10	1.50	8.8	44	Nm		M14	1.25	10.9	195	Nm
M12	1.25	8.8	101	Nm		M14	1.50	10.9	165	Nm
M12	1.50	8.8	97	Nm		M16	1.25	10.9	295	Nm
M12	1.75	8.8	77	Nm		M16	1.50	10.9	250	Nm
M14	2.00	8.8	122	Nm		50mm Tow Ball	N/A	N/A	300	Nm
M16	2.00	8.8	190	Nm		70mm Tow Ball	N/A	N/A	750	Nm

## Step 1: Fit Towbar

- Remove the M12 bolts fastening the bumper brackets to each chassis. Bumper may need support to remain in place.
- Lift towbar up to the outside of the chassis rails and outside of bumper brackets. Align holes.
- Secure loosely with M12 bolts and washers into the **rearmost holes** of the towbar endplate and bumper brackets. See photo.
- Add a 3mm packer plate between side plate and chassis at the forward most hole. (Infront of the body mount). Secure loosely with M12 bolts and washers.
- Insert bolt plate on wire into chassis and into hole on underside of chassis. Loosely secure to the bottom of the chassis rail with 6mm washer plates & nuts.
- Align bumper to vehicle.
- Tighten all bolts to the torque specifications on page 3.



# Installation Instructions



---

## Step 2: Fit Ball Mount & Apply Door Label

---

- a. Attach plastic hitch surround to receiver.
- b. Insert ball mount into hitch receiver and secure with the pull pin and R-clip.
- c. Apply one of the compliance labels to the pillar of the driver's door.
- d. Leave the remaining label & fitting instructions in the vehicle handbook



# TAG Warranty Statement



SWD warrants your TAG Towbar for its full product life under the following conditions:

- You can show proof of purchase.
- The towbar has been correctly installed by a suitably qualified installer.
- The towbar has not been modified or abused in any way and has only been used for the purpose intended.
- The towbar was not fitted second hand to your vehicle.

The extent of this warranty includes materials and workmanship used in the manufacture of the towbar and is to the equivalent value of current, full replacement cost.

Nothing stated or implied in this warranty limits in any way, the statutory rights that you may have.

To make a claim visit the original installer in the first instance or, if you are unable to or are not satisfied with their help, then contact us direct by phone on 1300 669122 or visit [www.swd.com.au](http://www.swd.com.au).