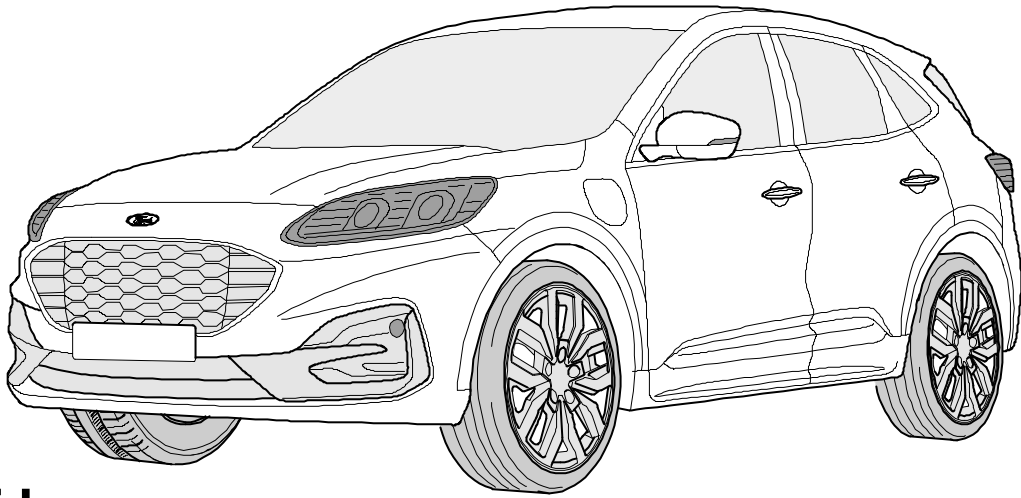




ERICH JAEGER



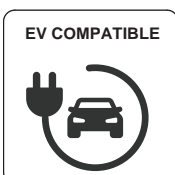
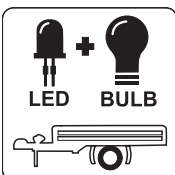
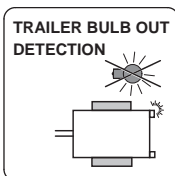
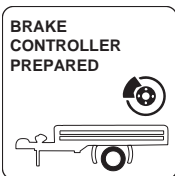
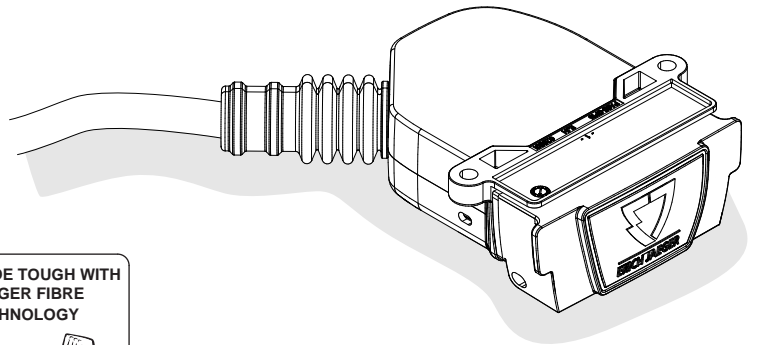
750109EJ

FORD Escape

12/19 >>

FORD Escape PHEV

05/20 >>



Reference:

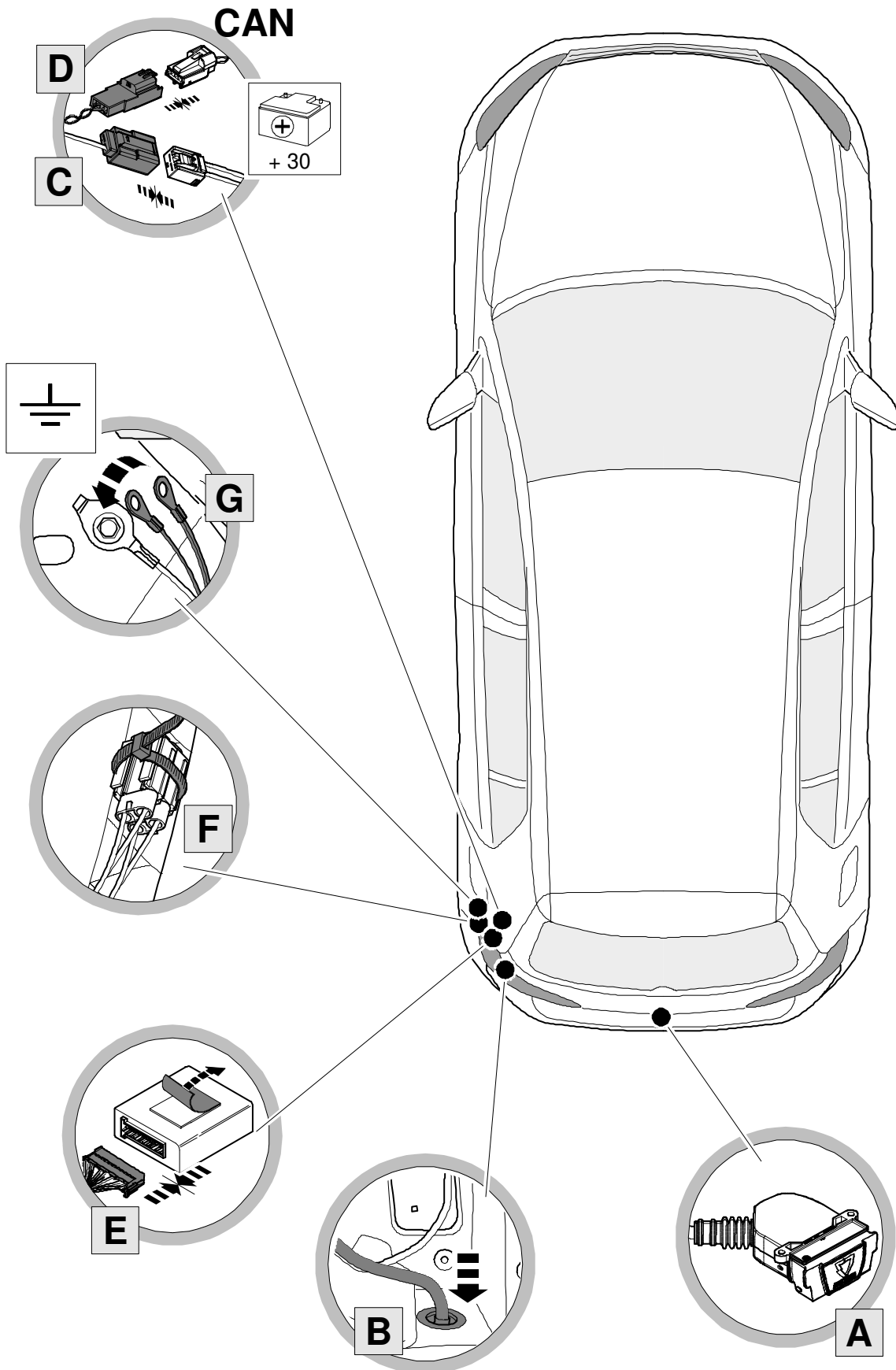
The following information must be reviewed before beginning the assembly:

The installation instructions are to be thoroughly read.

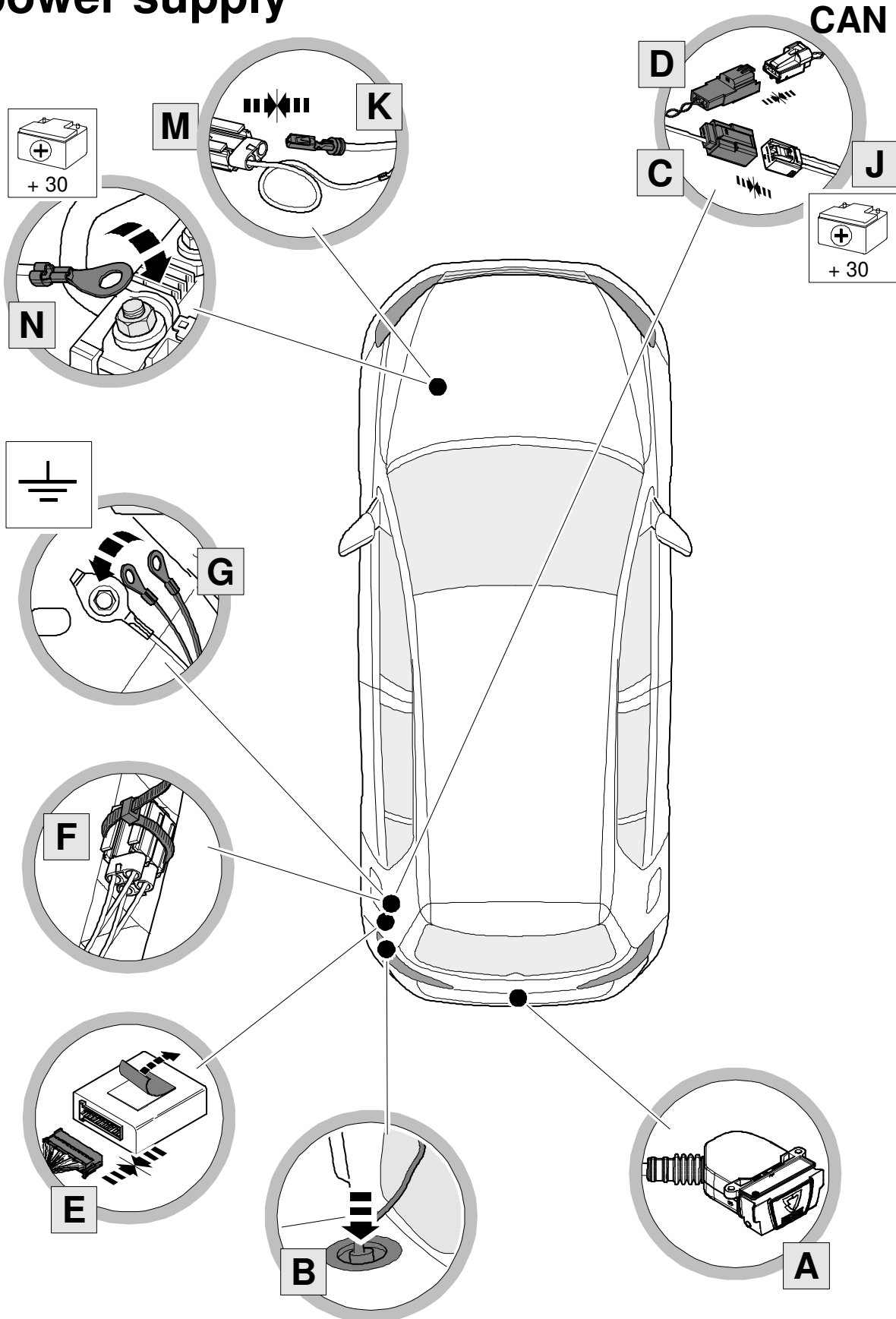
The installation should be carried out by qualified personnel with the relevant technical knowledge. The vehicle manufacturers' current technical notices and information on retrofitting must be followed. The removal and replacement instructions found in the current repair manuals must be followed.

It must be ensured that the vehicle is technically suitable for the installation of a trailer hitch.

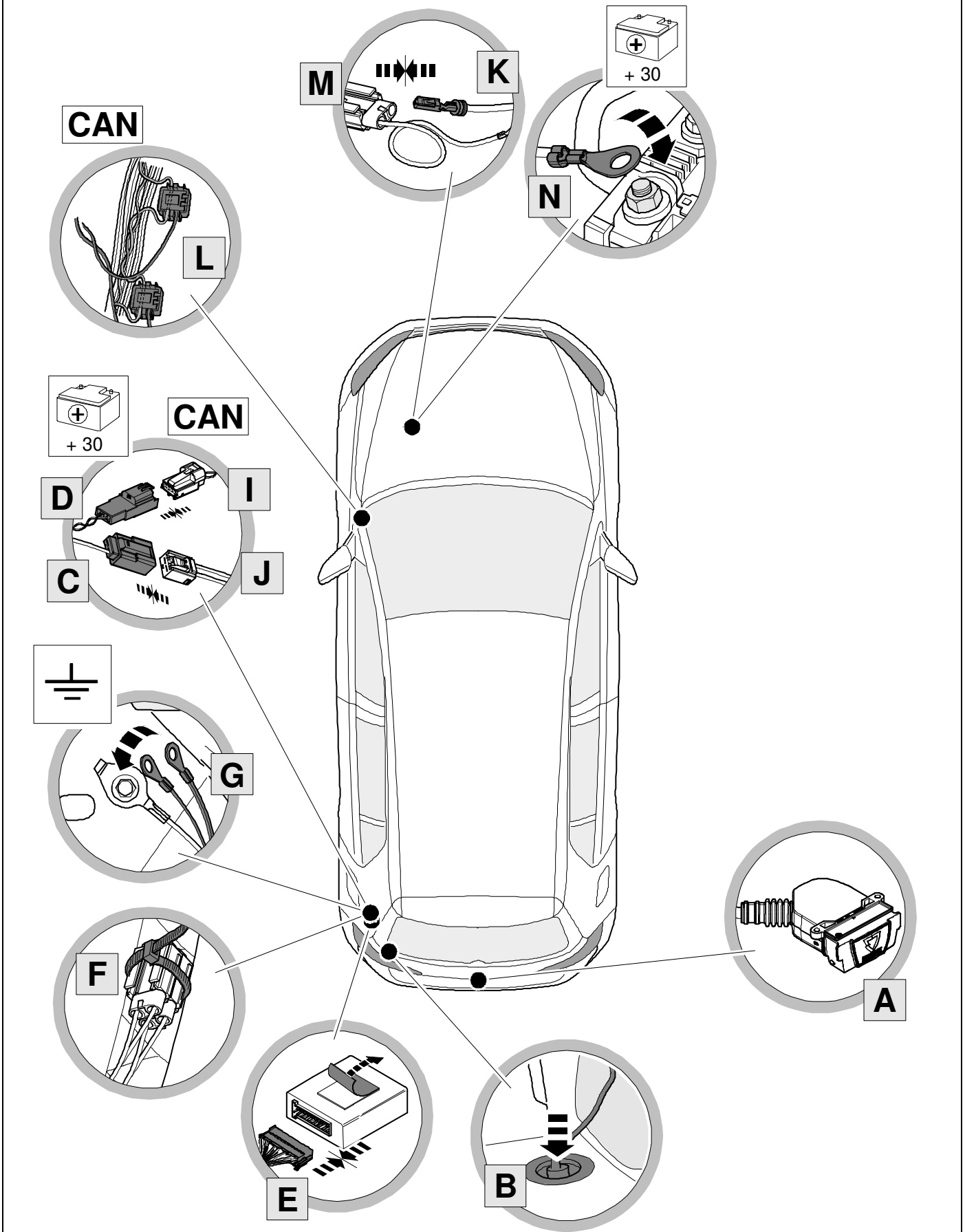
Vehicle with preparation (full function)



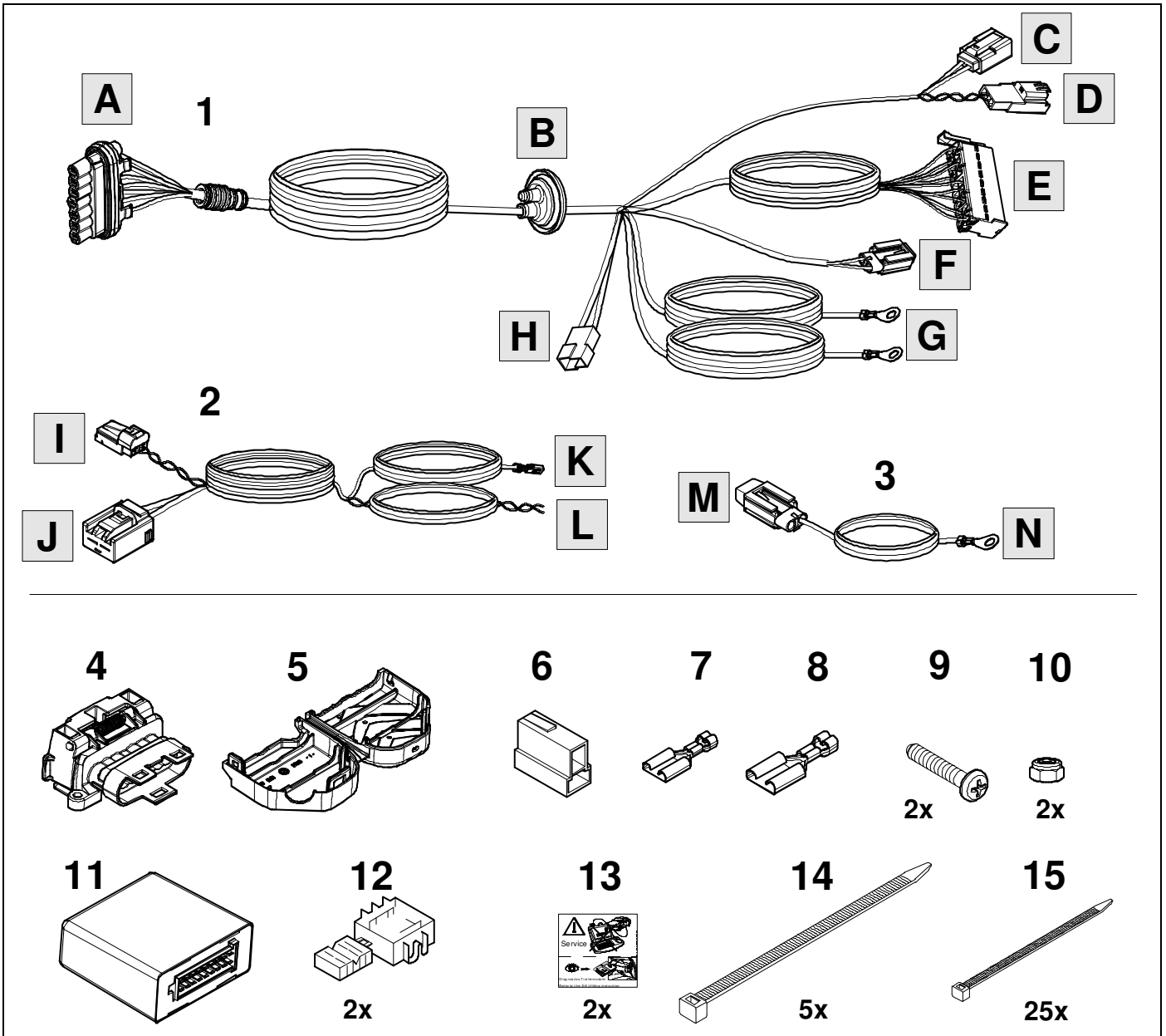
Vehicle with preparation except power supply



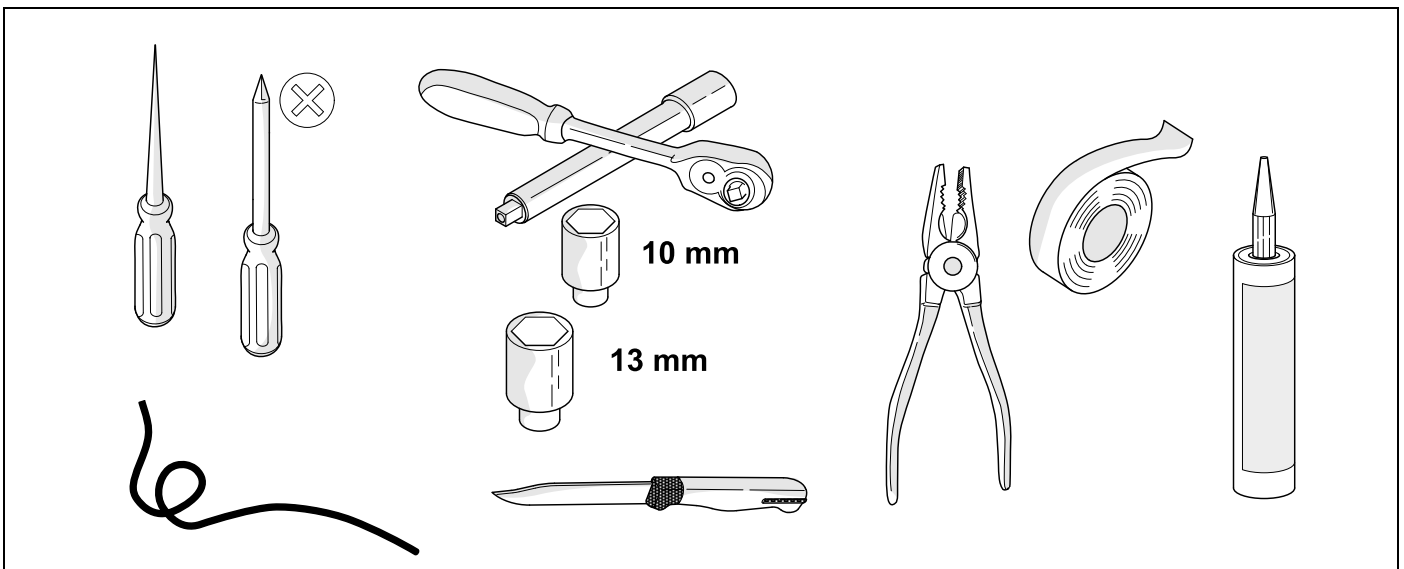
Vehicle without preparation



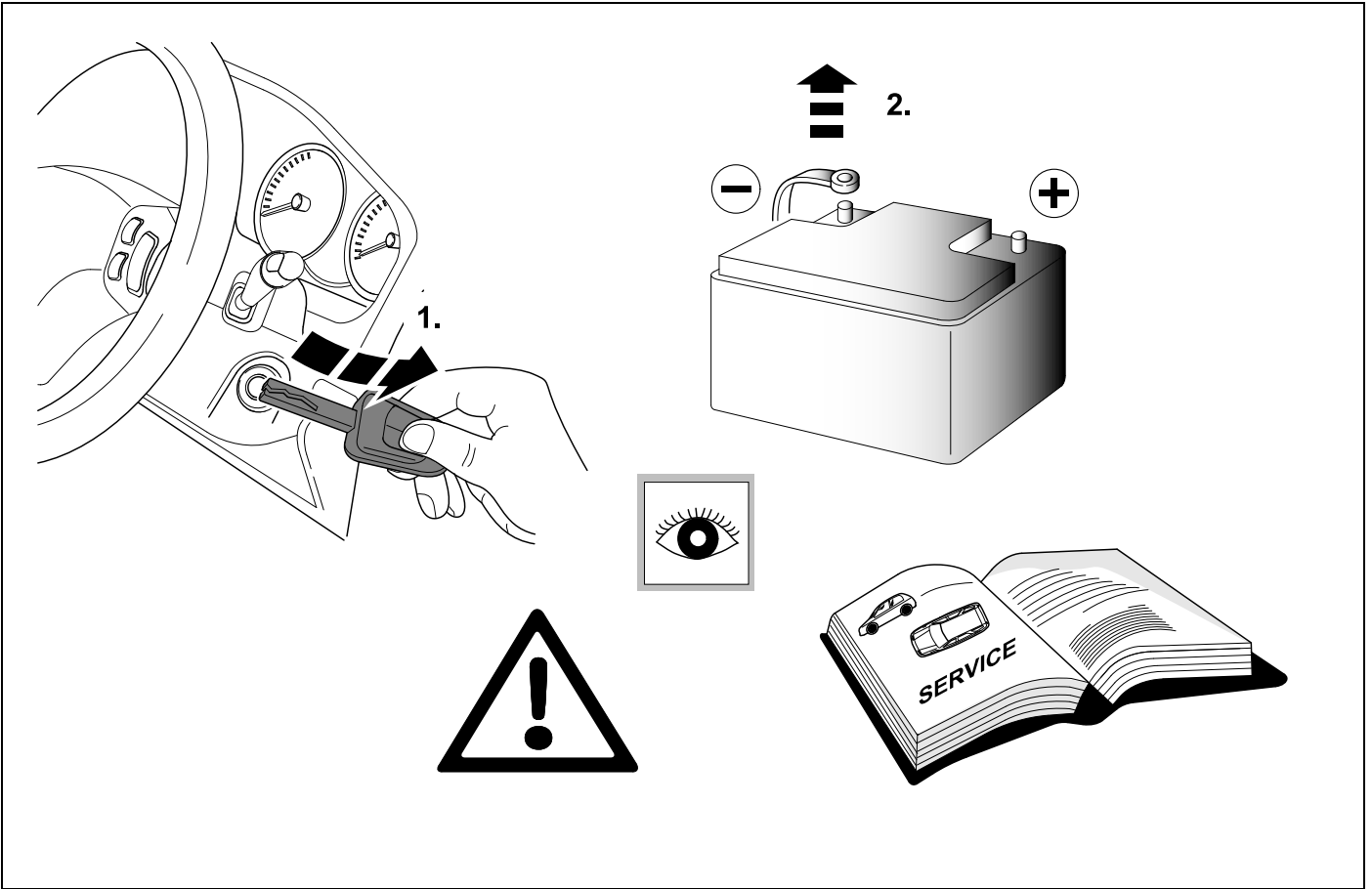
KIT



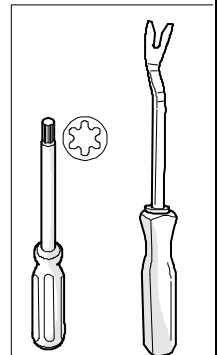
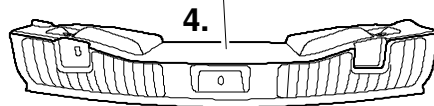
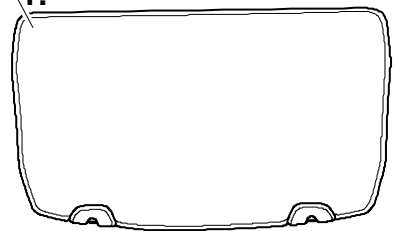
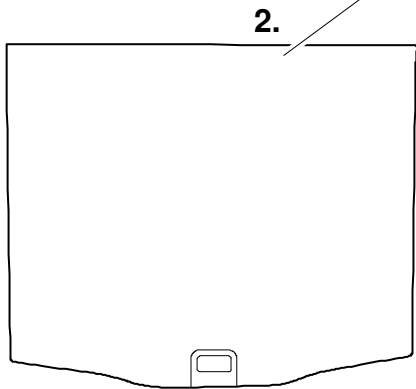
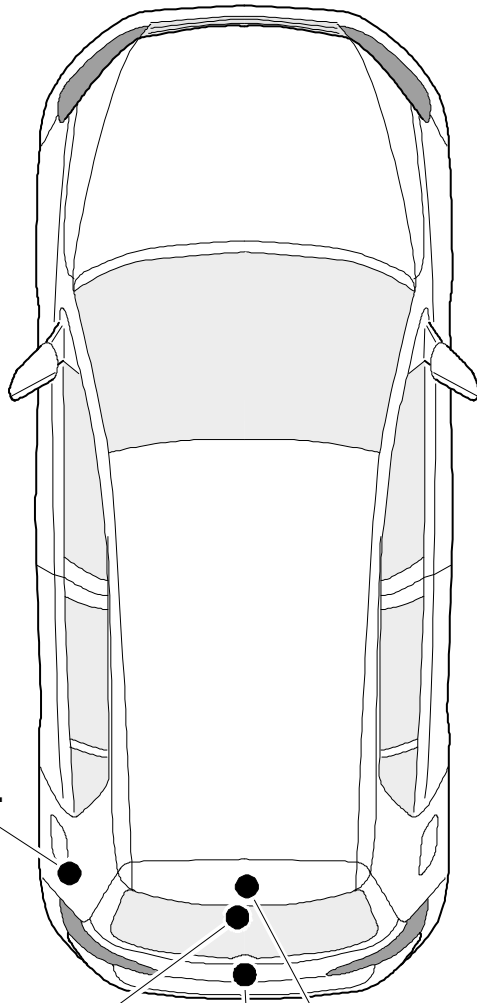
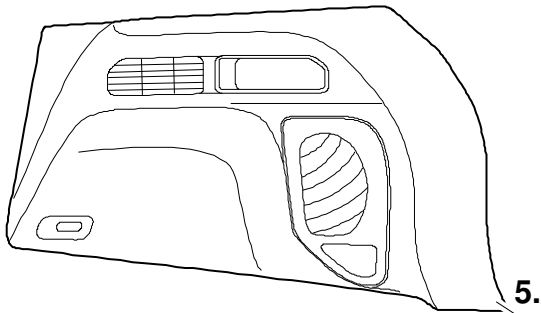
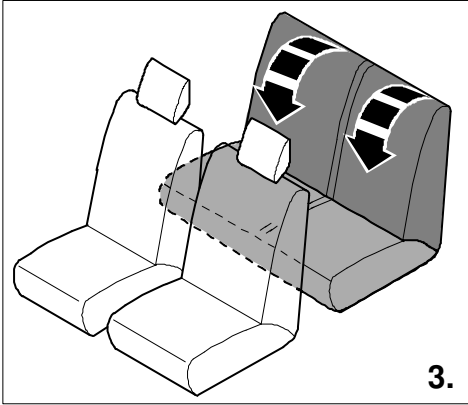
TOOLS



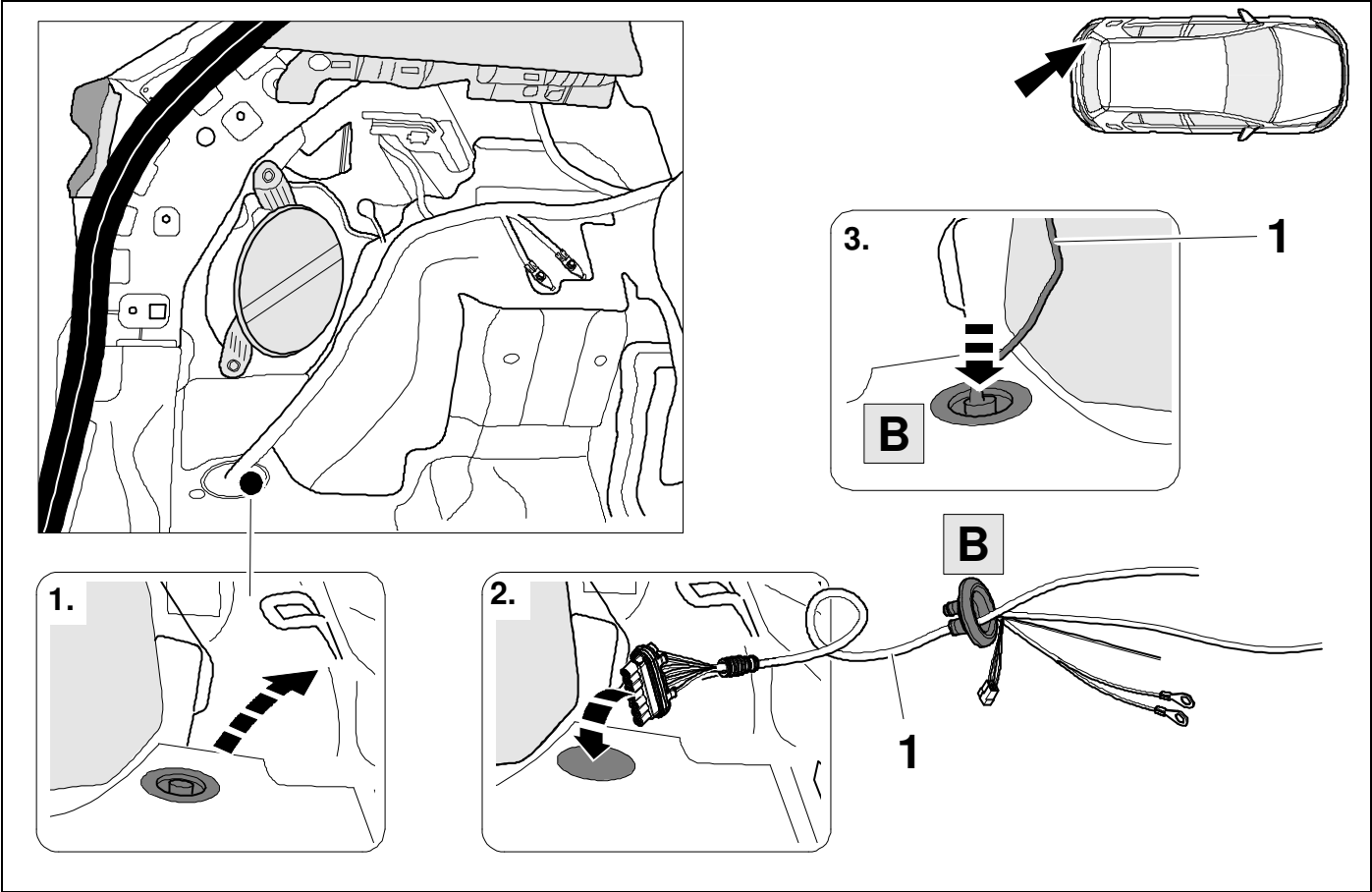
1



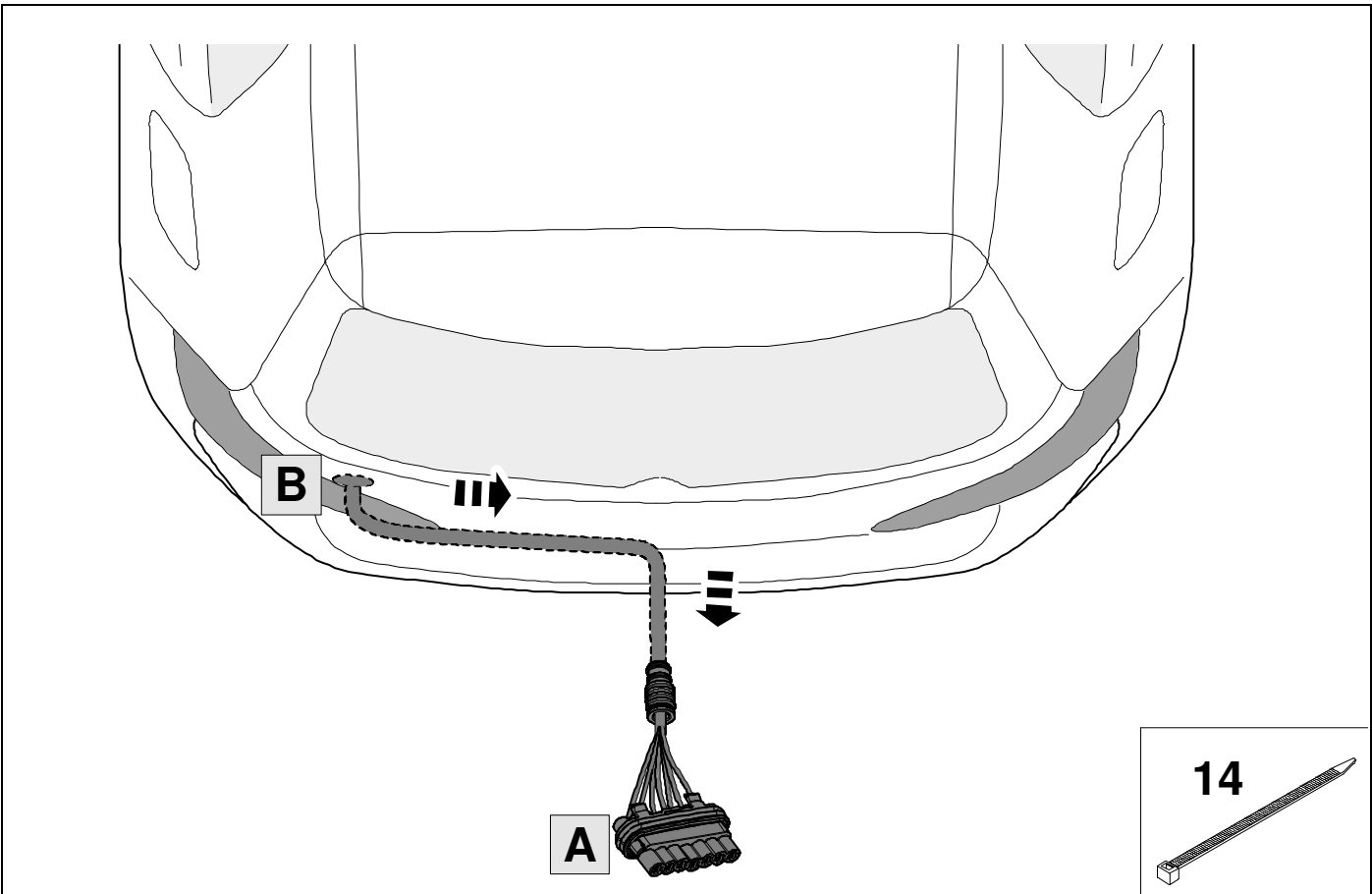
2 REMOVE



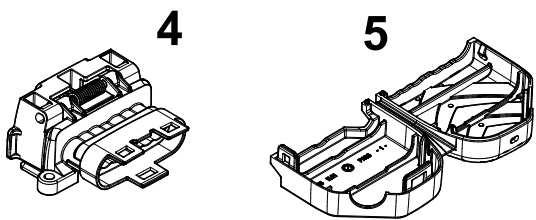
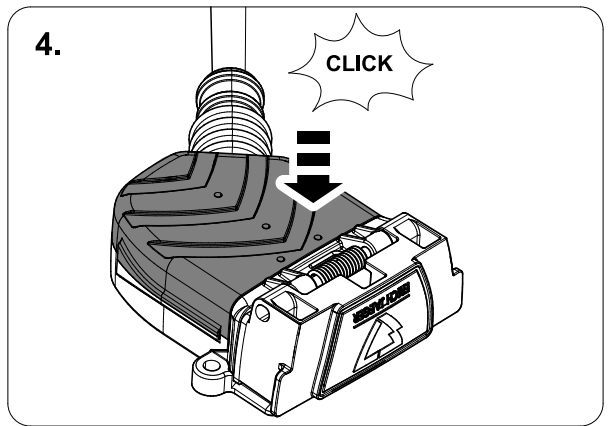
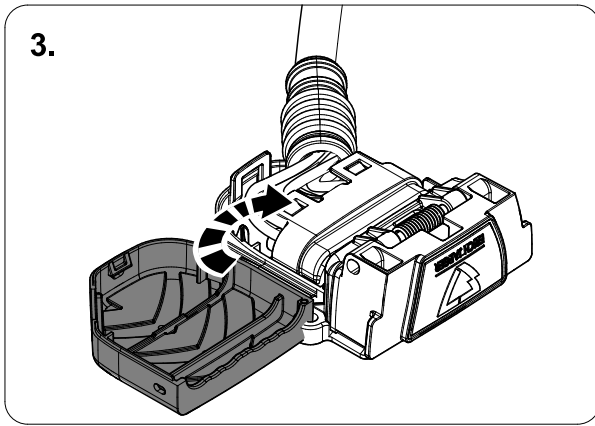
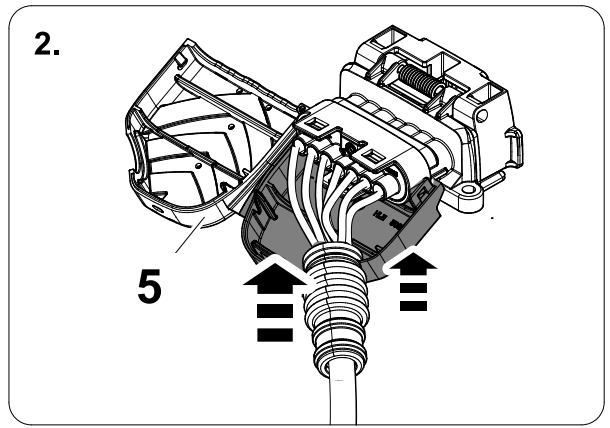
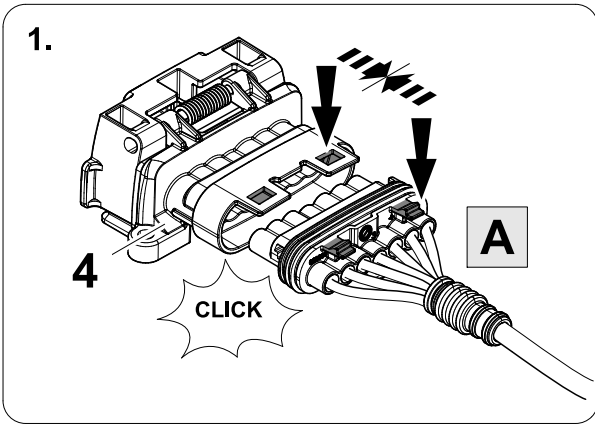
3



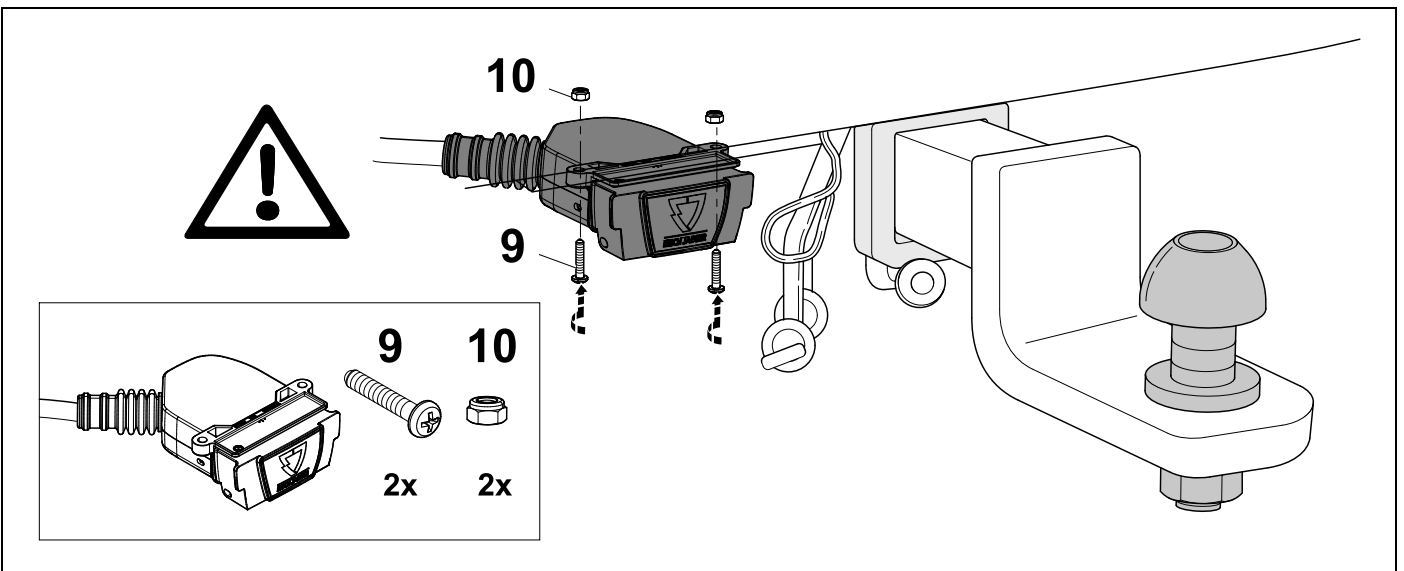
4



5



6



7



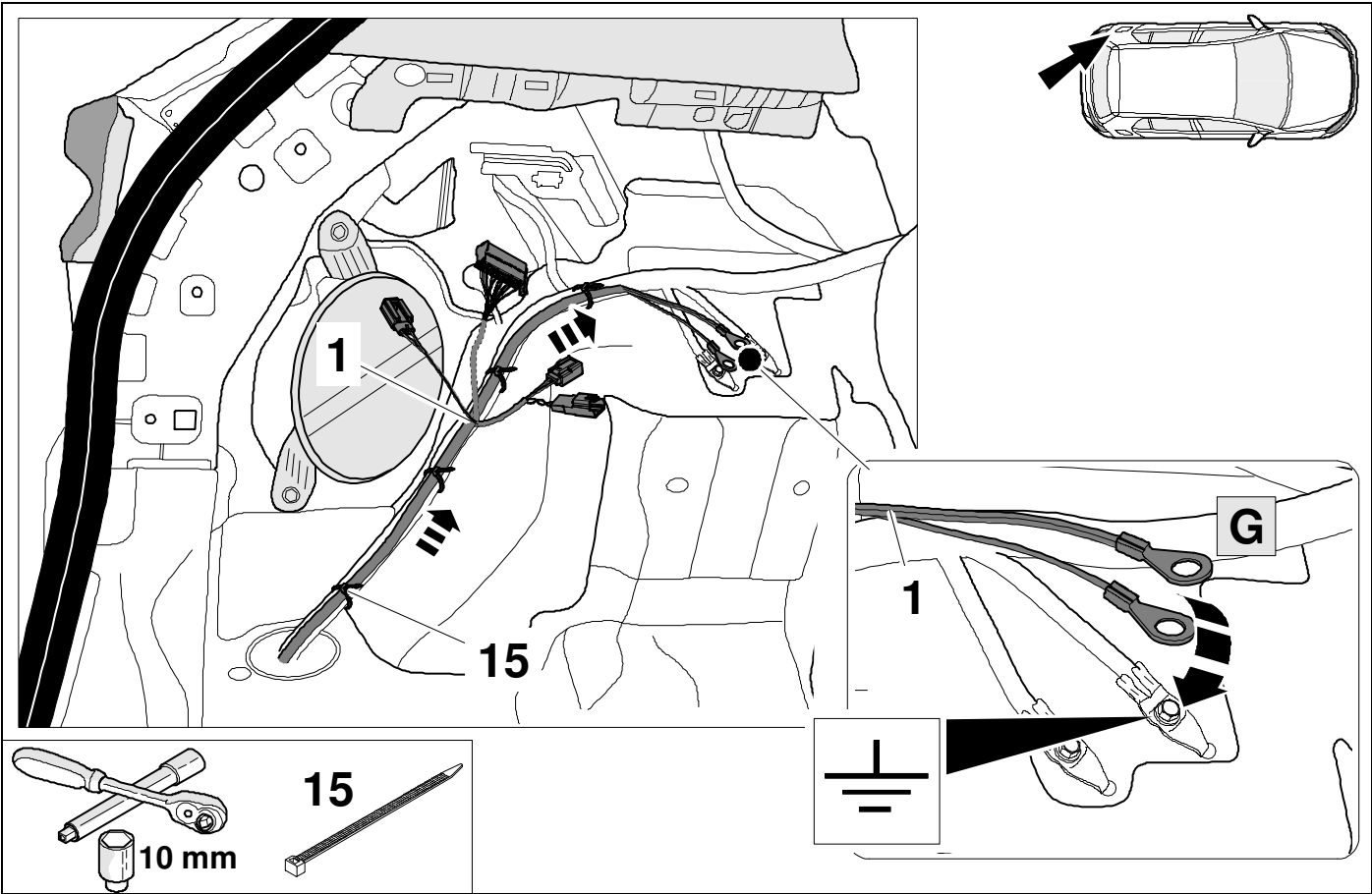
8

1	ye	
2	bk	
3	wh	
4	gn	
5	bu	
6	rd	
7	bn	

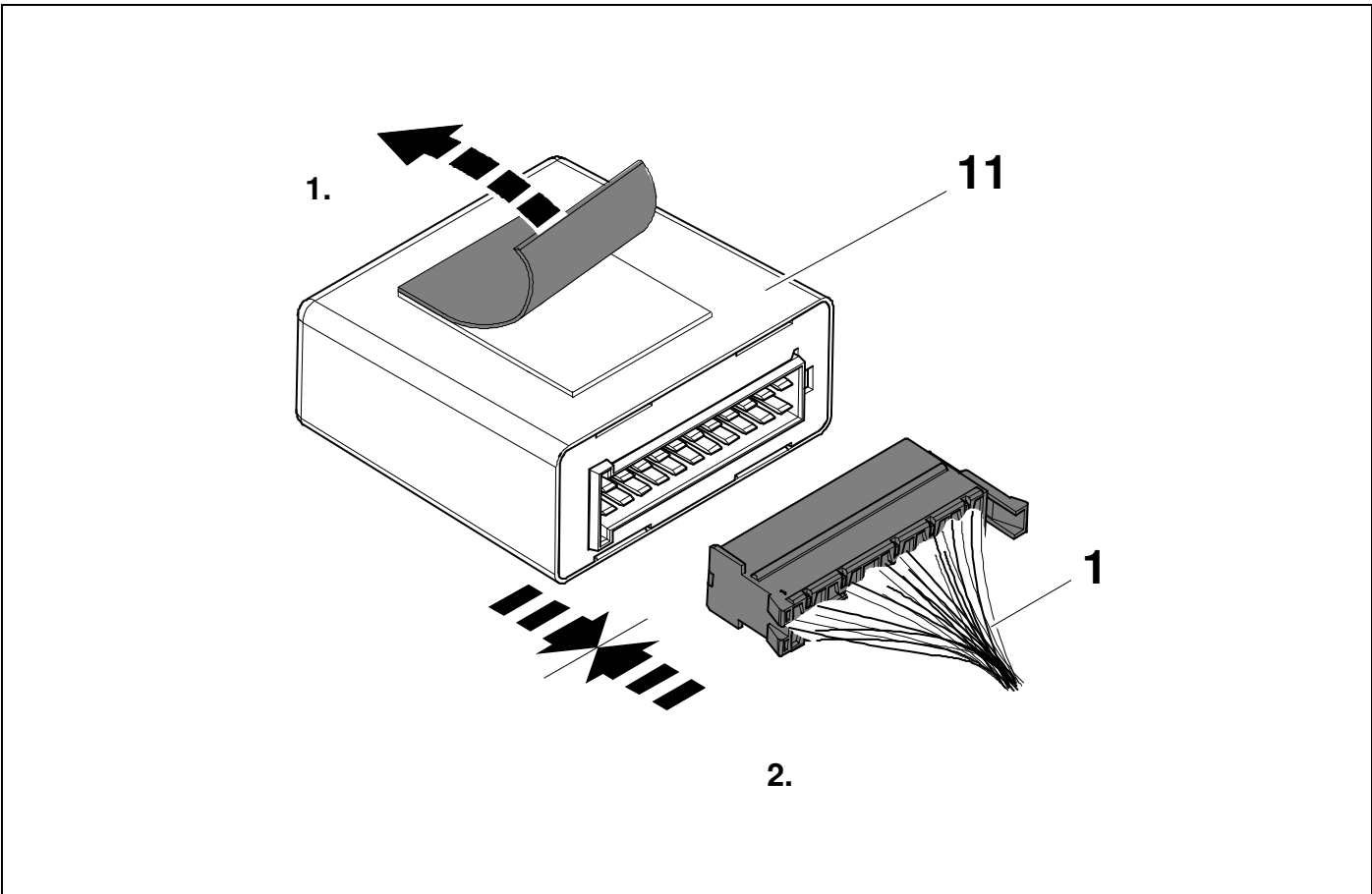
8	bk	wh	gy	gn	rd	bu	ye	bn	pu	or	no
---	----	----	----	----	----	----	----	----	----	----	----

	black	white	grey	green	red	blue	yellow	brown	purple	orange	not occupied
--	-------	-------	------	-------	-----	------	--------	-------	--------	--------	--------------

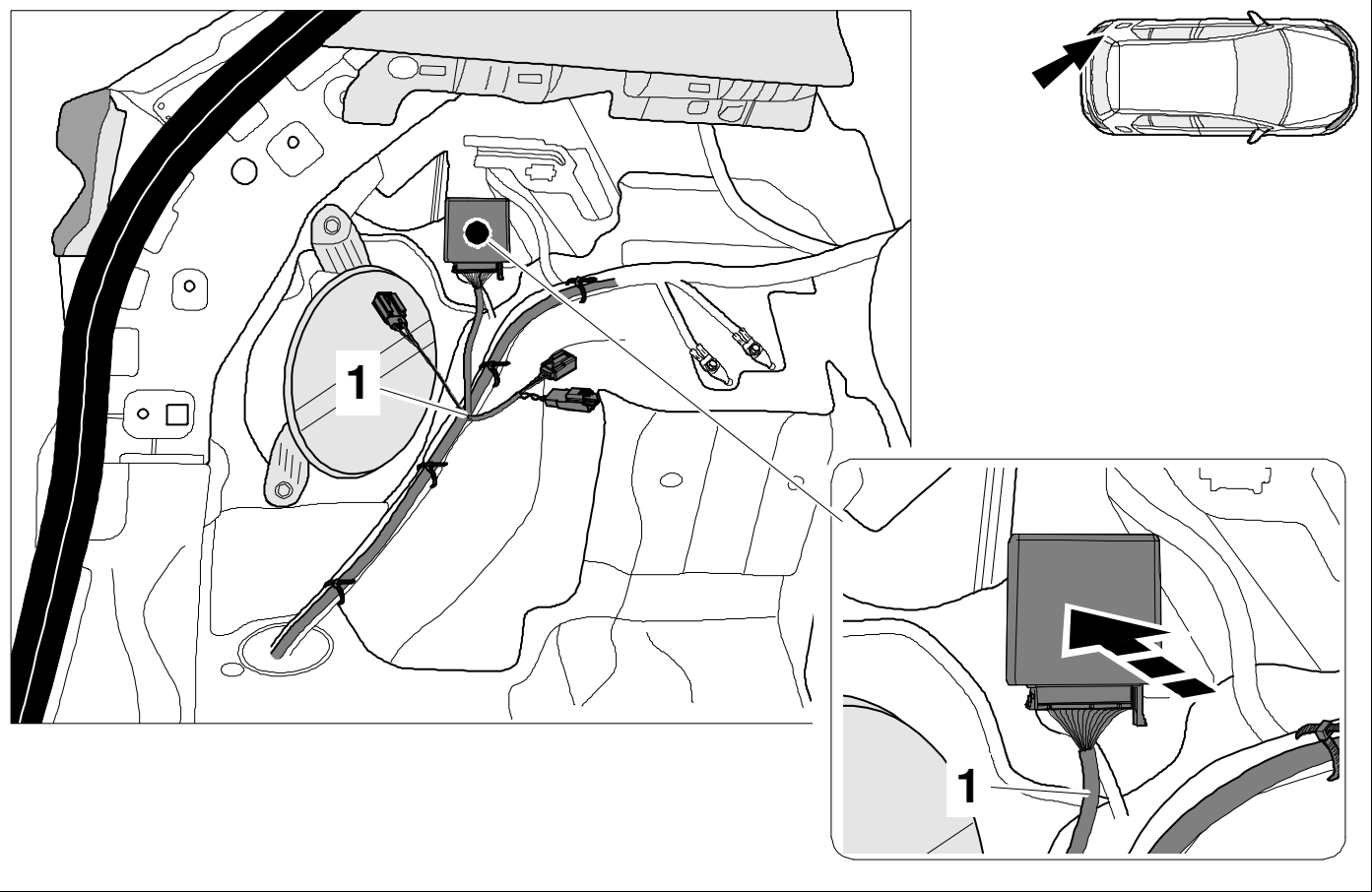
9



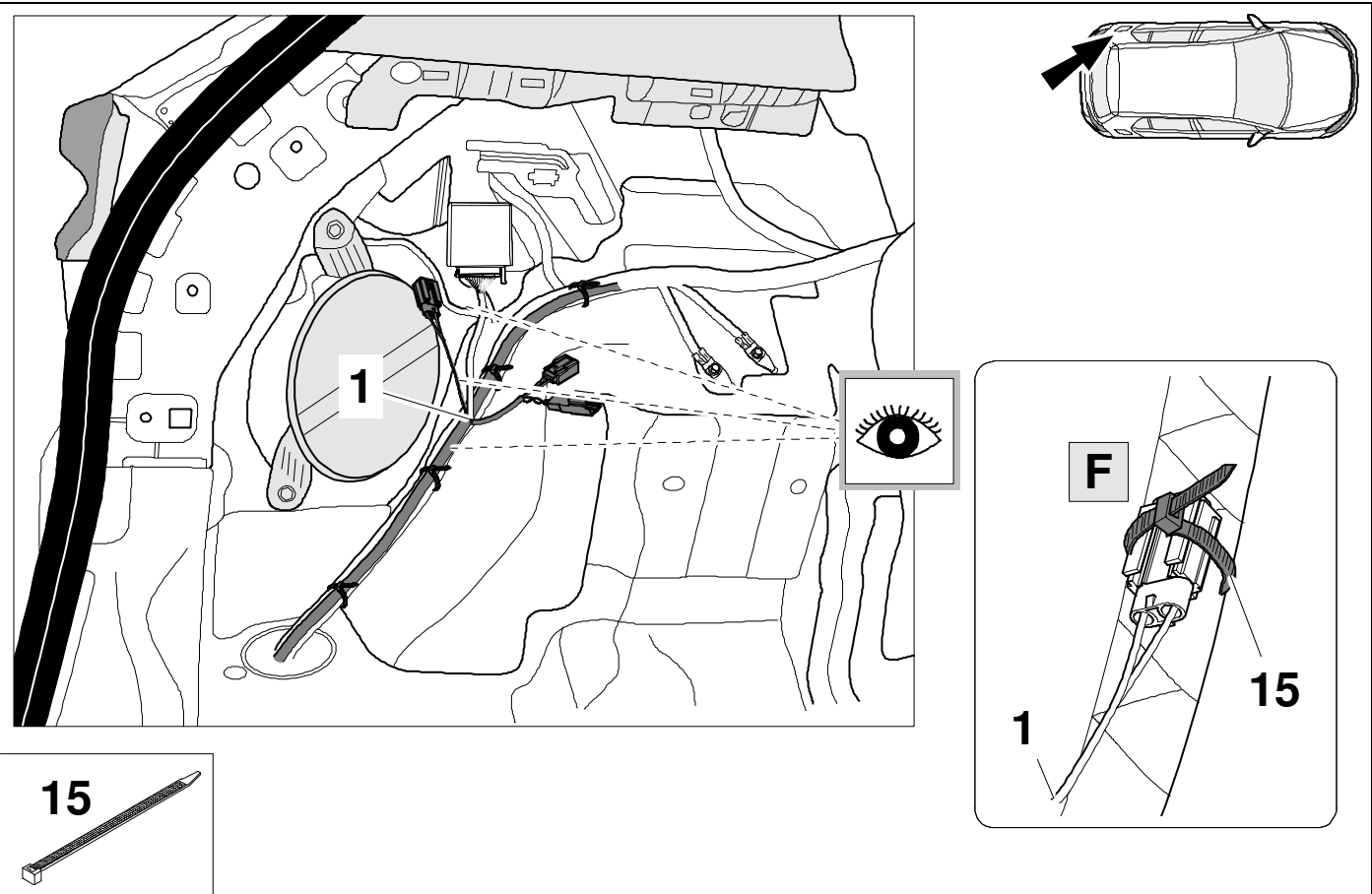
10

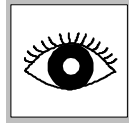
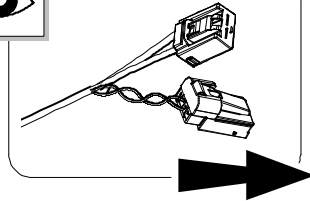
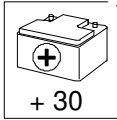
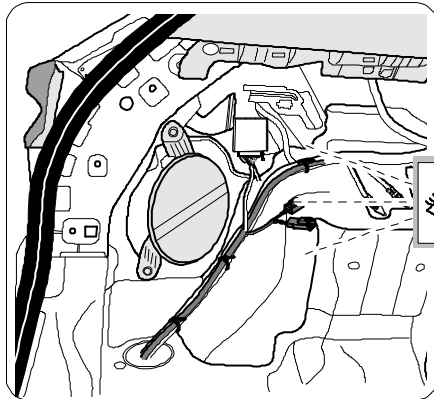


11



12





OPTION 1

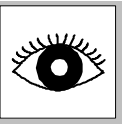
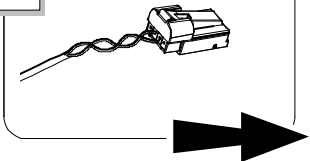
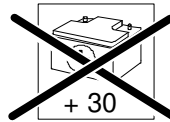
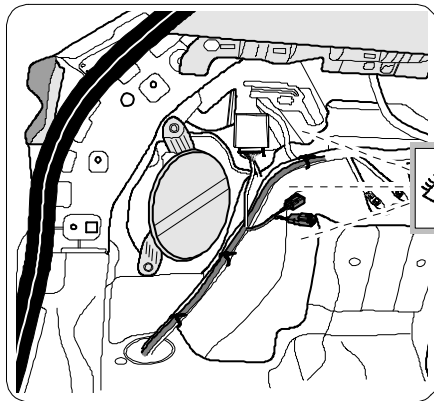
14

+

31

-

37



OPTION 2

15

-

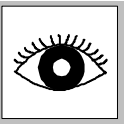
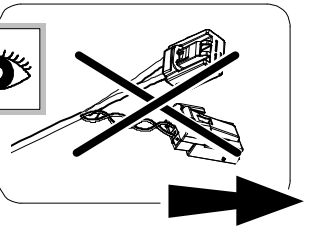
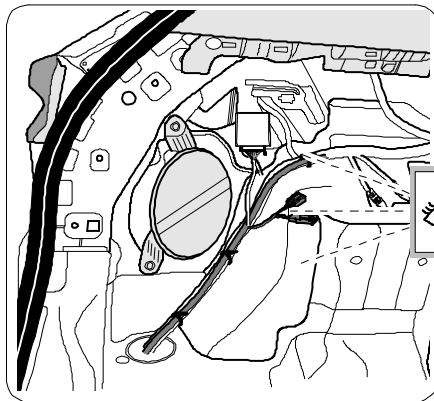
22

+

31

-

37



OPTION 3

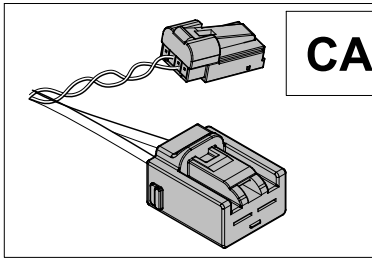
23

-

37

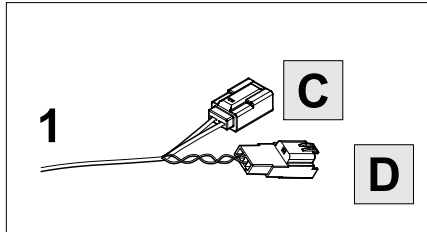
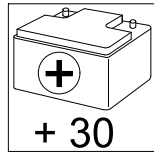
14

OPTION 1



CAN

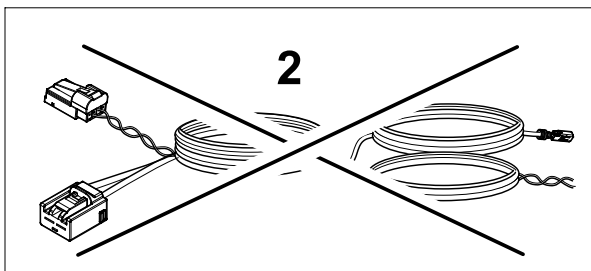
Hot all times!



1

C

D

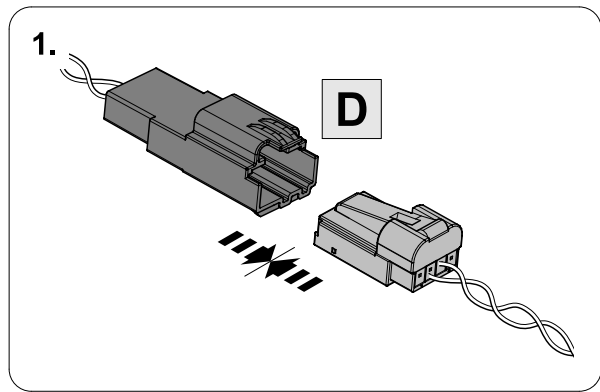


2

I

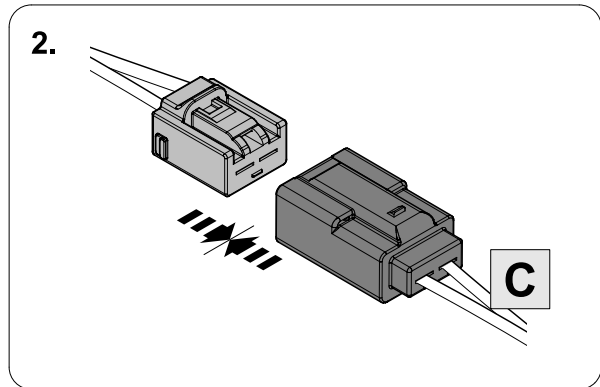
2

J



1.

D

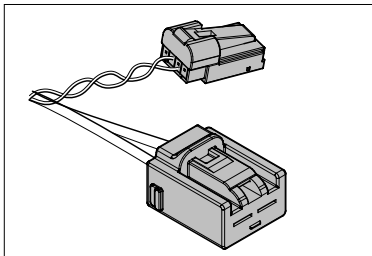


2.

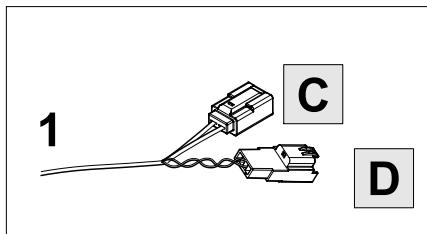
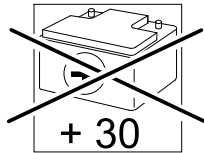
C

15

OPTION 2



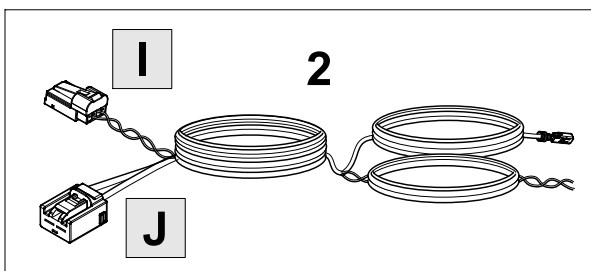
Hot all times!



1

C

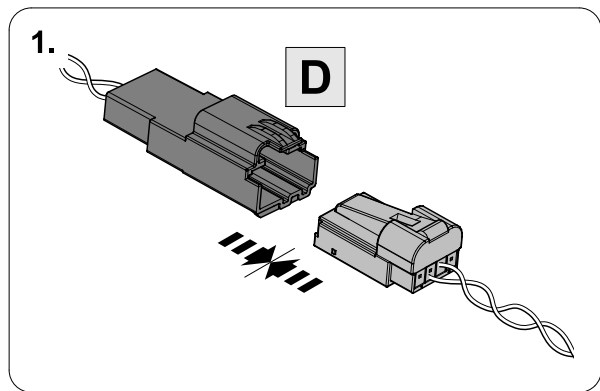
D



I

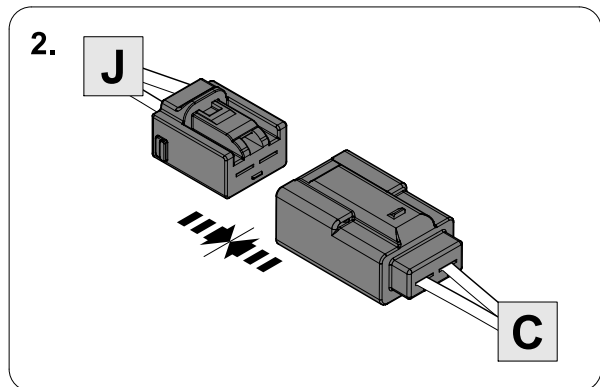
2

J



1.

D



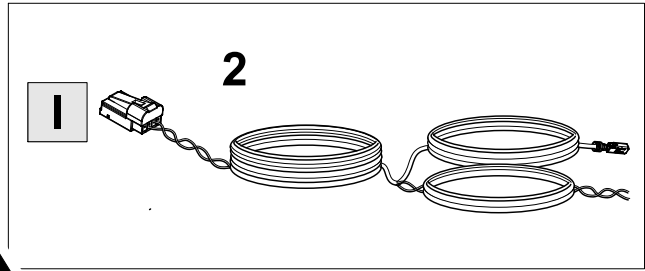
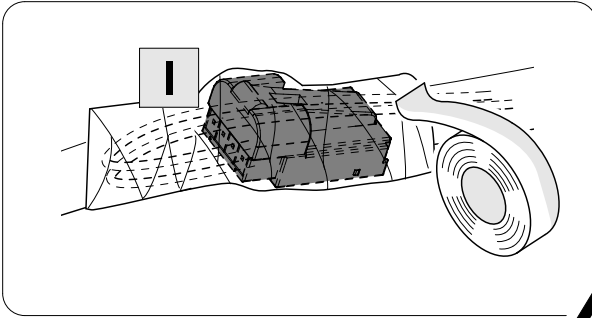
2.

J

C

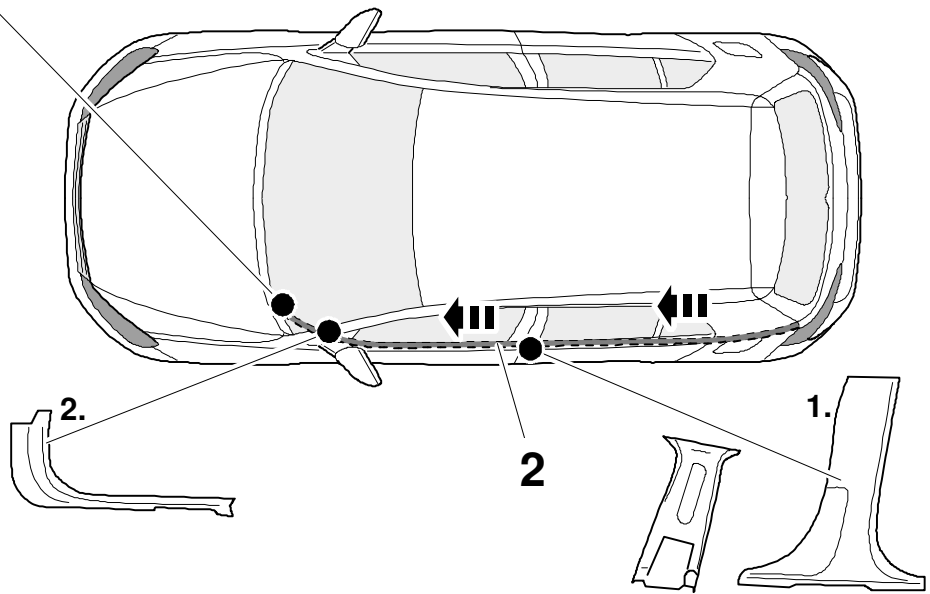
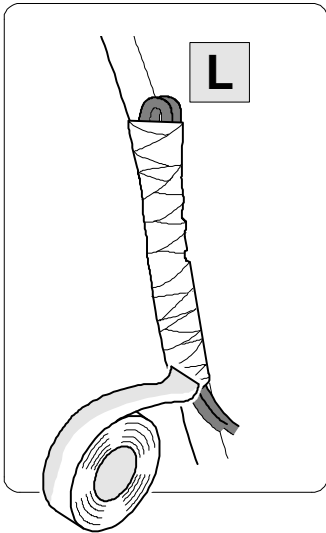
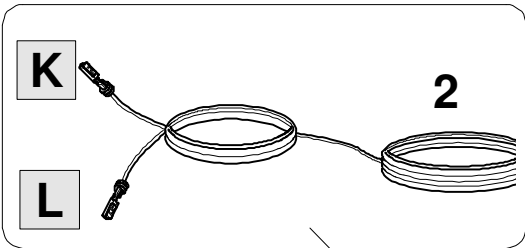
16

OPTION 2



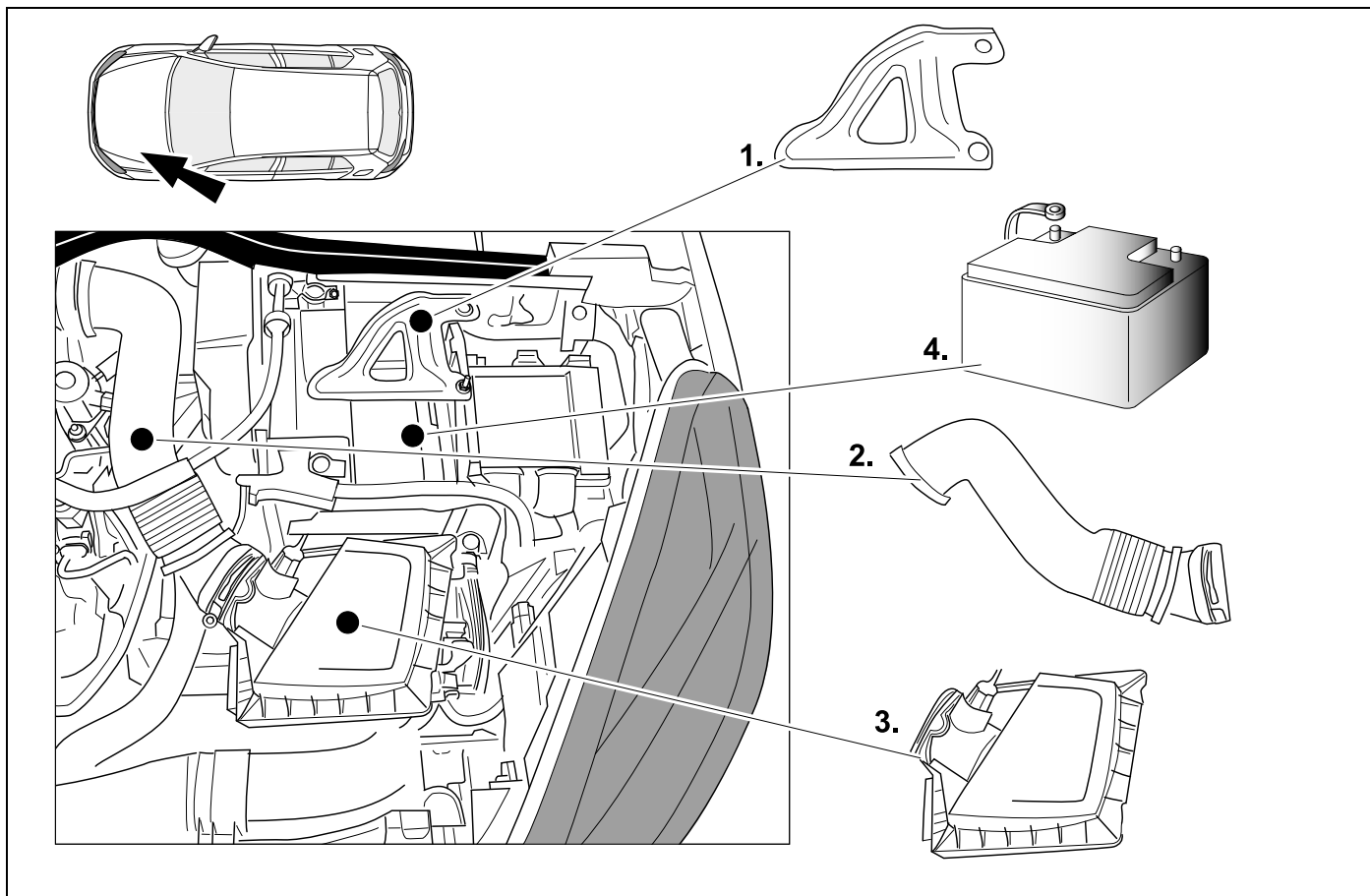
17 REMOVE

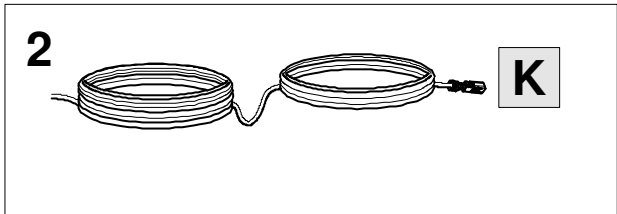
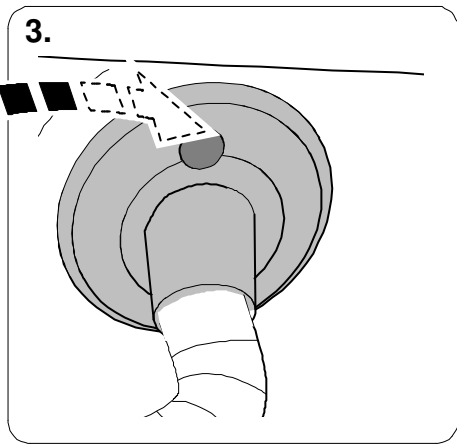
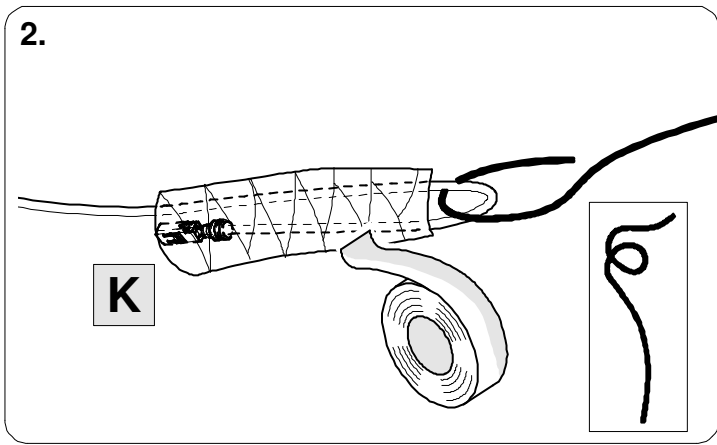
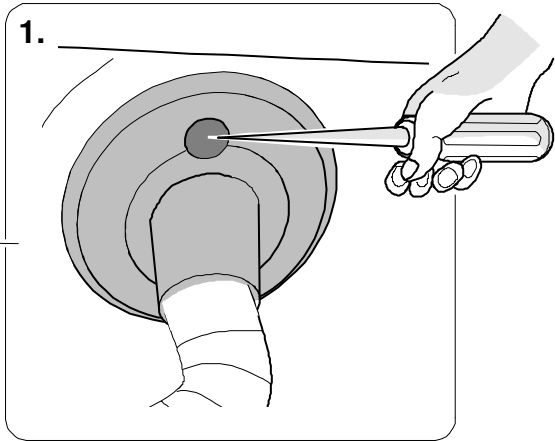
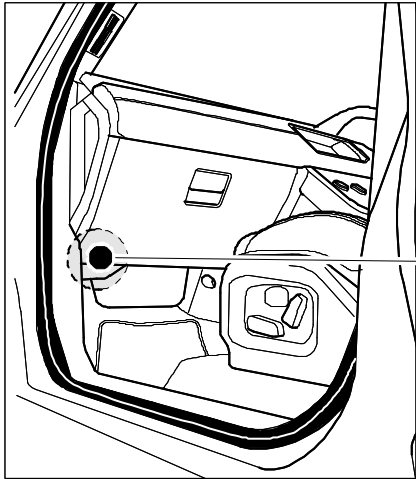
OPTION 2

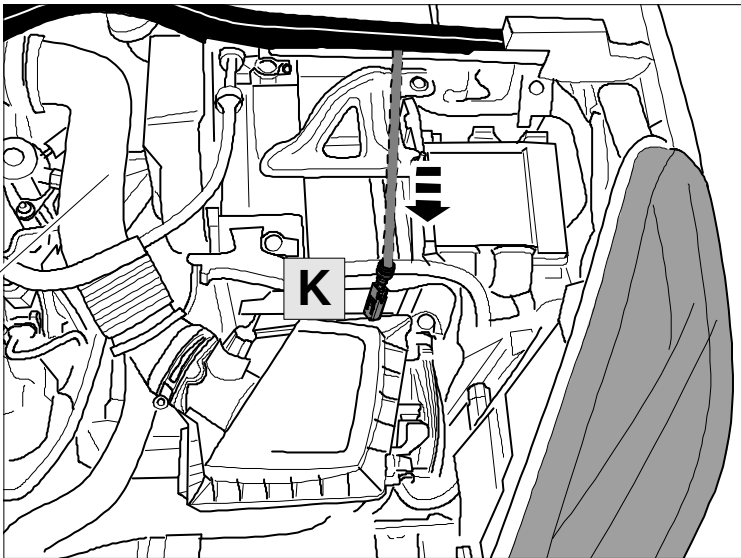
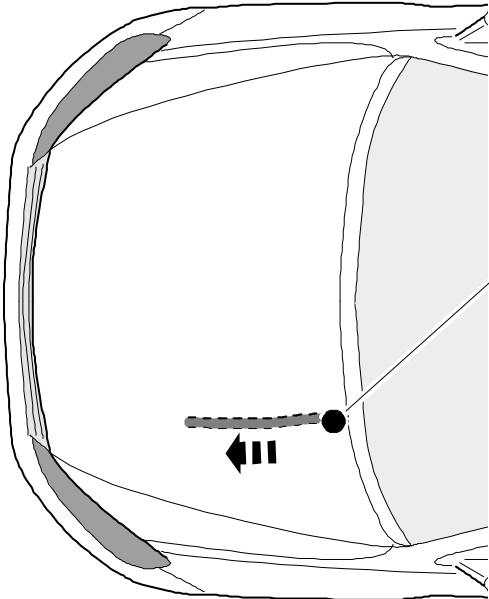


18 REMOVE

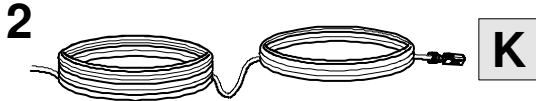
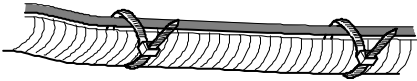
OPTION 2







original wiring

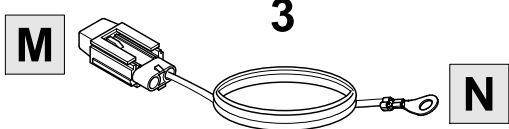
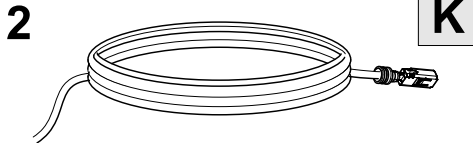
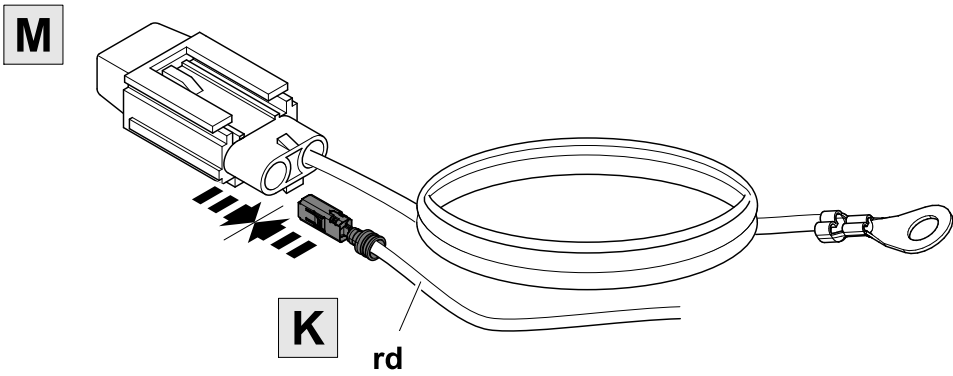


⇒

8

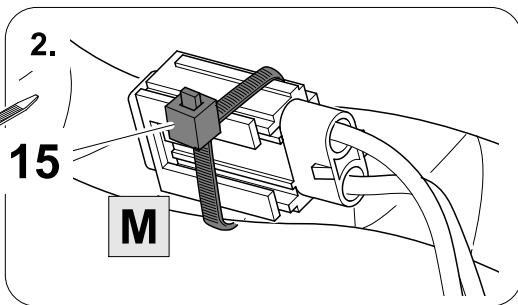
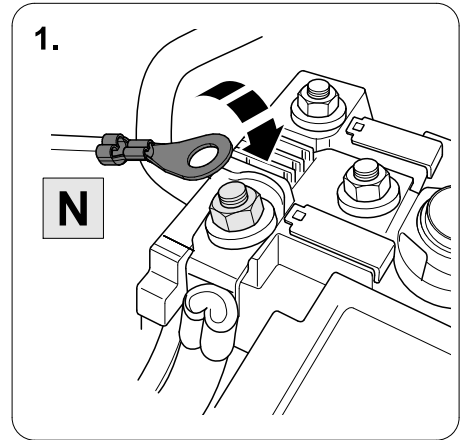
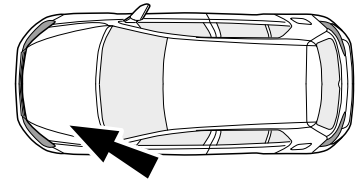
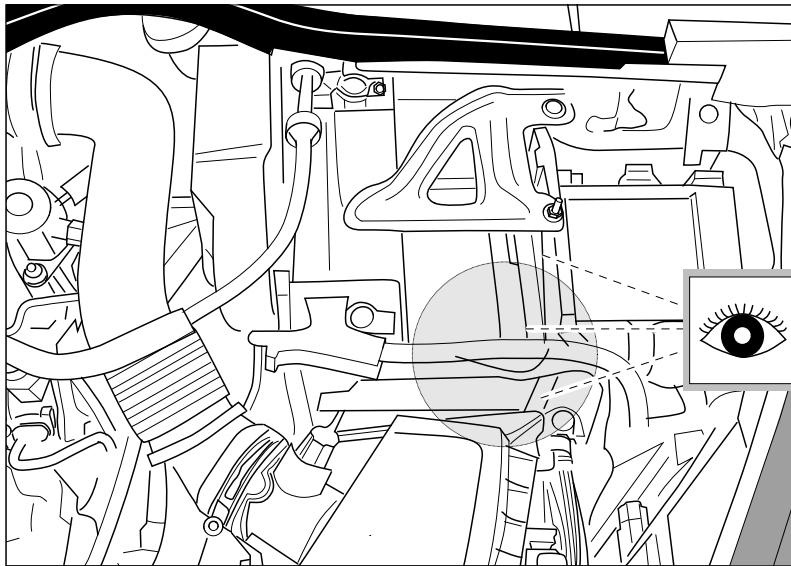
+

34

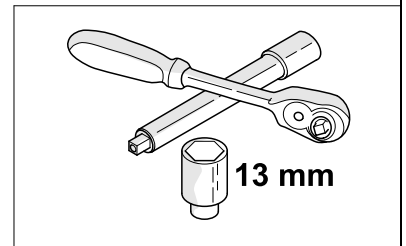
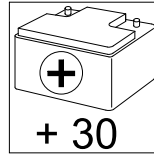




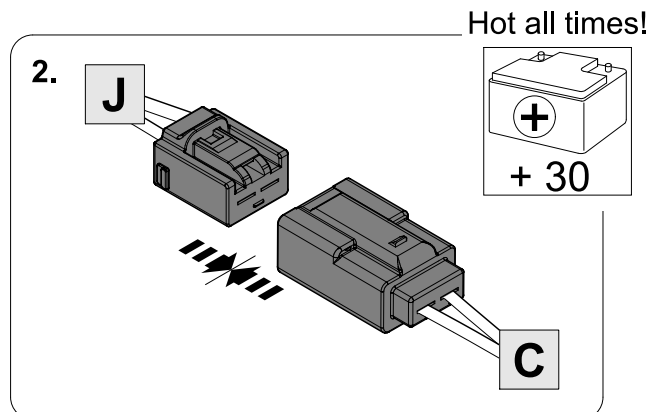
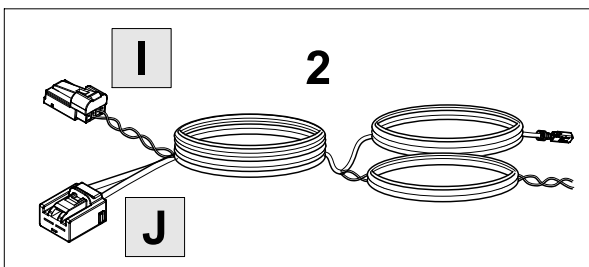
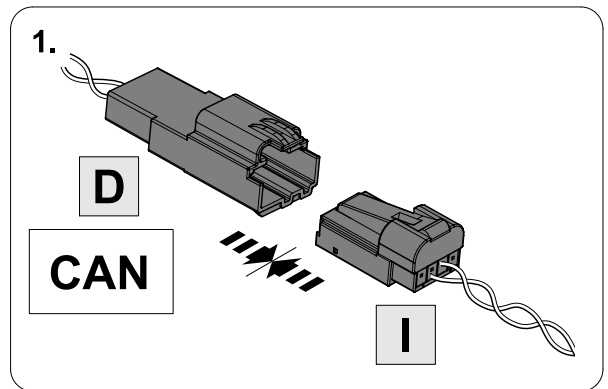
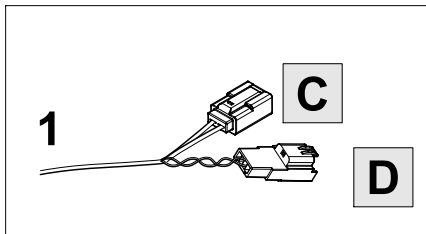
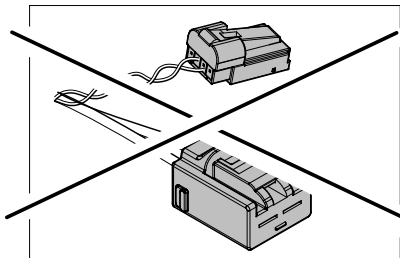
OPTION 2



Hot all times!

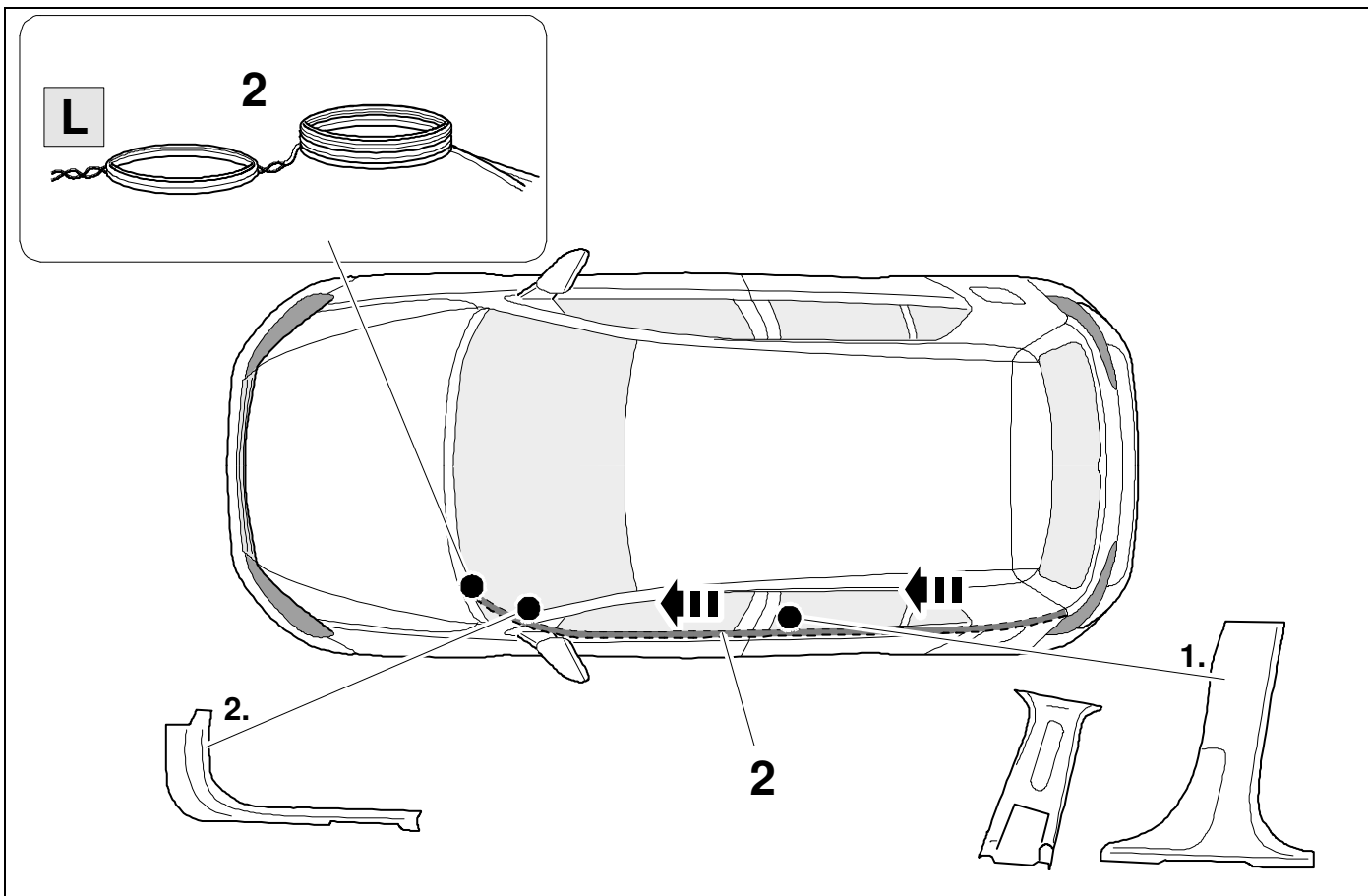


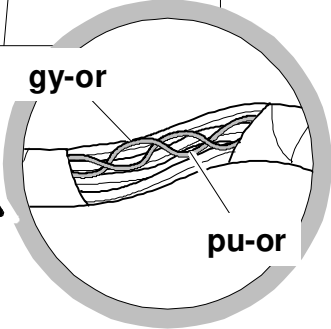
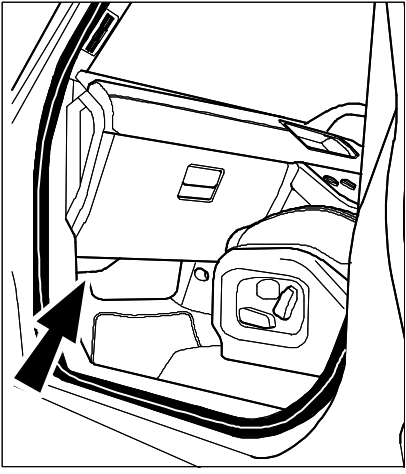
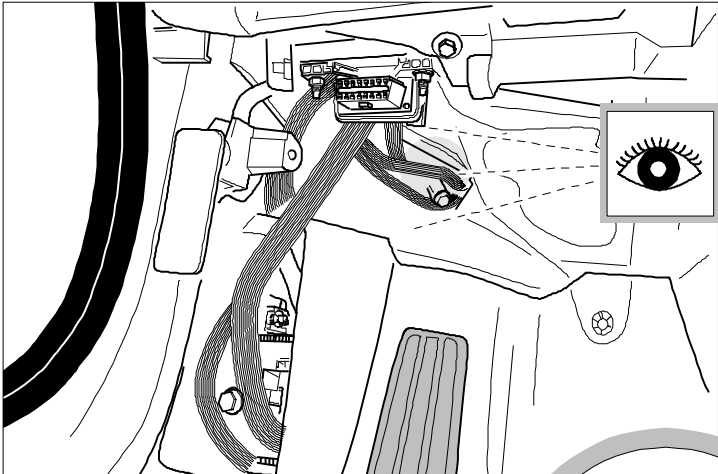
OPTION 3



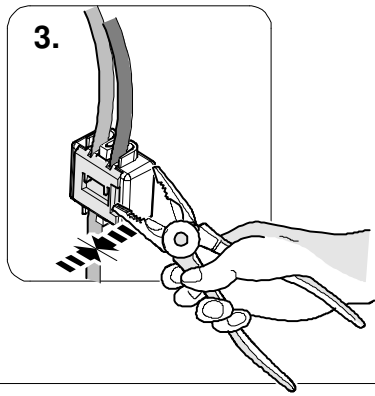
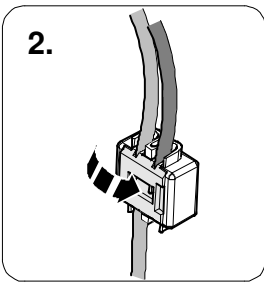
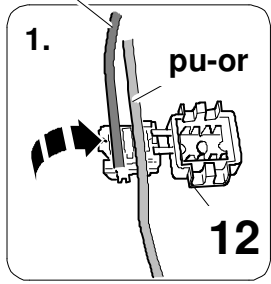
24 REMOVE

OPTION 3

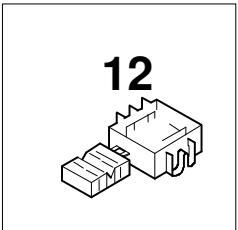
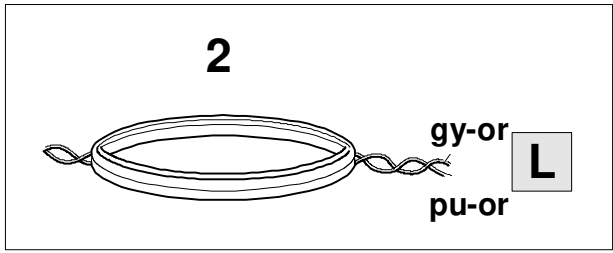
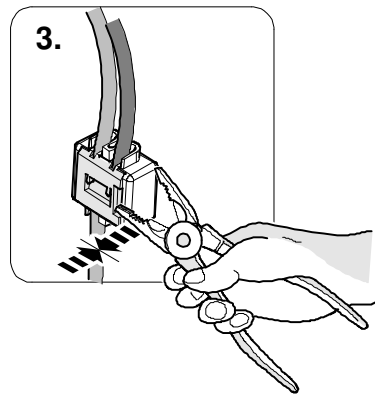
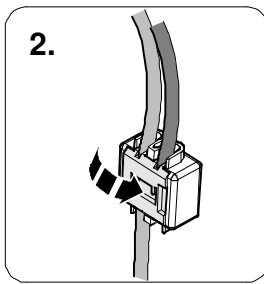
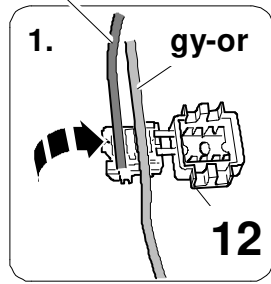




pu-or L

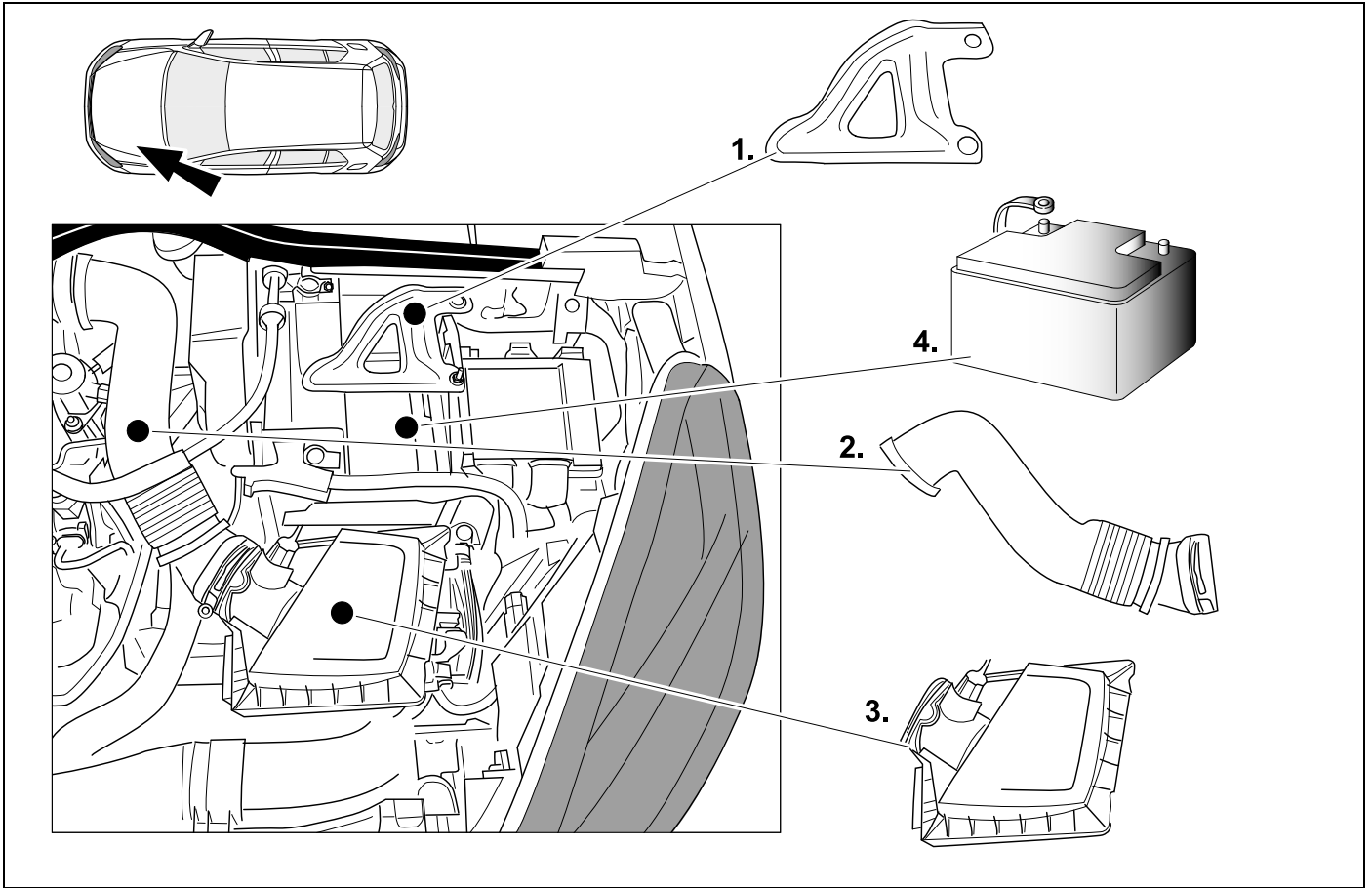


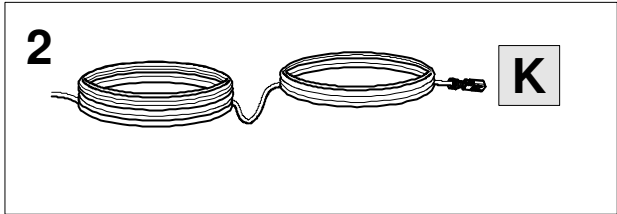
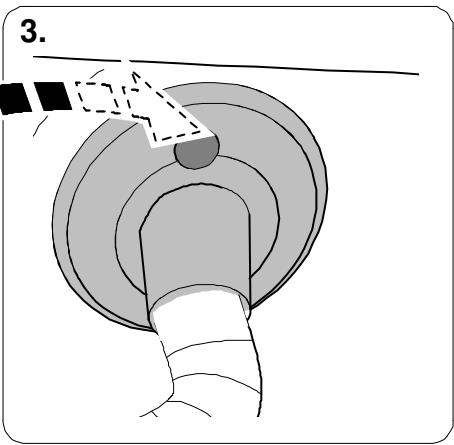
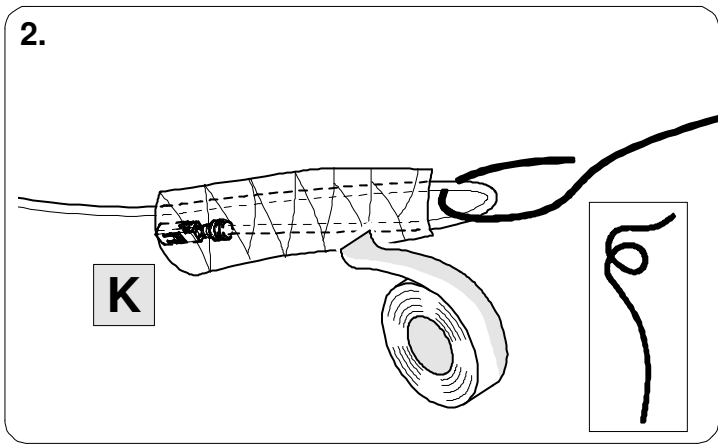
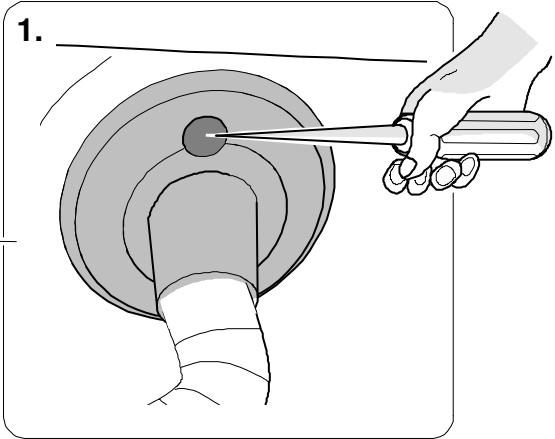
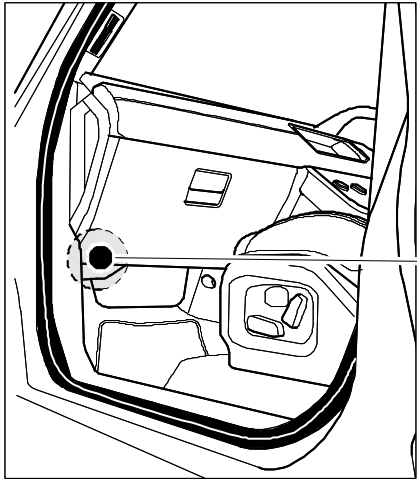
gy-or L

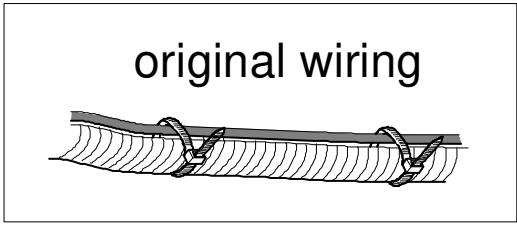
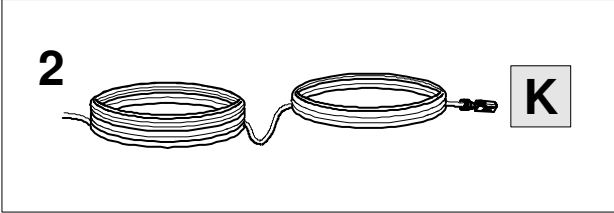
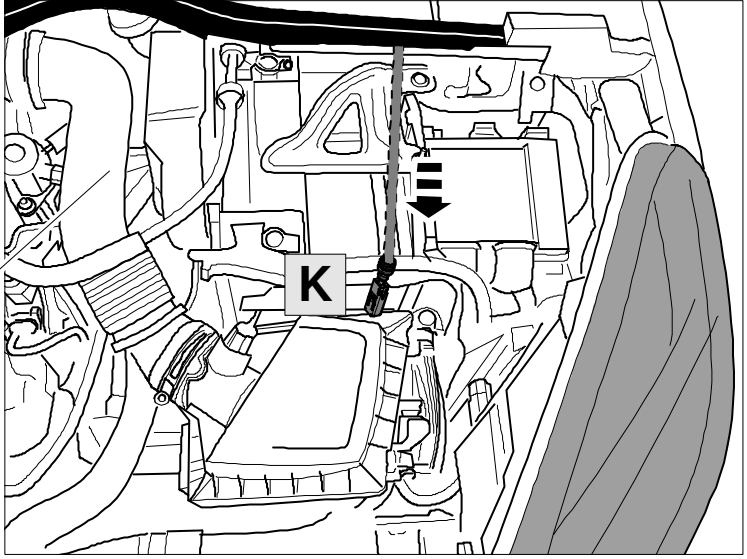
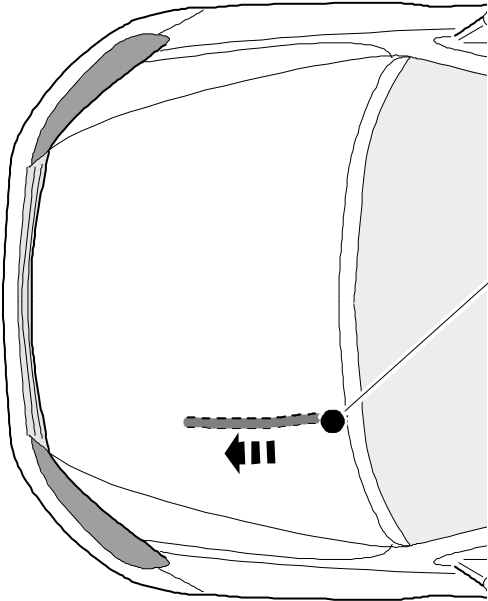


26 REMOVE

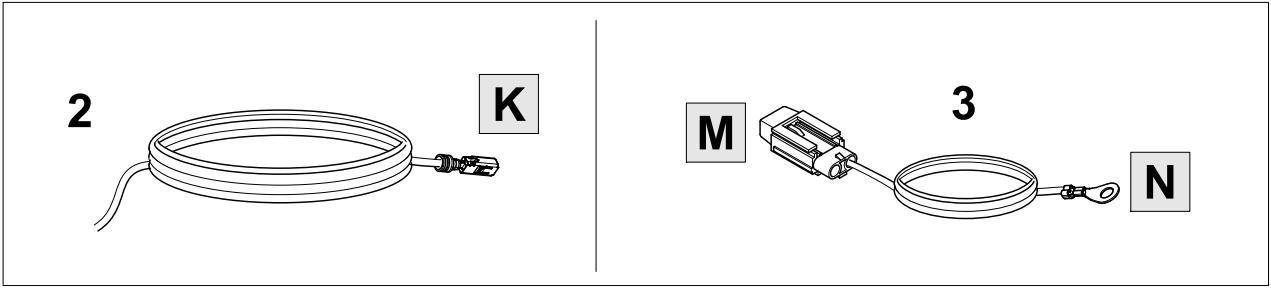
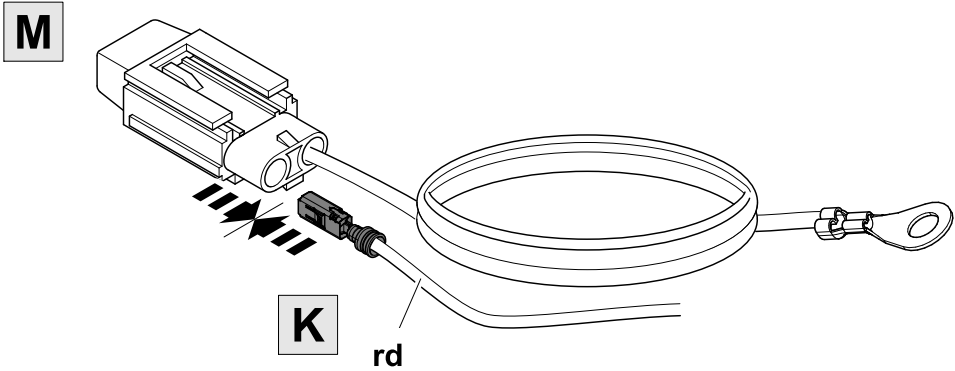
OPTION 3

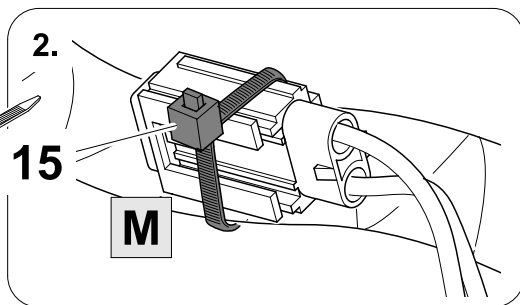
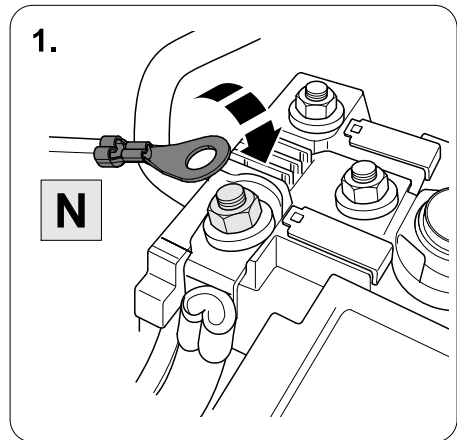
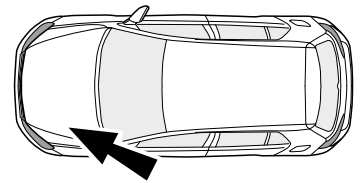
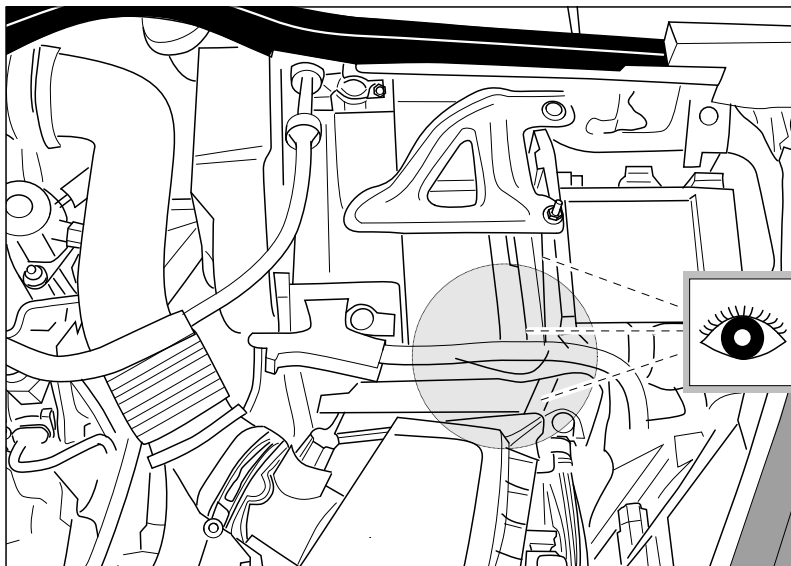




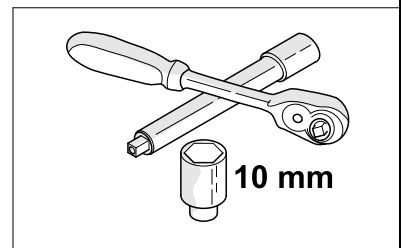
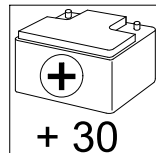


original wiring



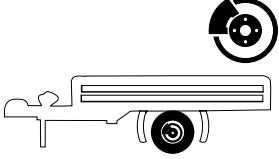


Hot all times!

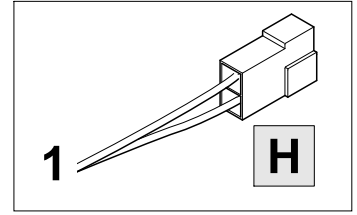




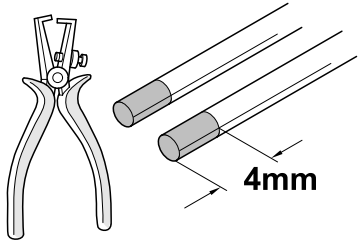
**BRAKE
CONTROLLER
PREPARED**



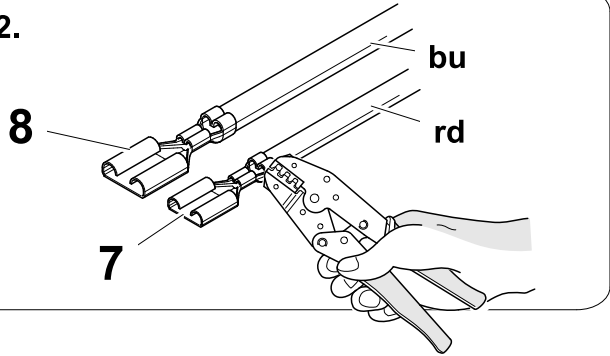
Trailer Brake Preparation



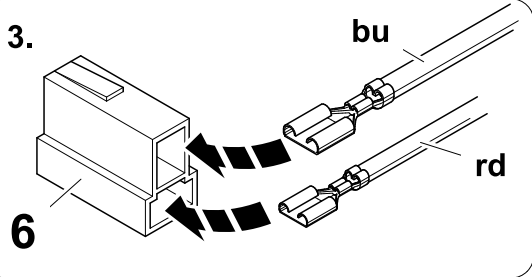
1.



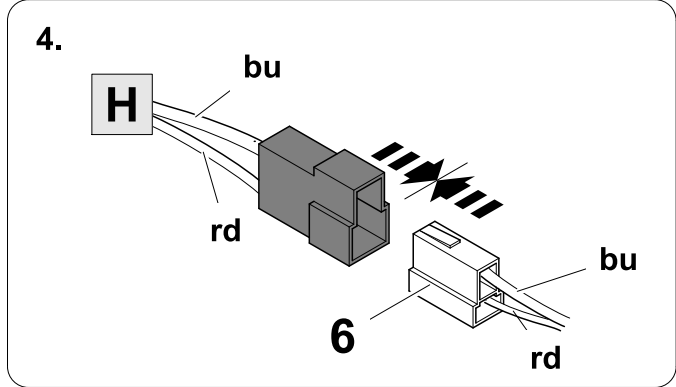
2.



3.



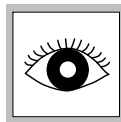
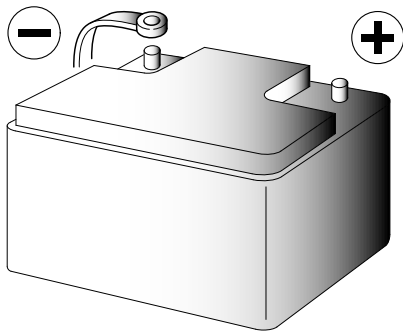
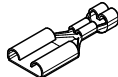
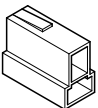
4.



6

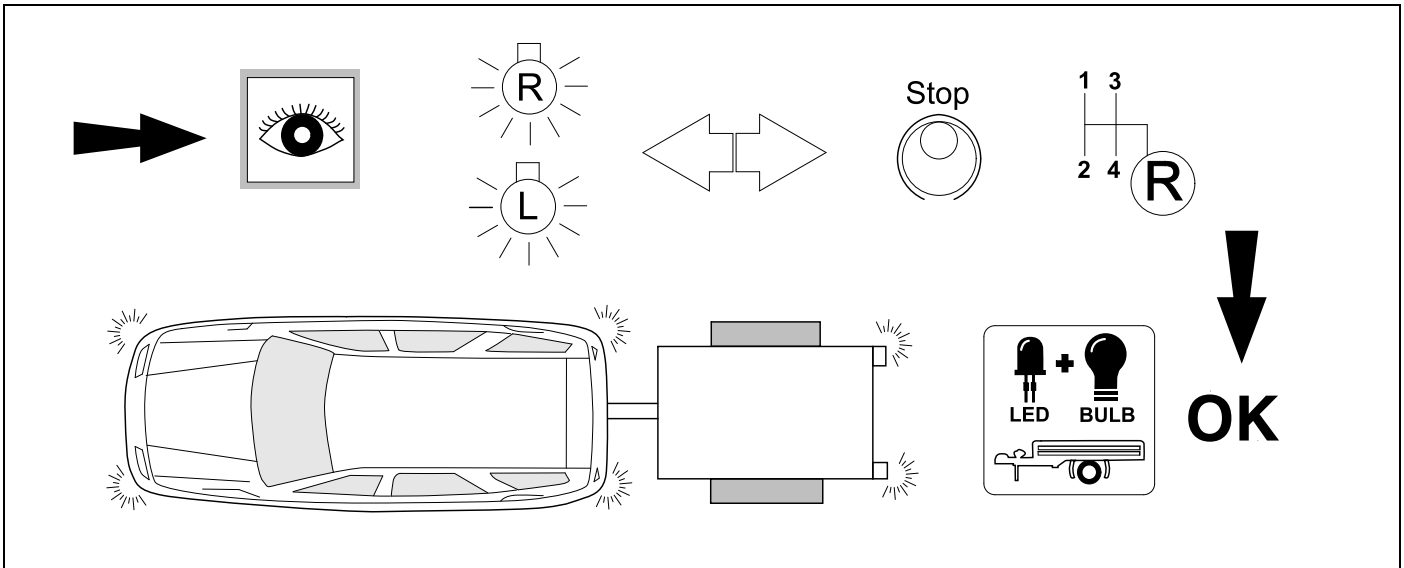
7

8



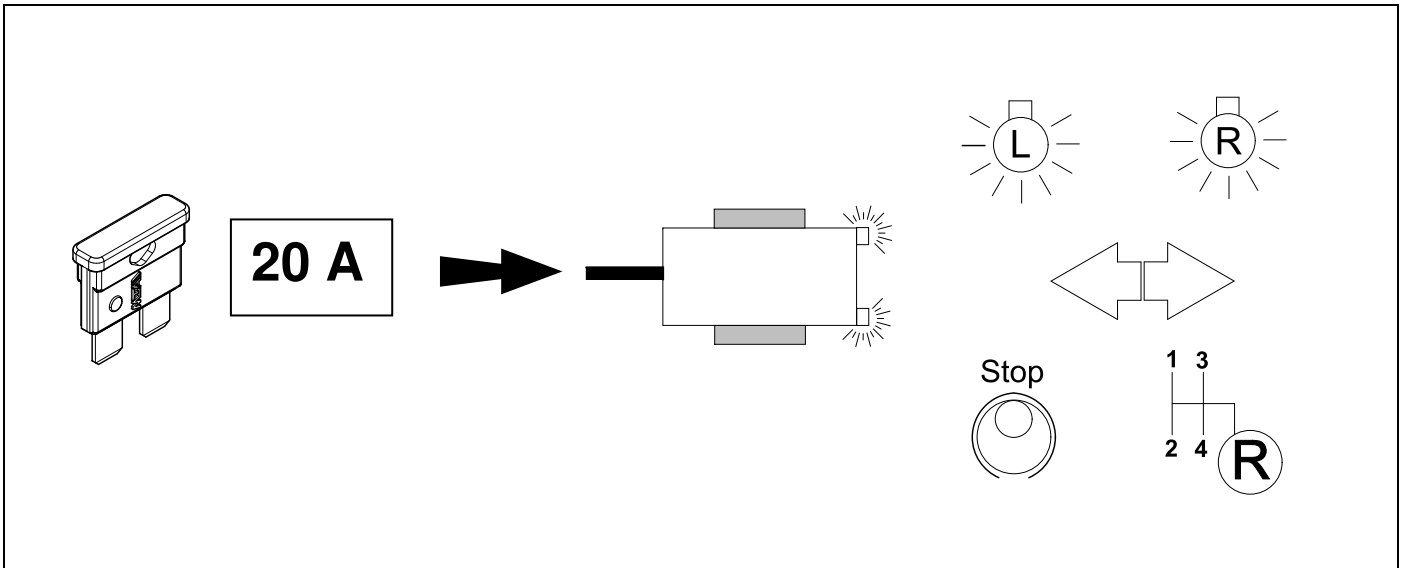
33

CHECK ALL LIGHTING FUNCTIONS



34

eye icon ⇒ 13 + 22 + 30



35

VEHICLE CODING

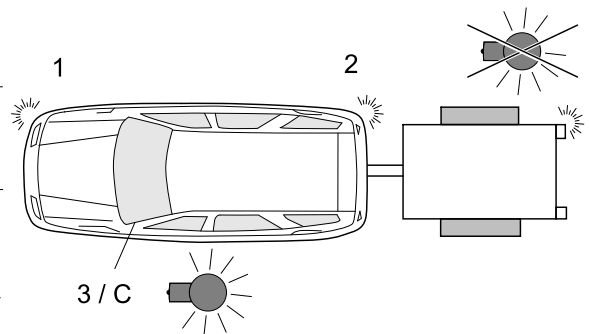
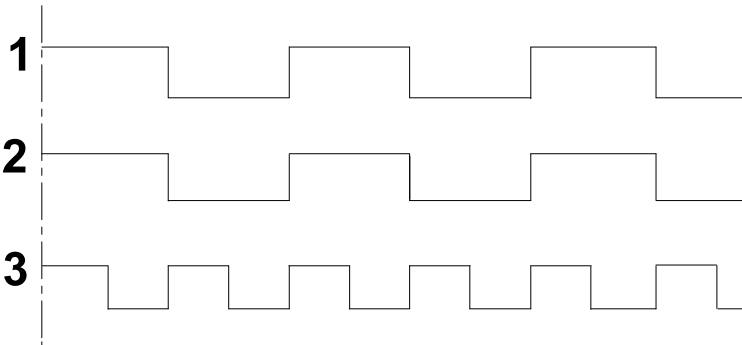


- . Connect with FordEtis
- . Dealer registration
- . Vehicle: enter VIN
- . Vehicle software
- . Changes and Upgrades
- . Configuration of towbar

36

CHECK BULB OUT DETECTION

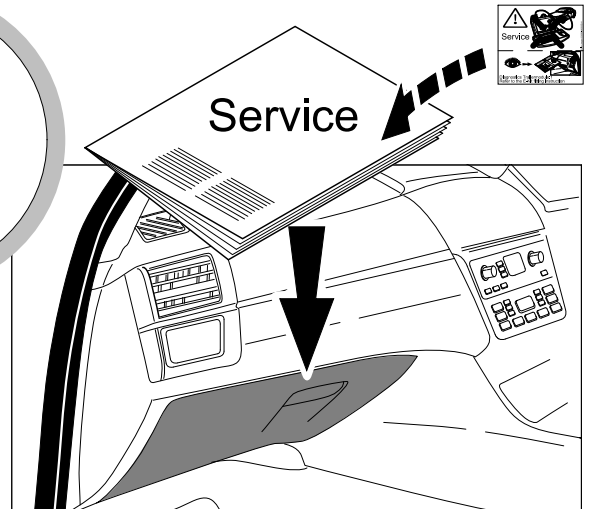
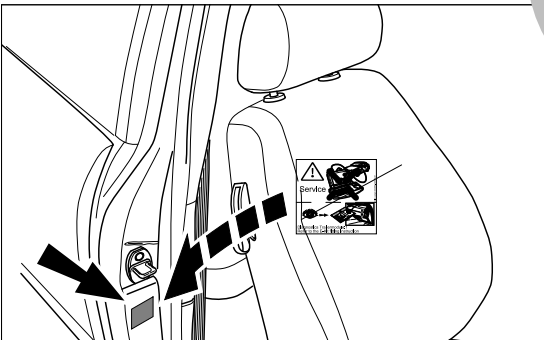
BULB OUT CONDITION INDICATED WITH INCREASED INDICATOR FREQUENCY



37

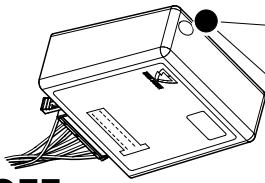
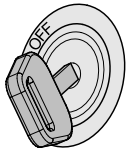


2x 13



Status LED for self-diagnosis

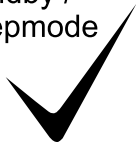
Operation support



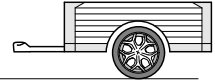
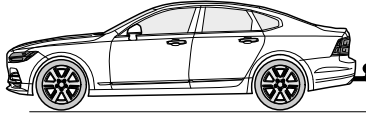
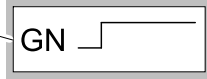
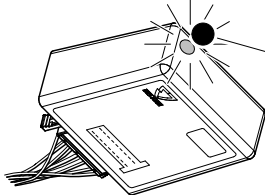
No CAN-Data =



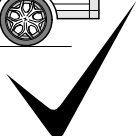
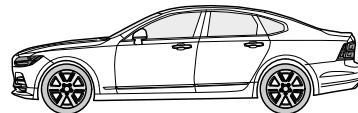
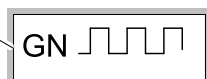
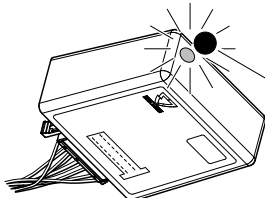
Standby / Sleepmode



Ignition OFF



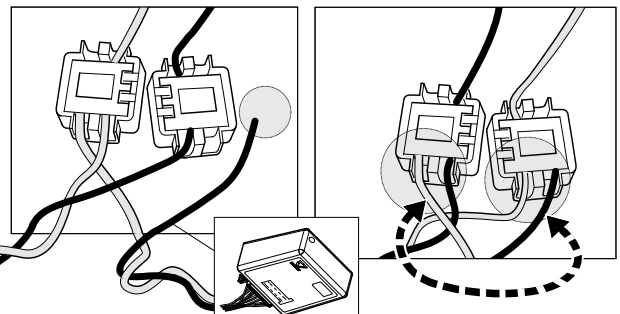
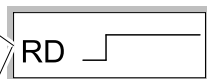
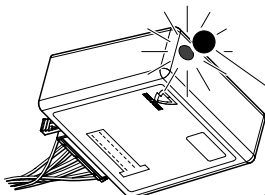
Ignition ON



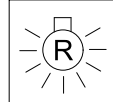
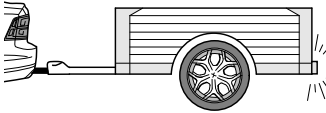
Ignition ON

Failure support

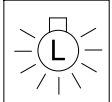
Check CAN-Data Wire



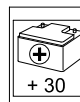
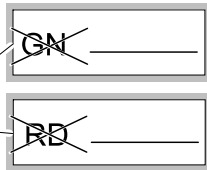
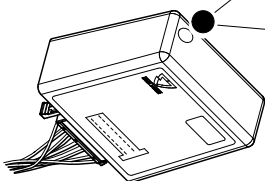
Ignition ON



+



1x max 5 min.

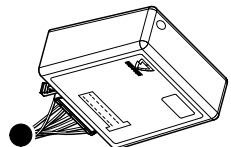
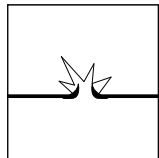
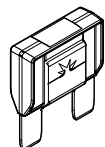
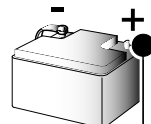


PIN 17

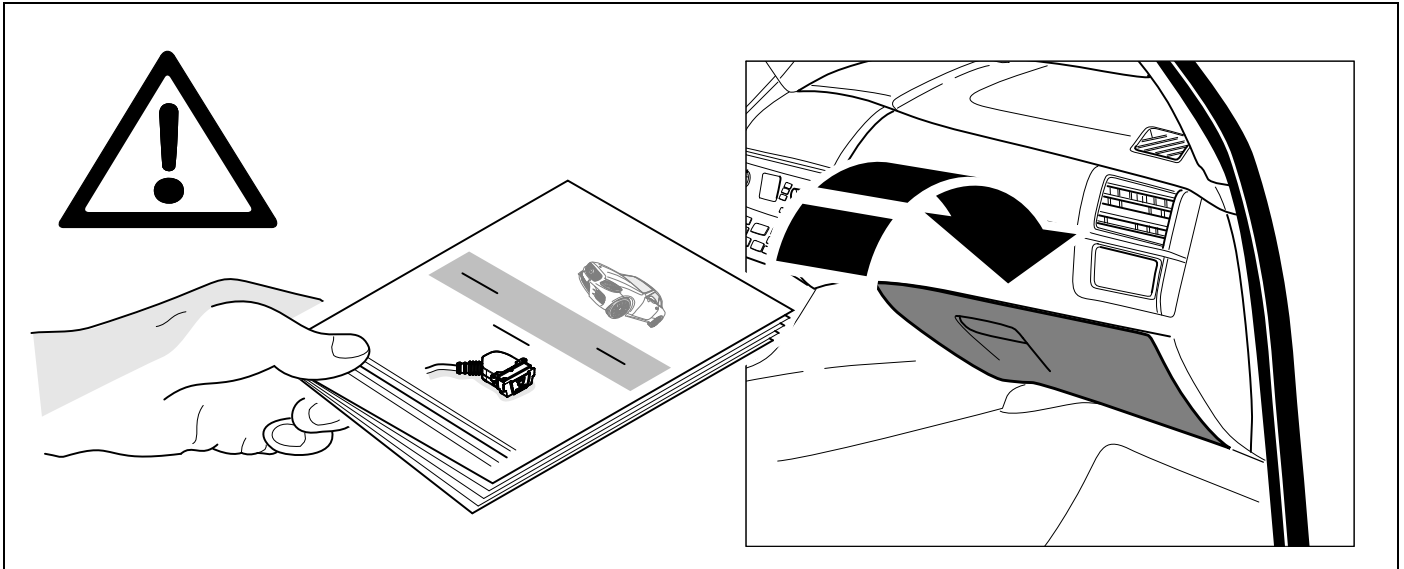
oder / or



PIN 1



Ignition ON



Subject to change in terms of construction, equipment and colour, and may contain errors.

The information and illustrations are non-binding.