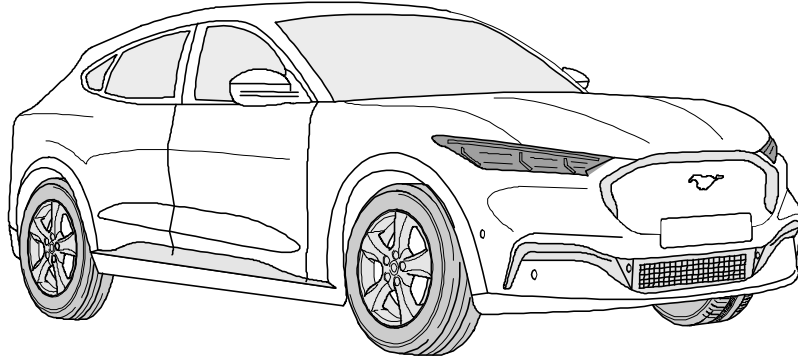




ERICH JAEGER

Installation instructions



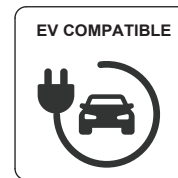
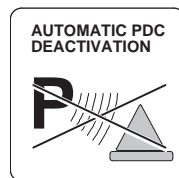
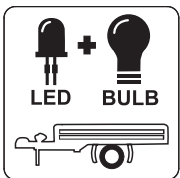
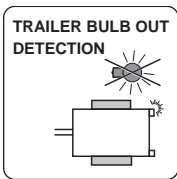
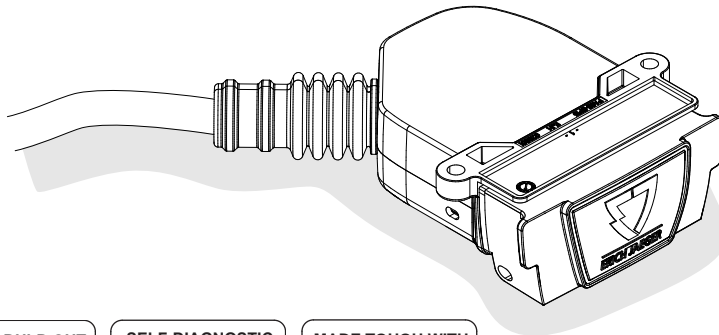
750109

FORD Mustang Mach-E

02/21 >>



SCAN FOR
LATEST
INSTRUCTIONS

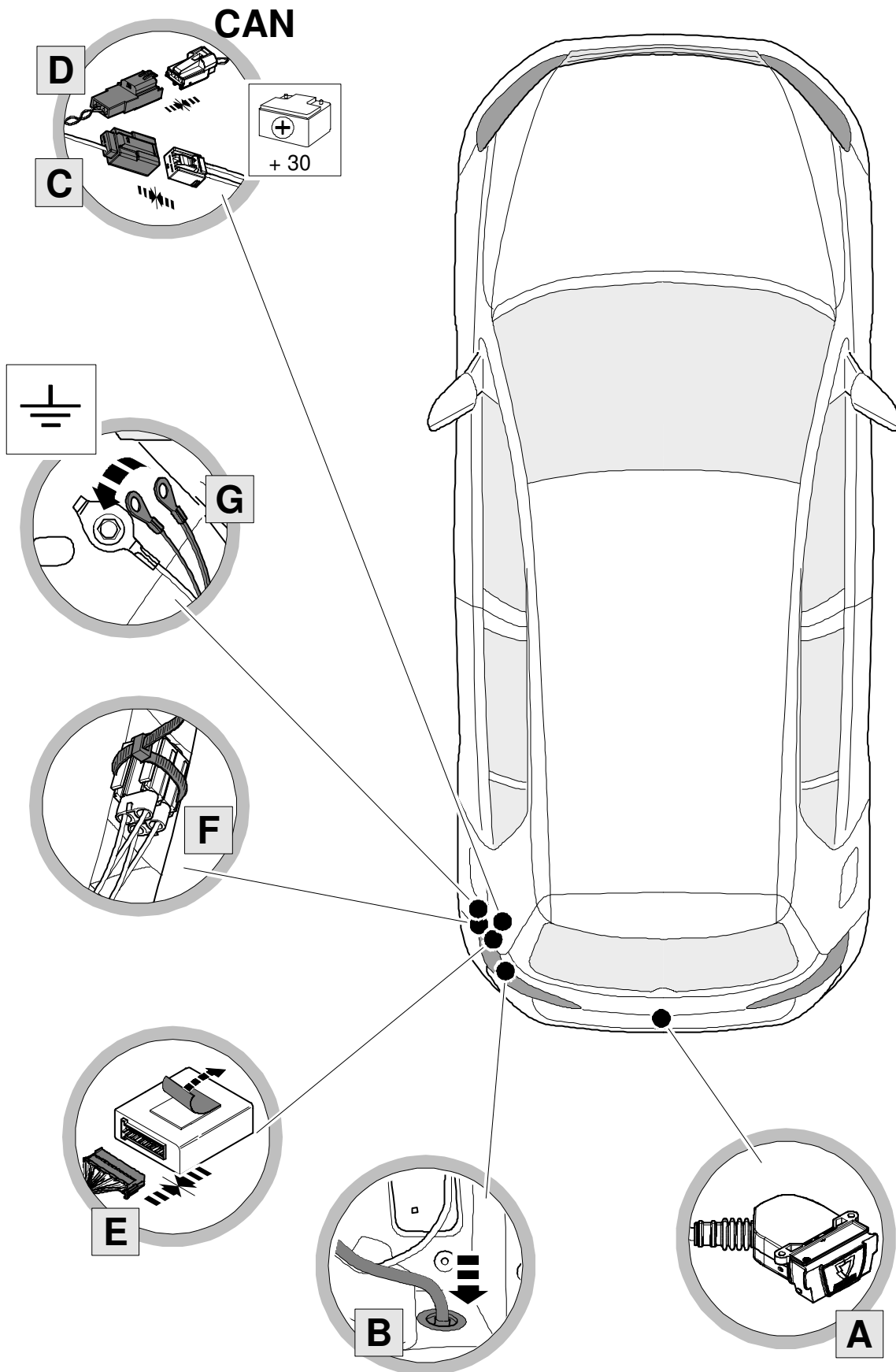


Reference:

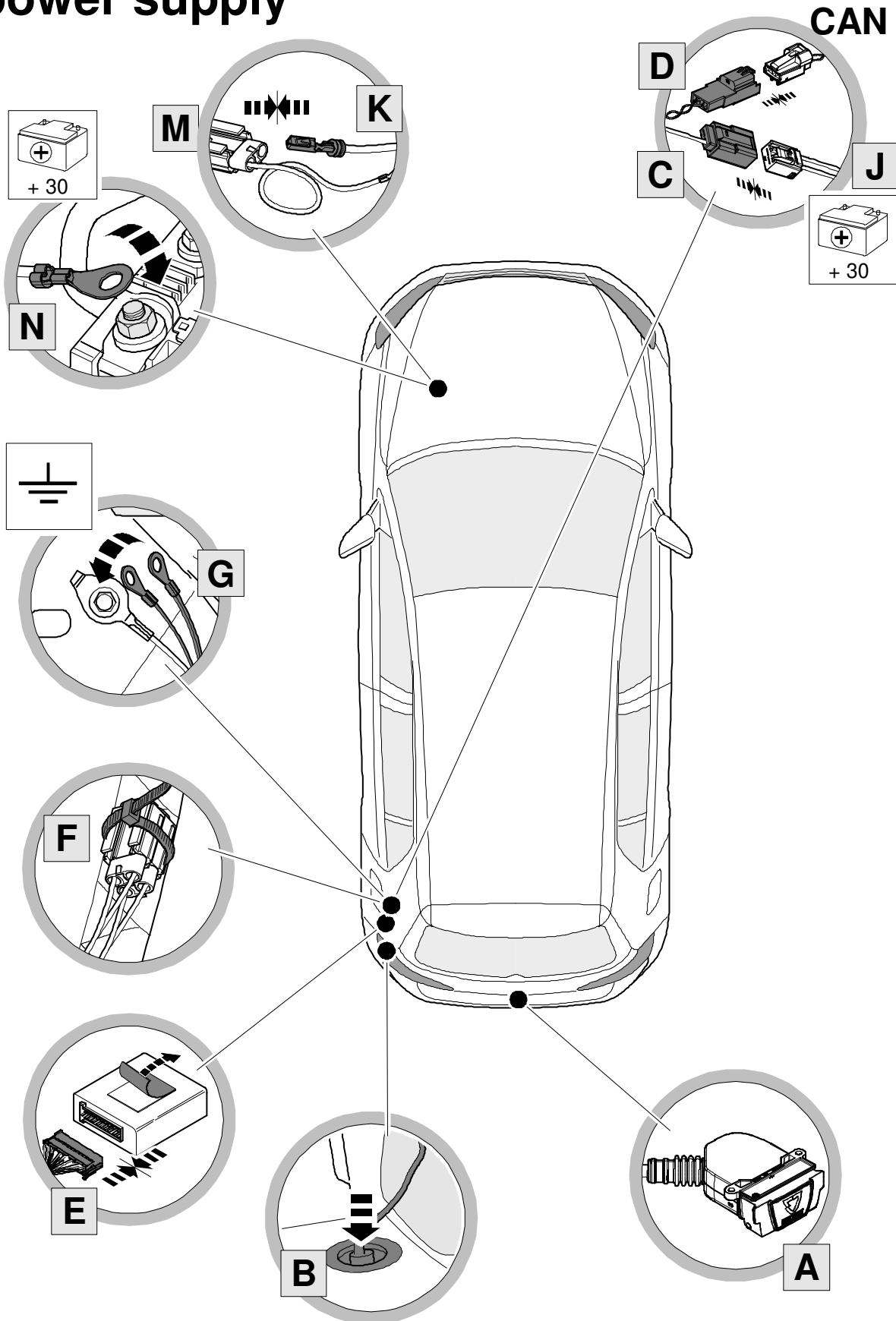
The following information must be reviewed before beginning the assembly:

- The installation instructions are to be thoroughly read.
- The installation should be carried out by qualified personnel with the relevant technical knowledge.
- The vehicle manufacturers' current technical notices and information on retrofitting must be followed.
- The removal and replacement instructions found in the current repair manuals must be followed.
- It must be ensured that the vehicle is technically suitable for the installation of a trailer hitch.

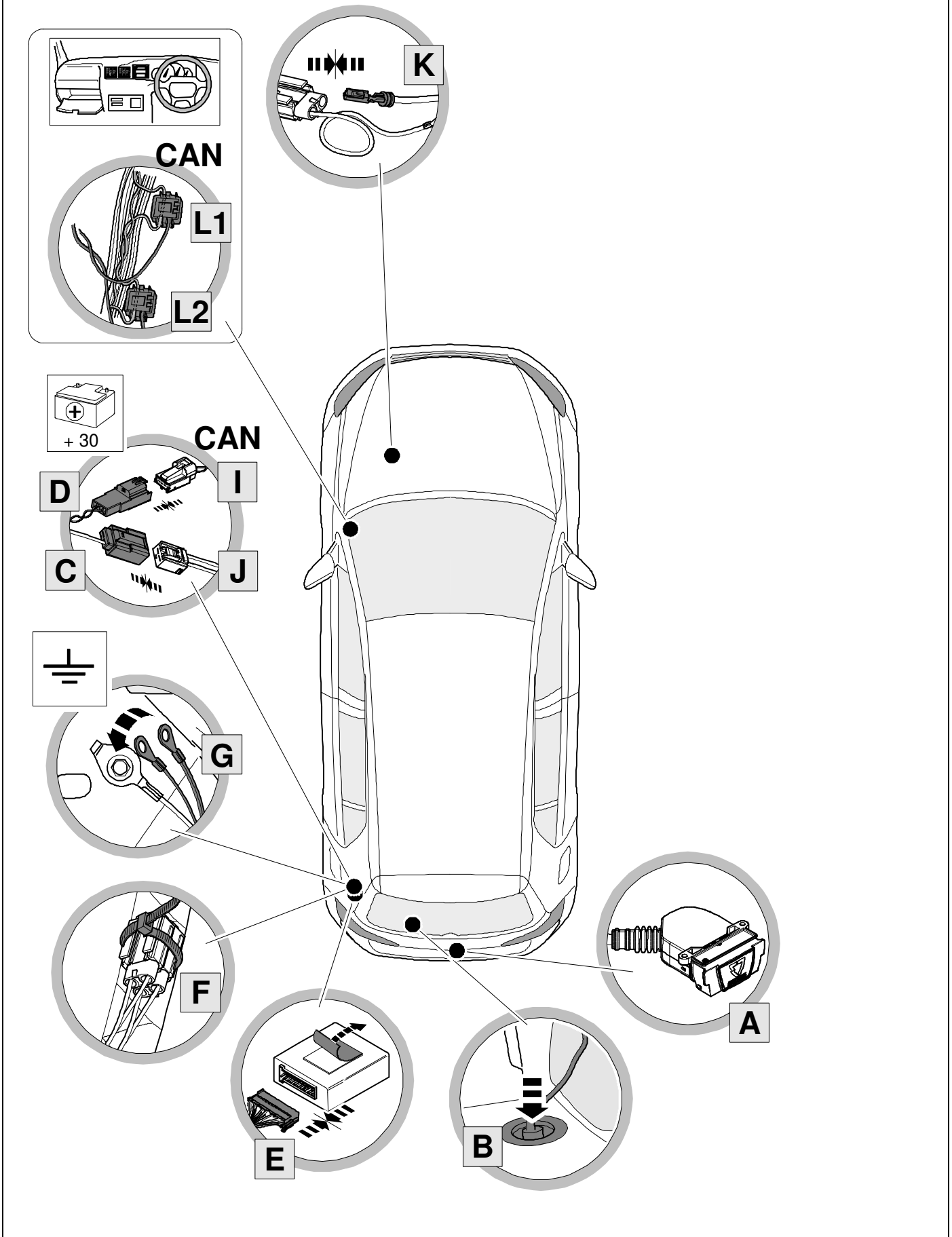
Vehicle with preparation (full function)



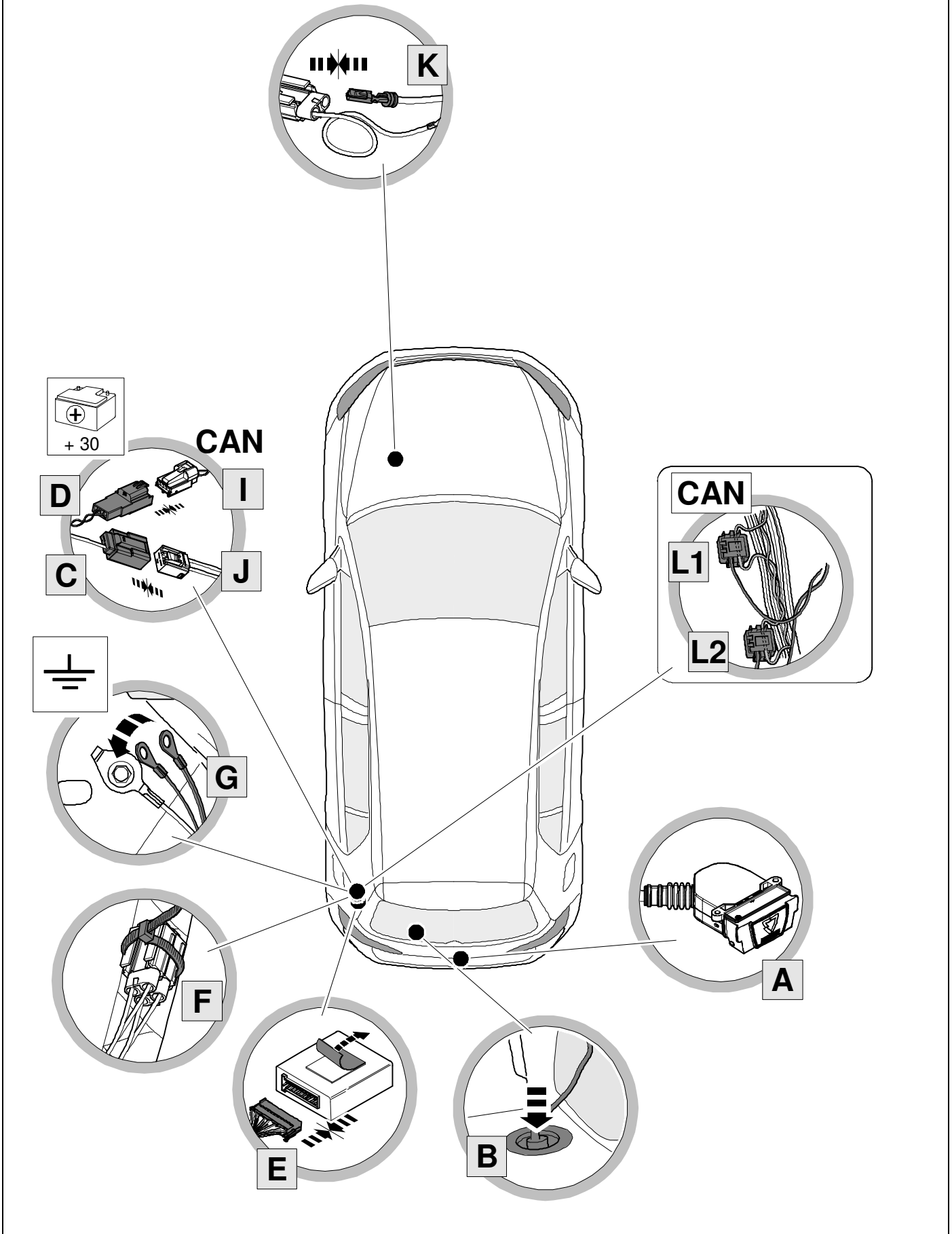
Vehicle with preparation except power supply



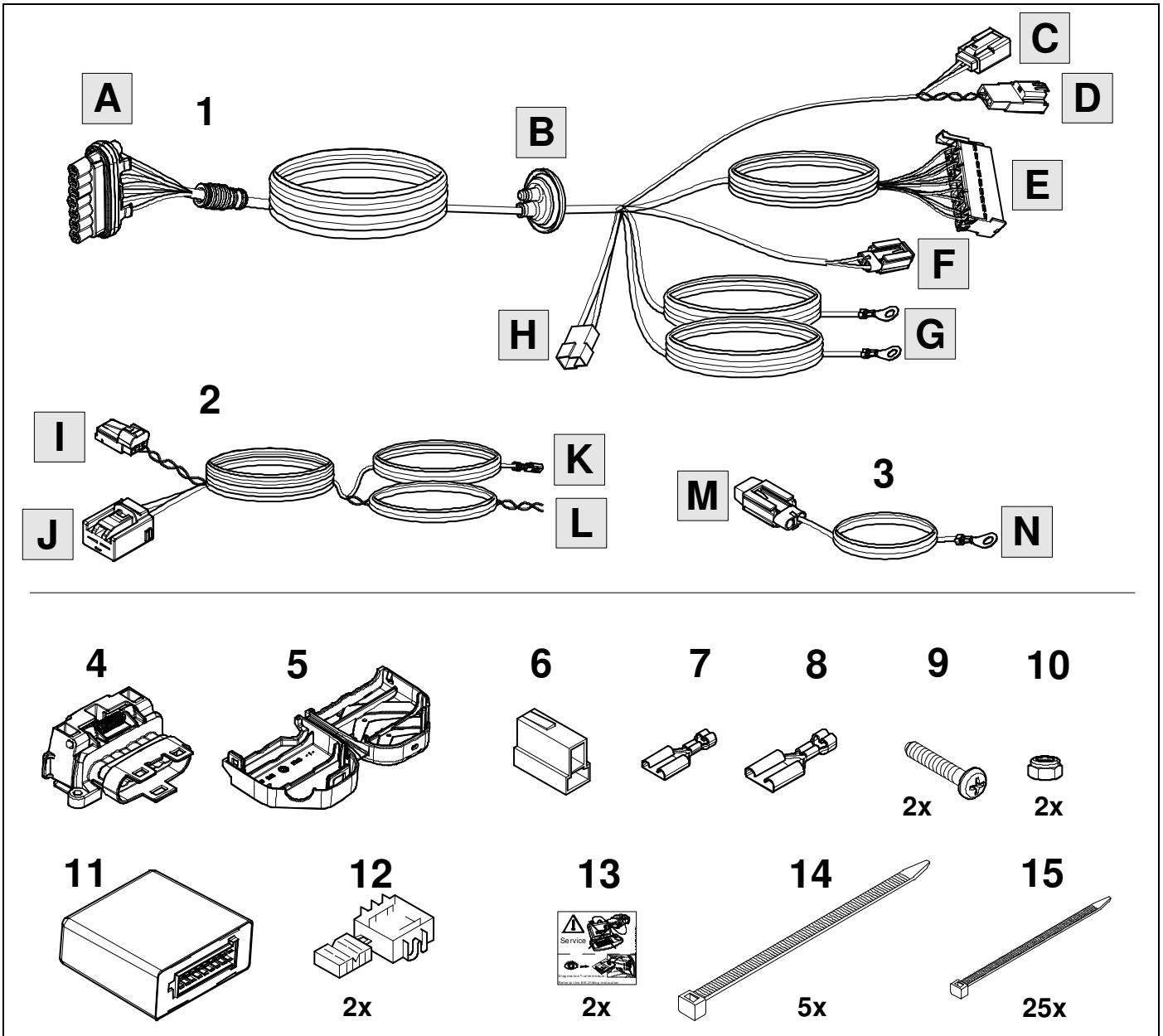
Vehicle without preparation



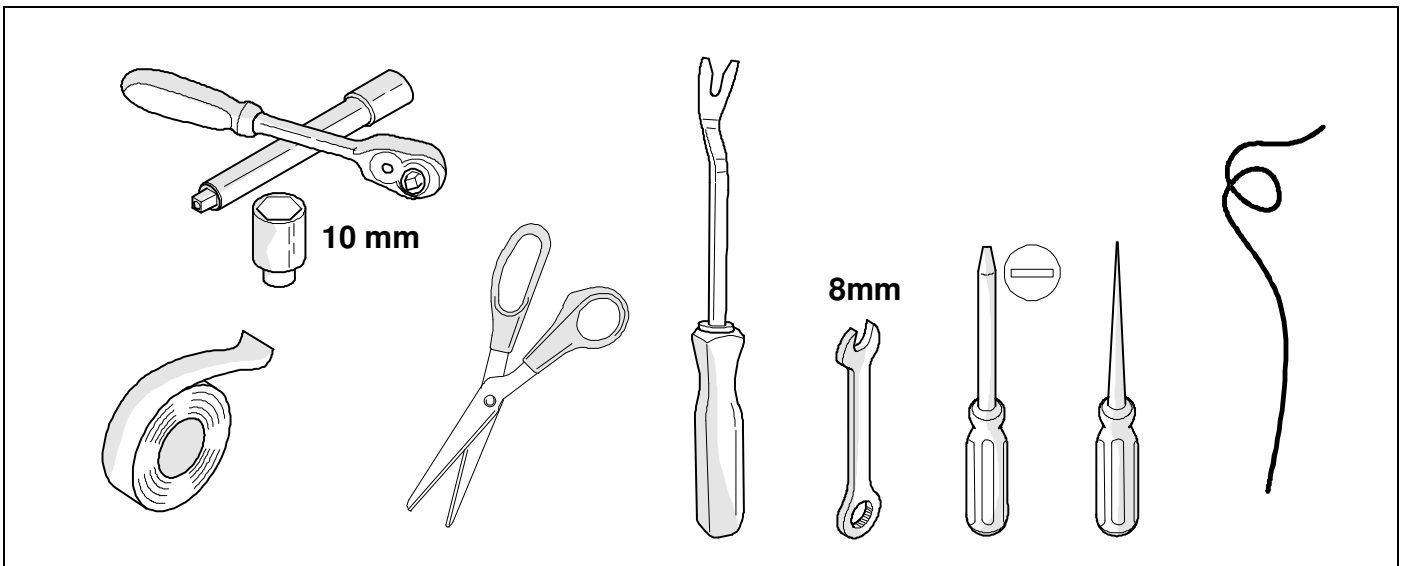
Vehicle without preparation



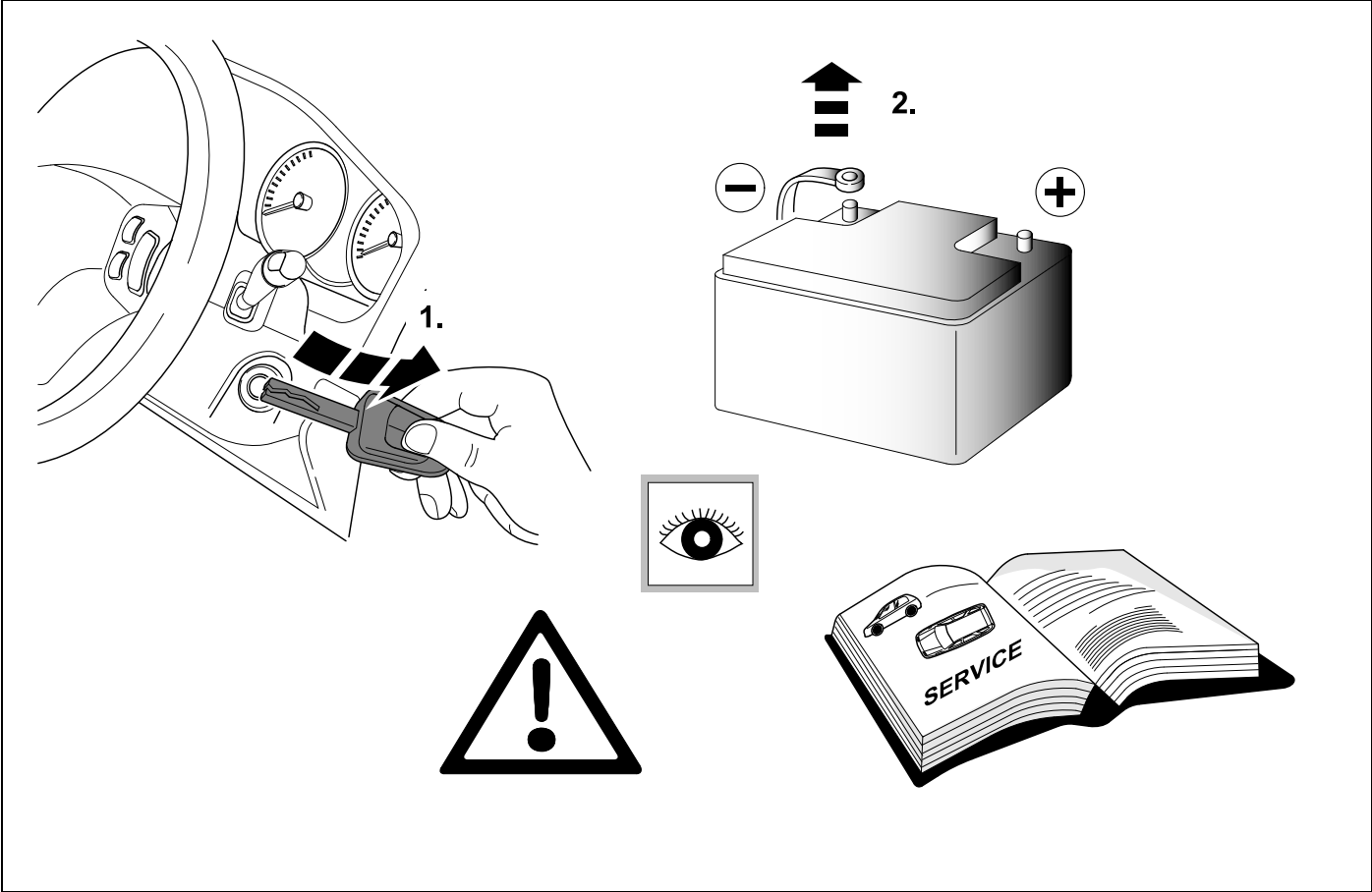
KIT



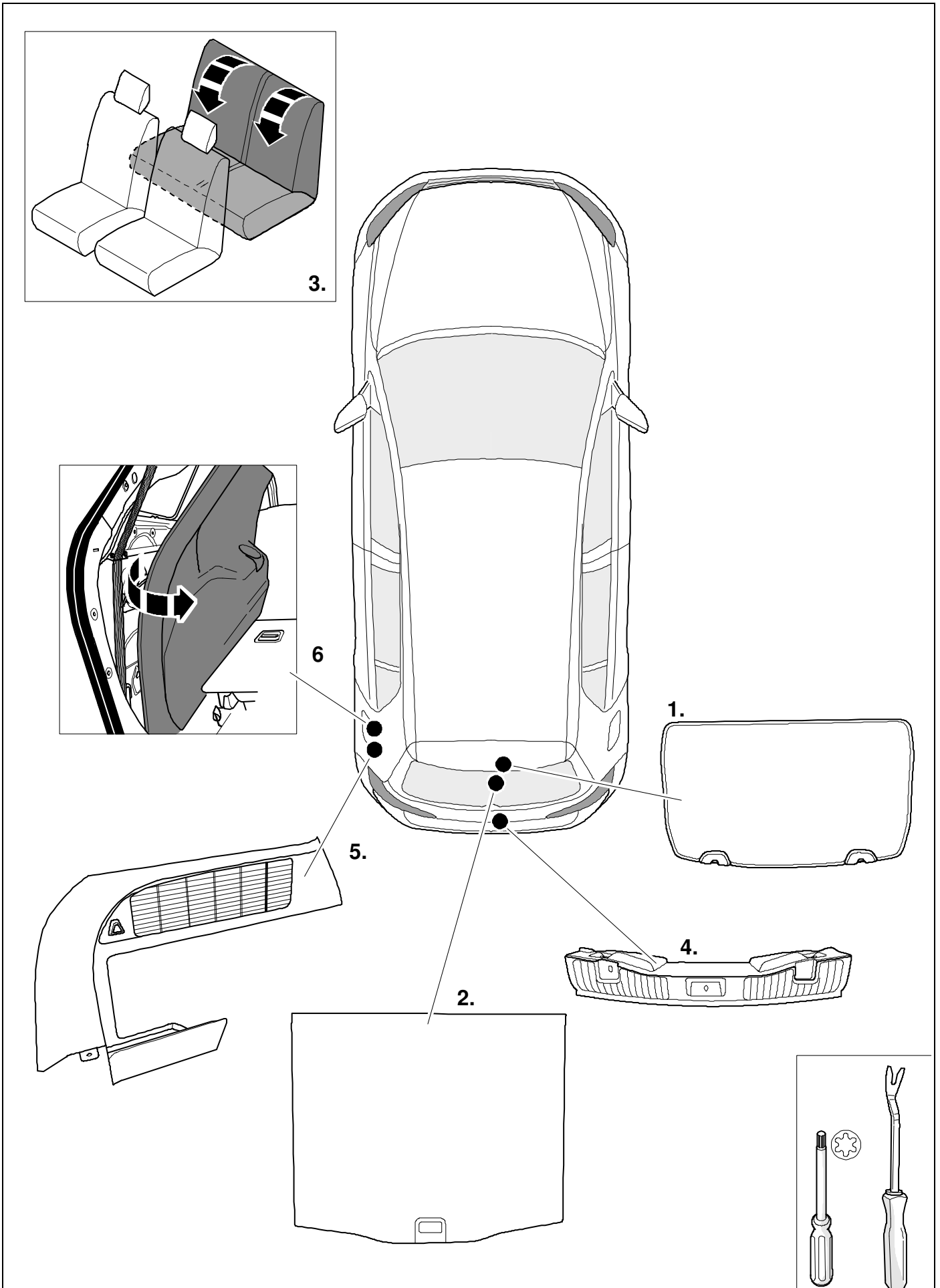
TOOLS



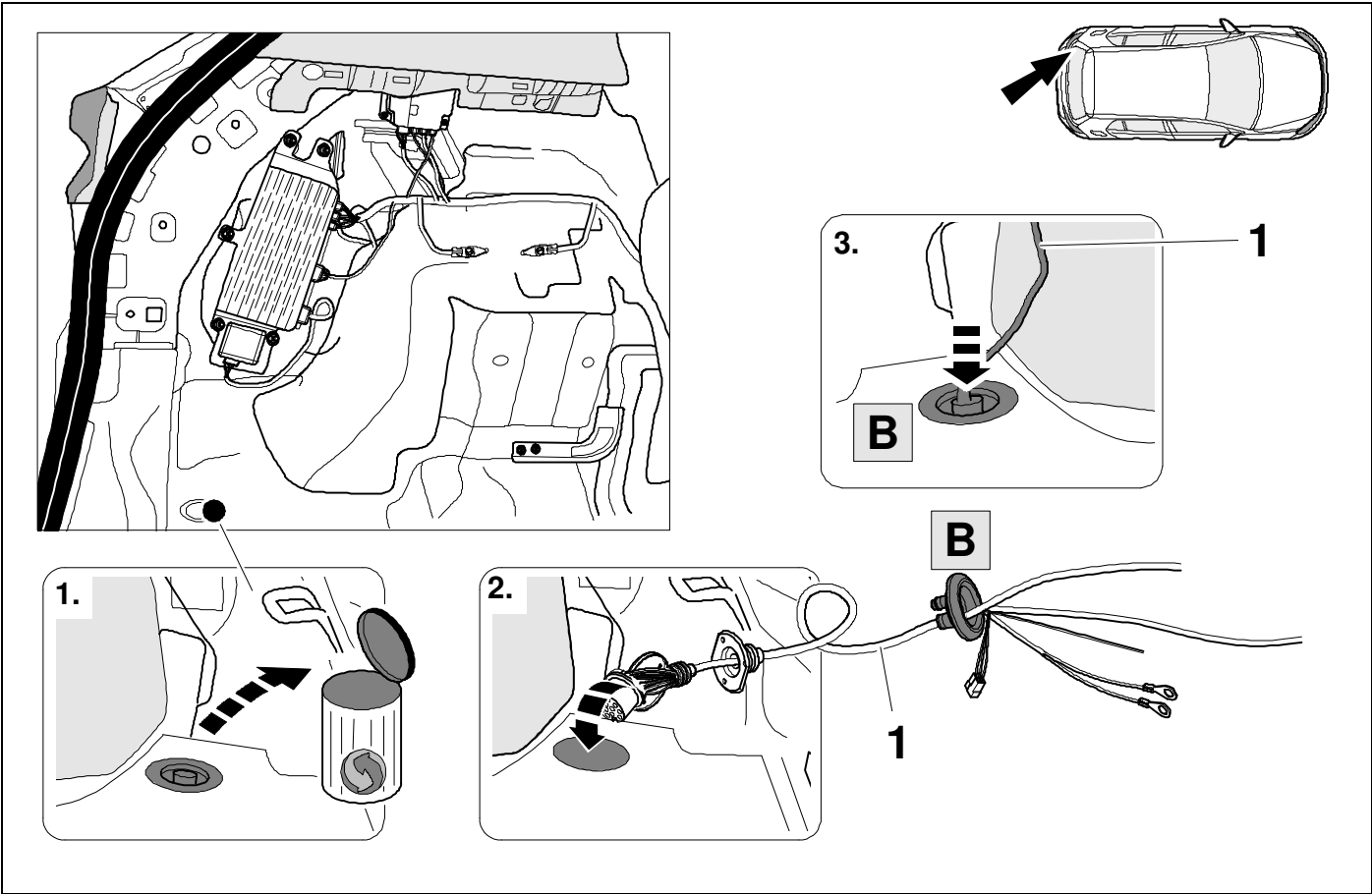
1



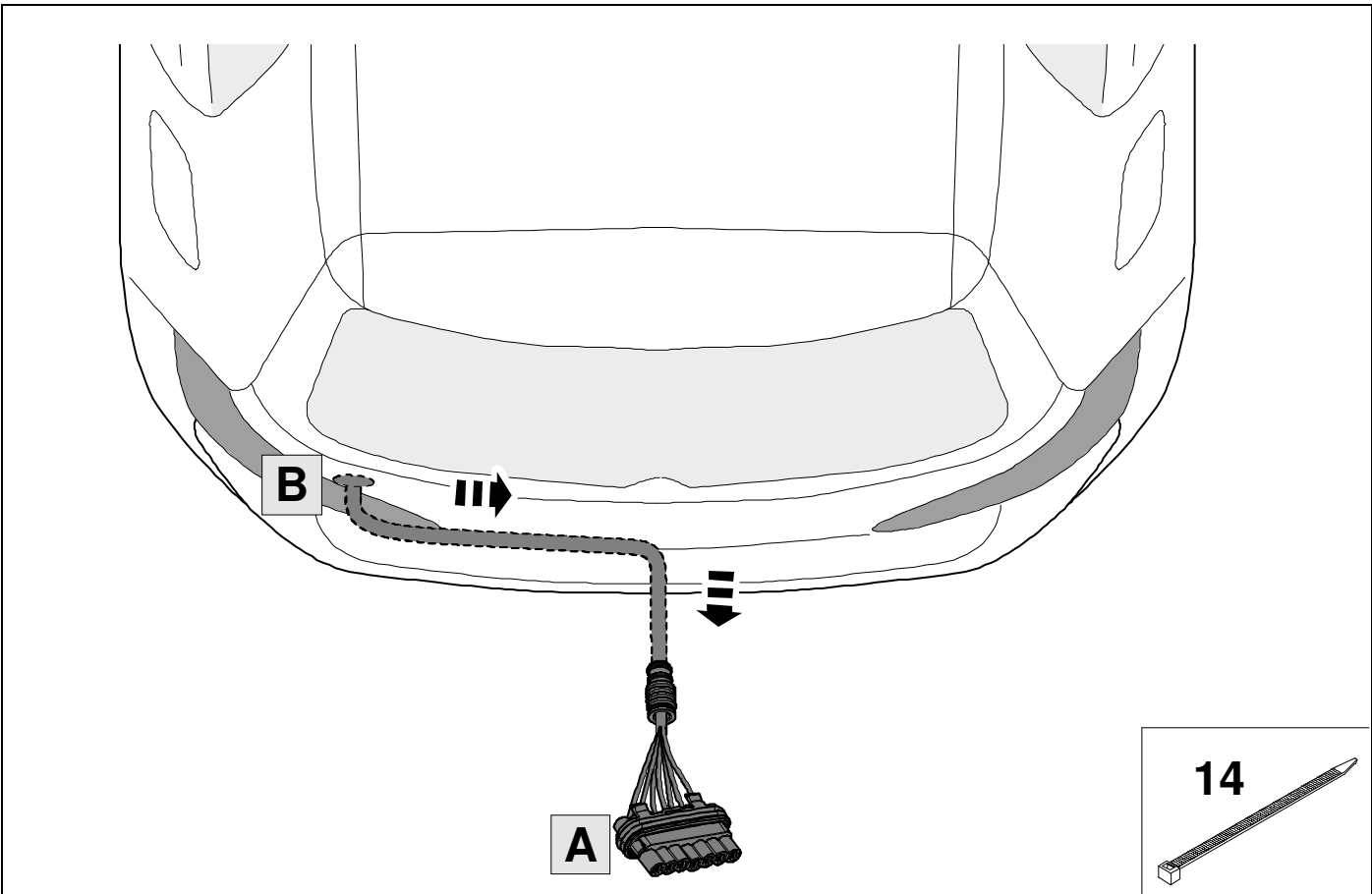
2 REMOVE



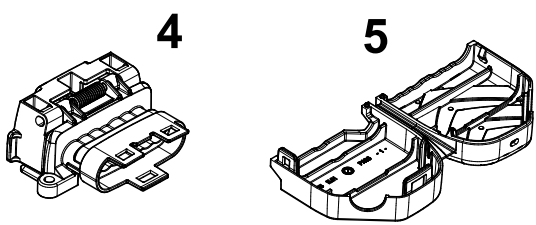
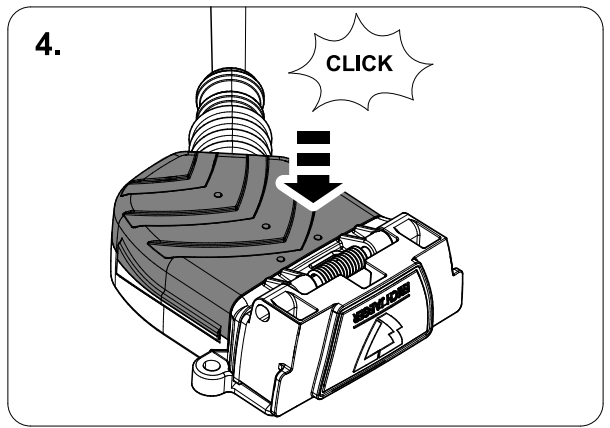
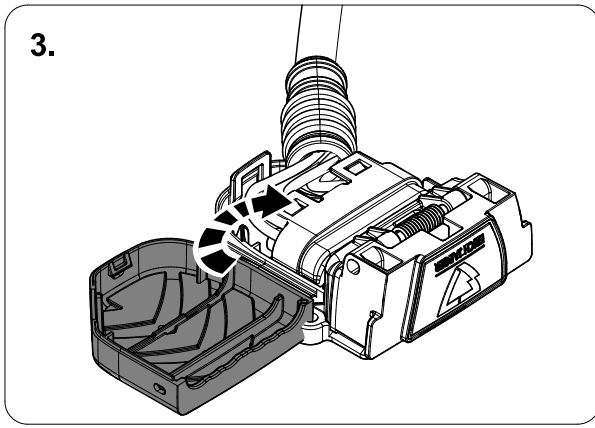
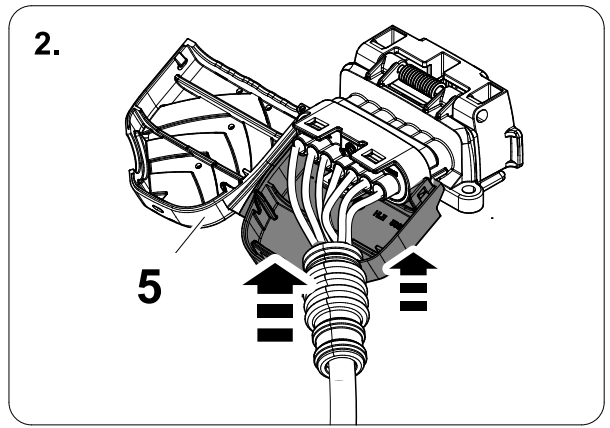
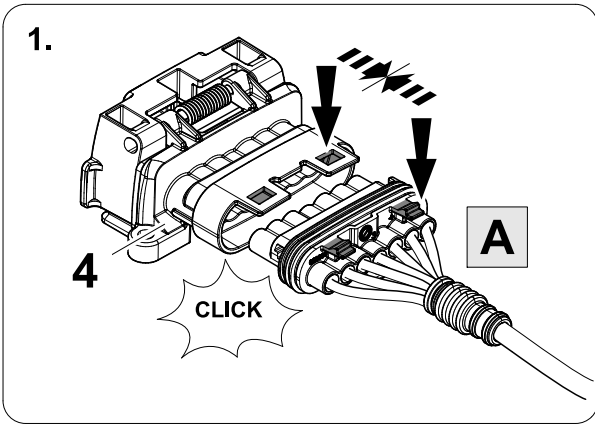
3



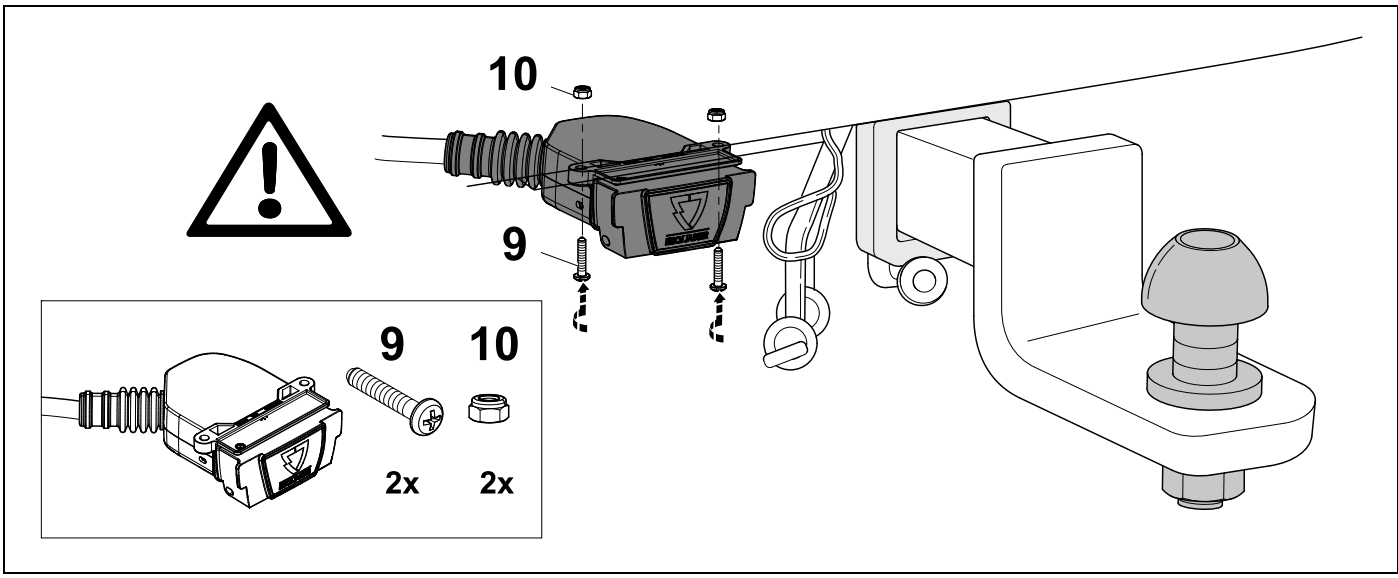
4



5



6



7



8

1	ye	
2	bk	
3	wh	
4	gn	
5	bu	
6	rd	
7	bn	

8	bk	wh	gy	gn	rd	bu	ye	bn	pu	or	no
---	----	----	----	----	----	----	----	----	----	----	----

	black	white	grey	green	red	blue	yellow	brown	purple	orange	not occupied
--	-------	-------	------	-------	-----	------	--------	-------	--------	--------	--------------

9

15

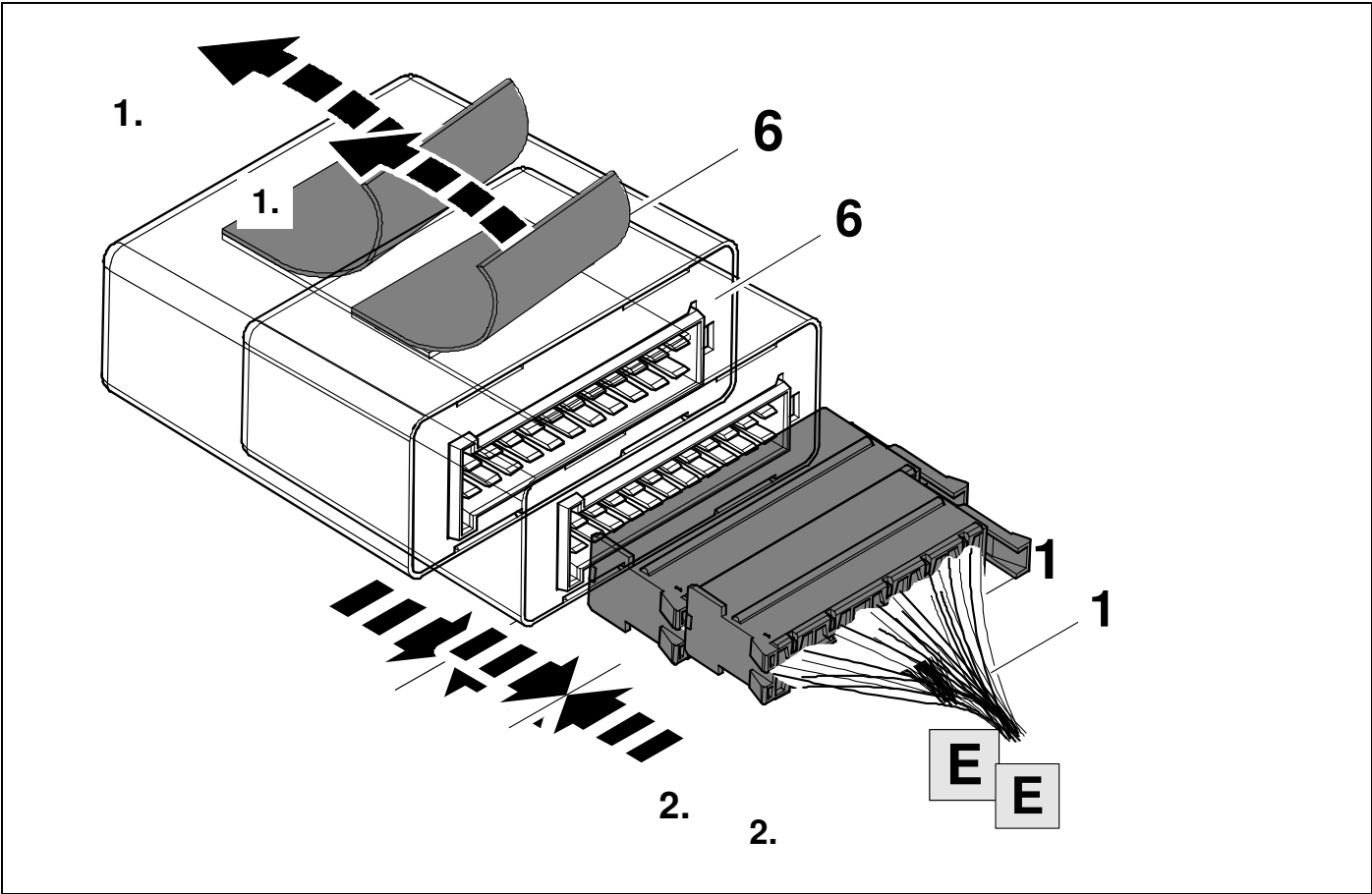
10 mm

15

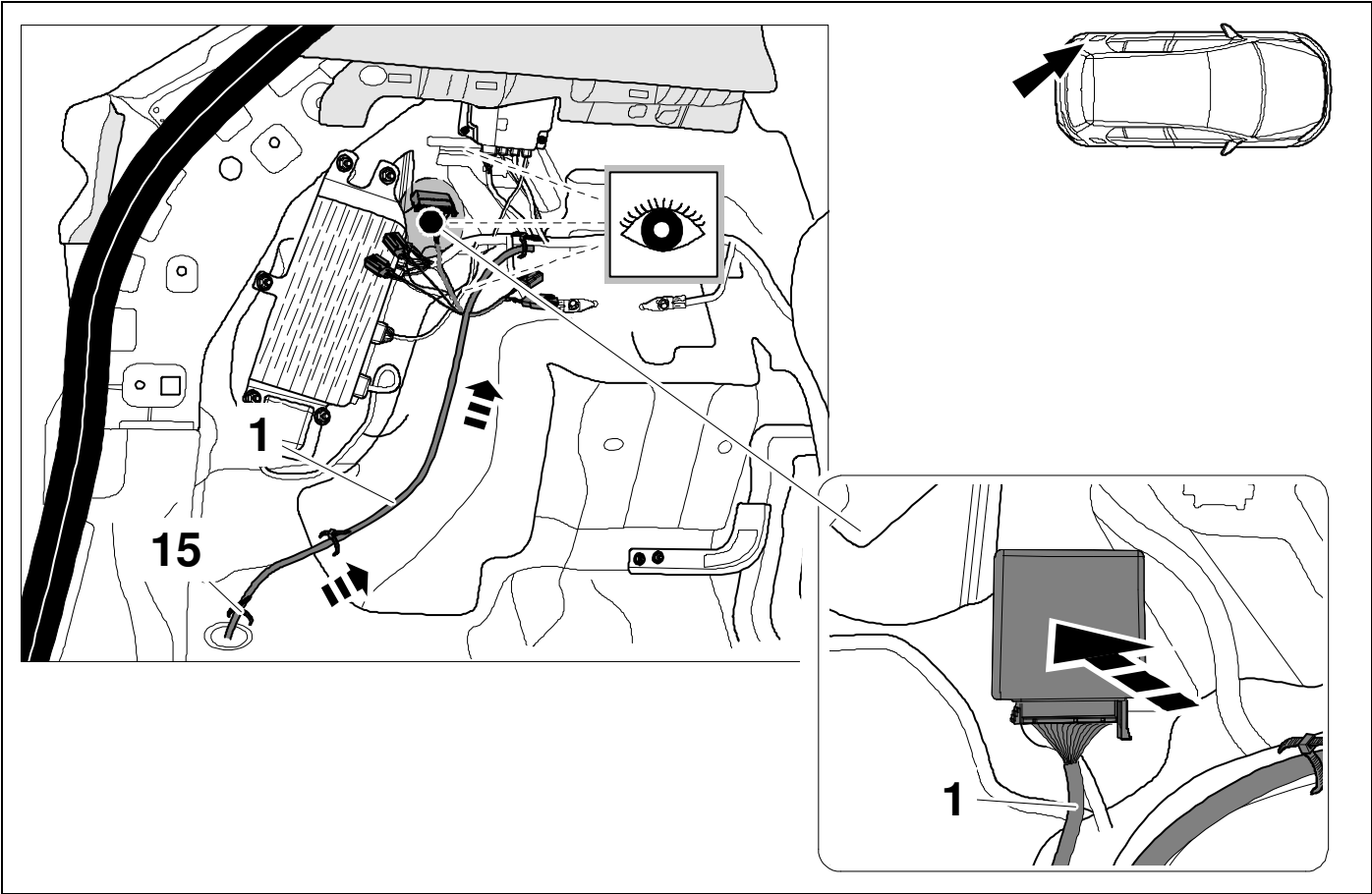
1

G

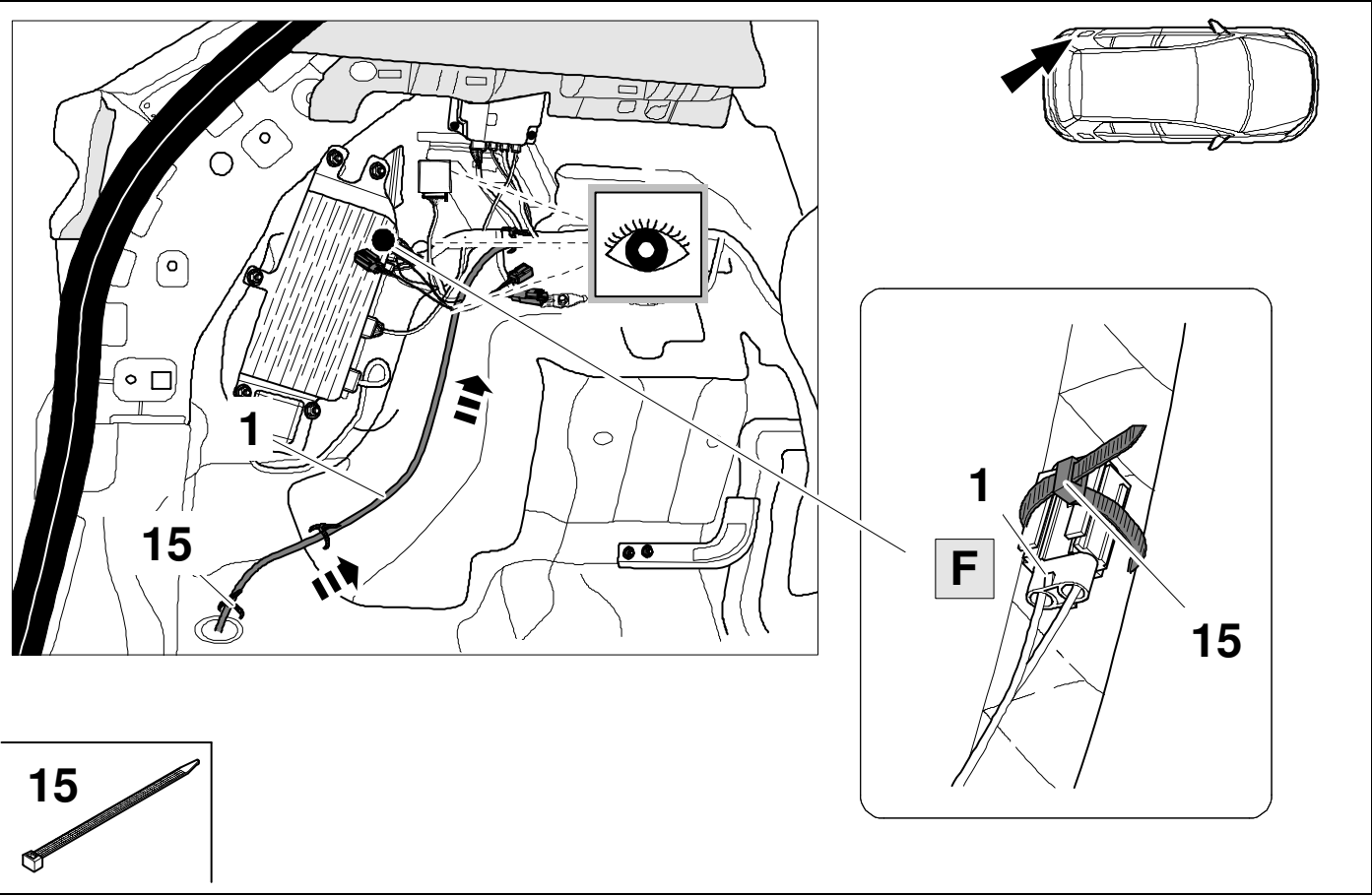
10



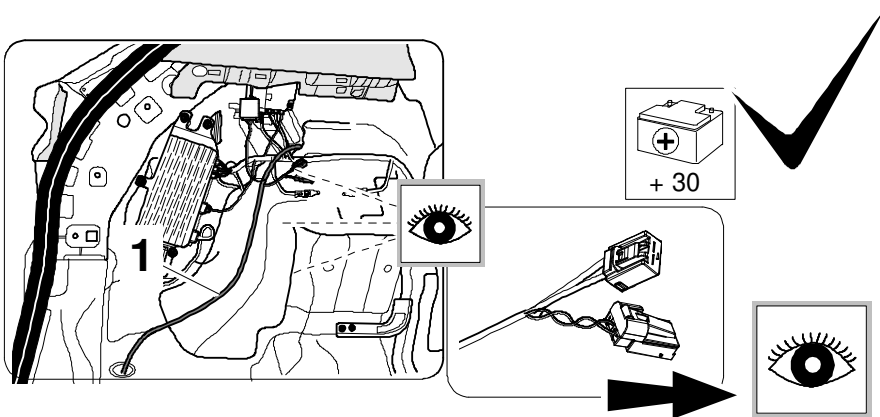
11



12

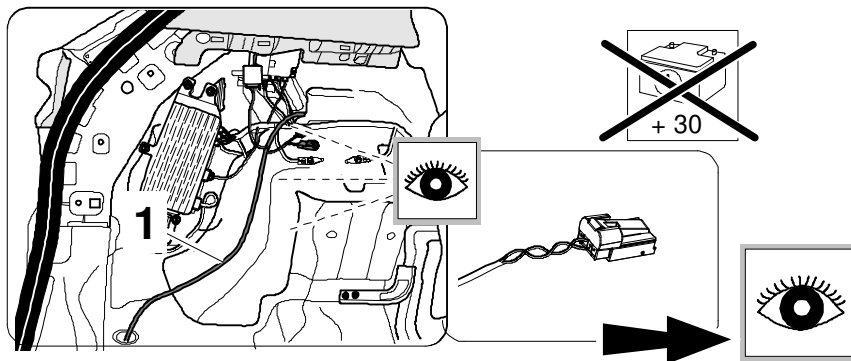


OPTION 1



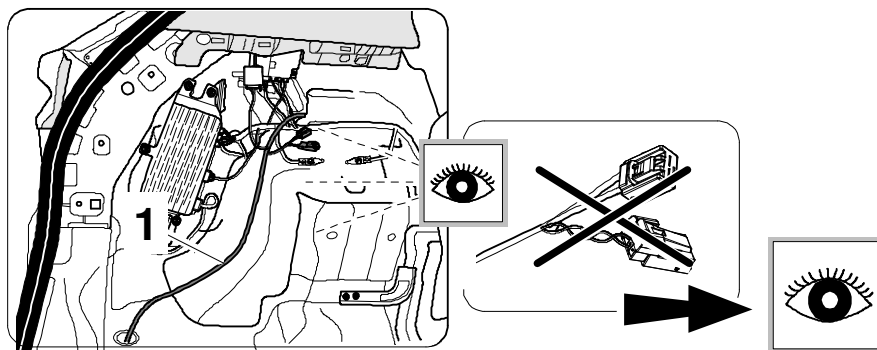
$$\boxed{14} + \boxed{35} - \boxed{41}$$

OPTION 2



$$\boxed{15} - \boxed{22} + \boxed{35} - \boxed{41}$$

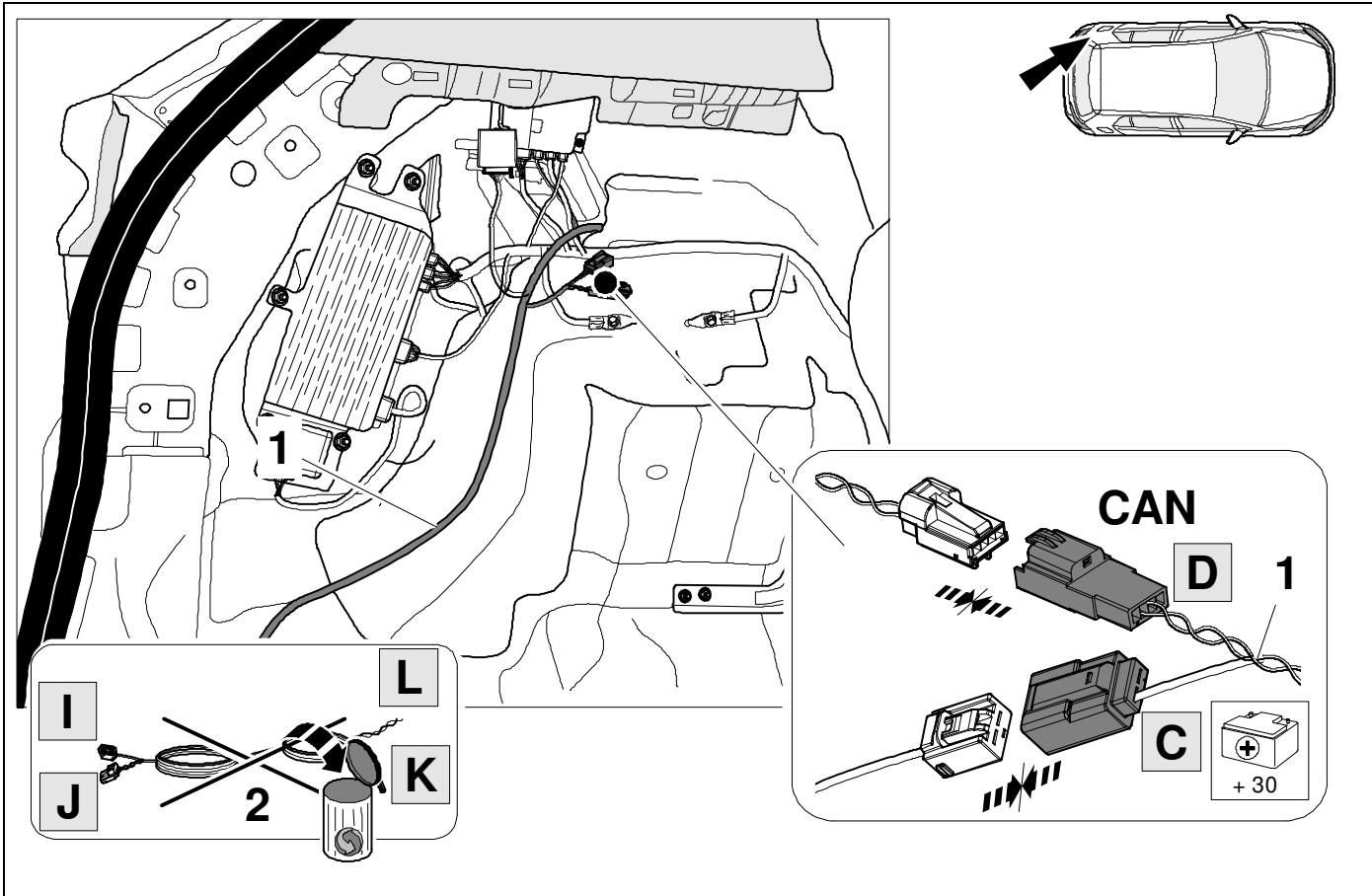
OPTION 3 , 4



$$\boxed{23} - \boxed{41}$$

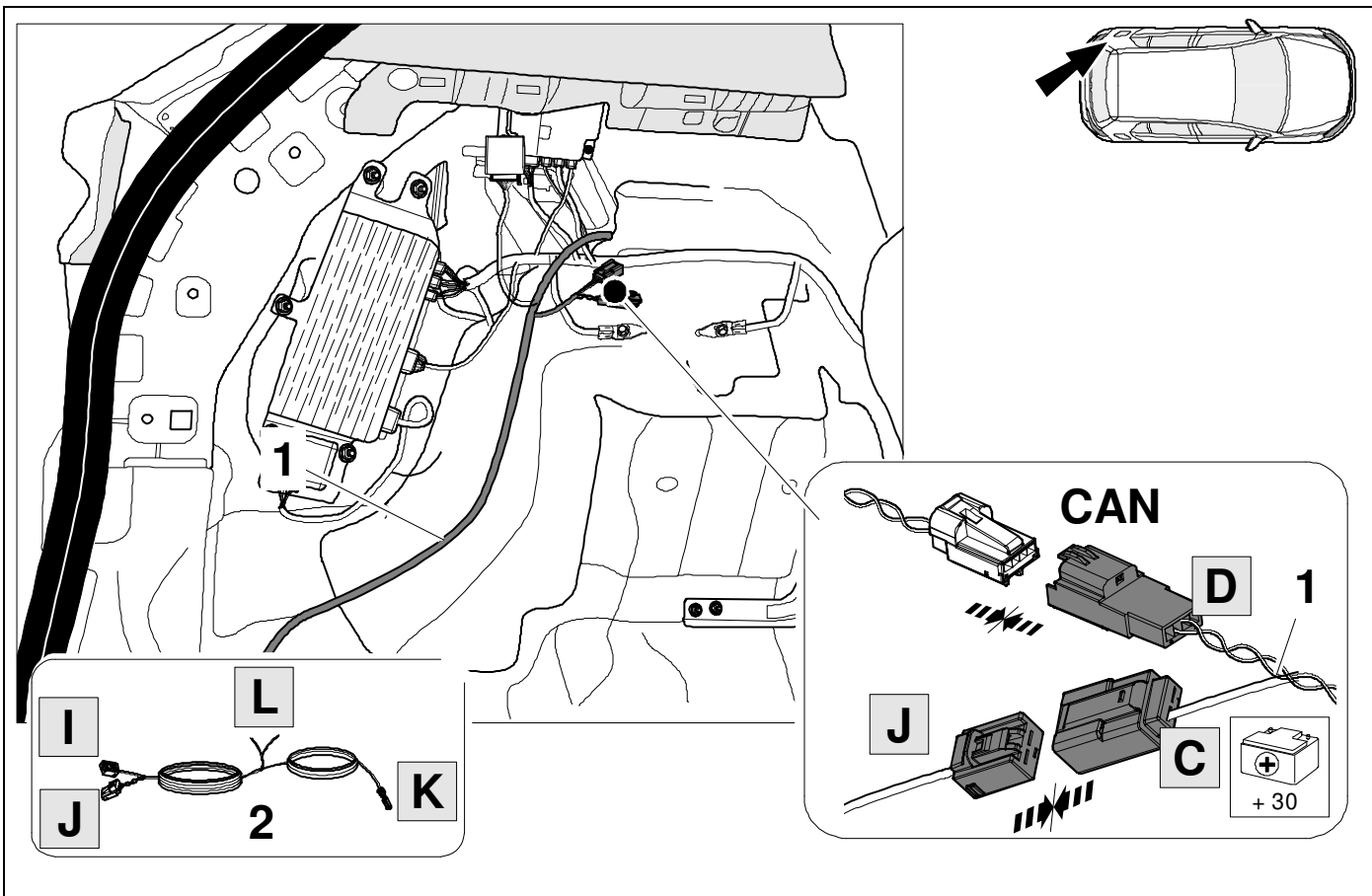
14

OPTION 1



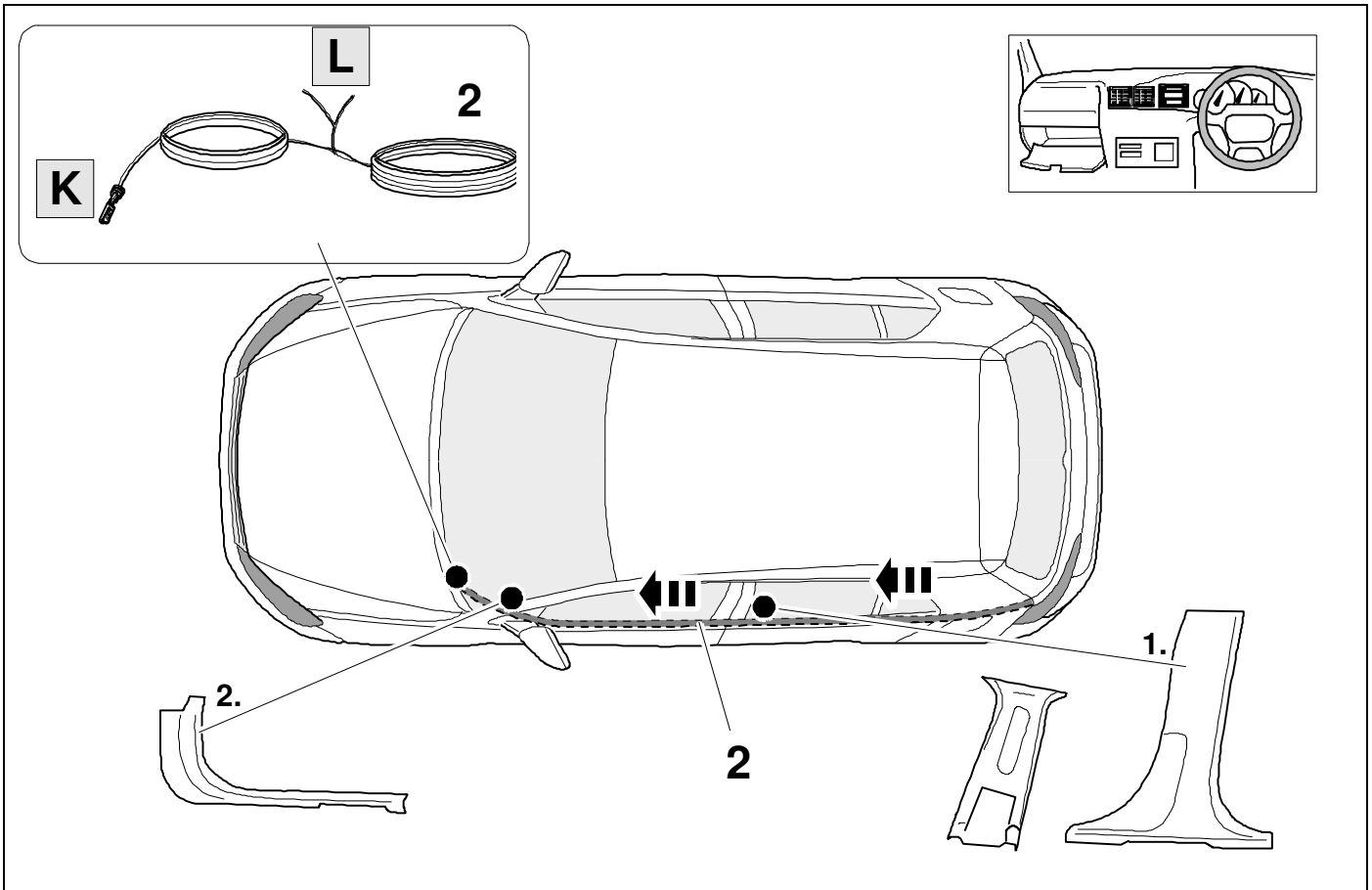
15

OPTION 2



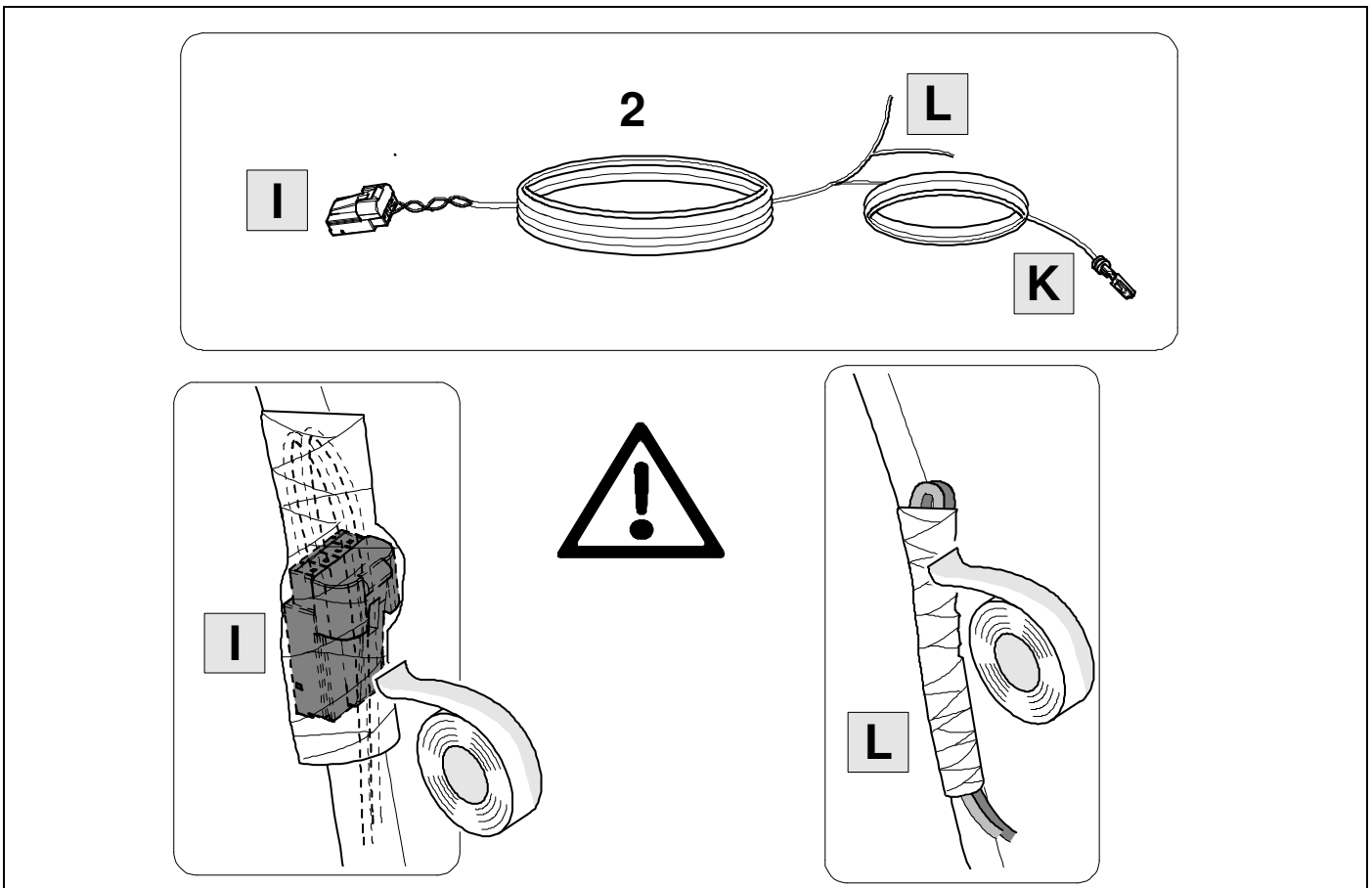
16

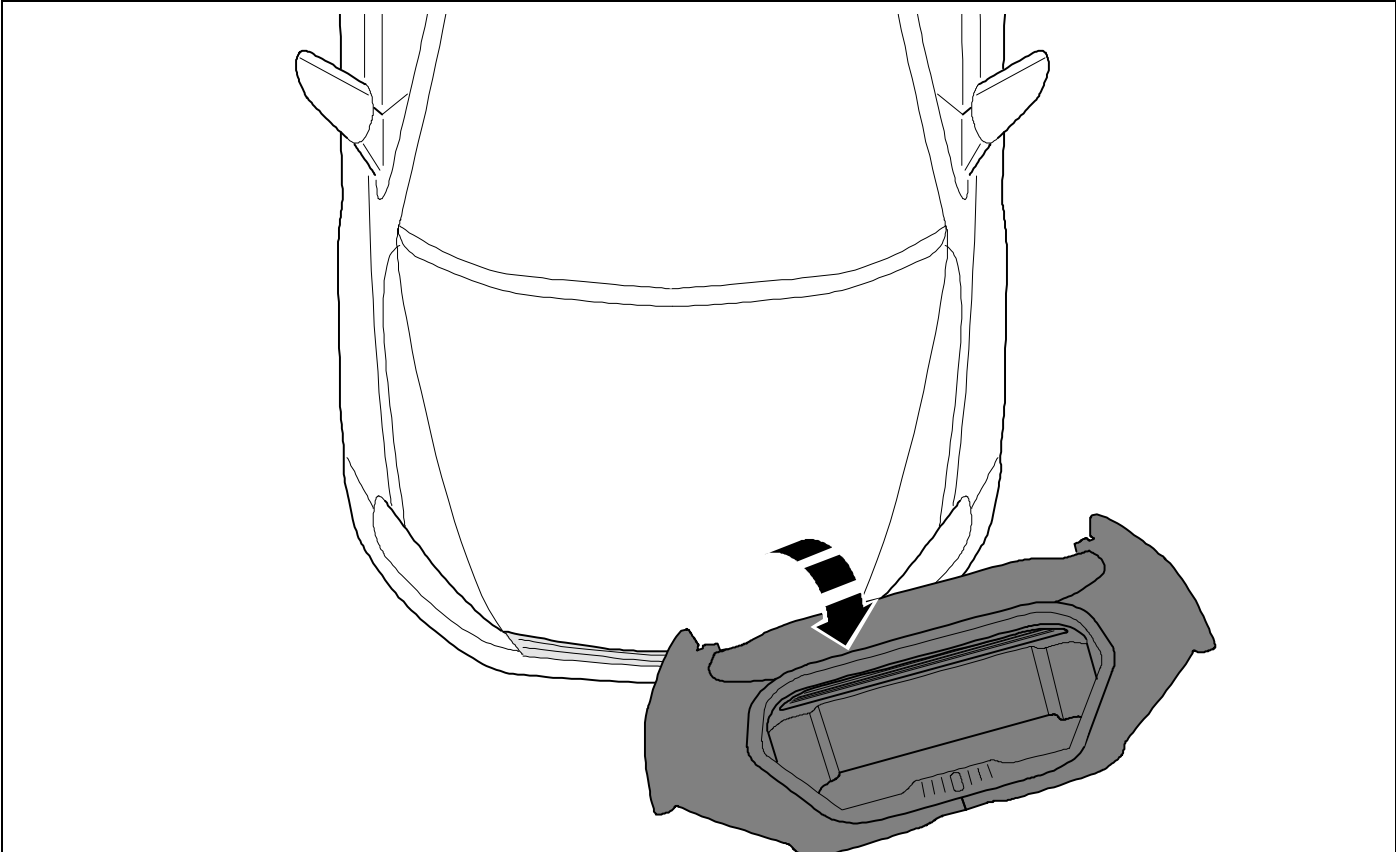
OPTION 2

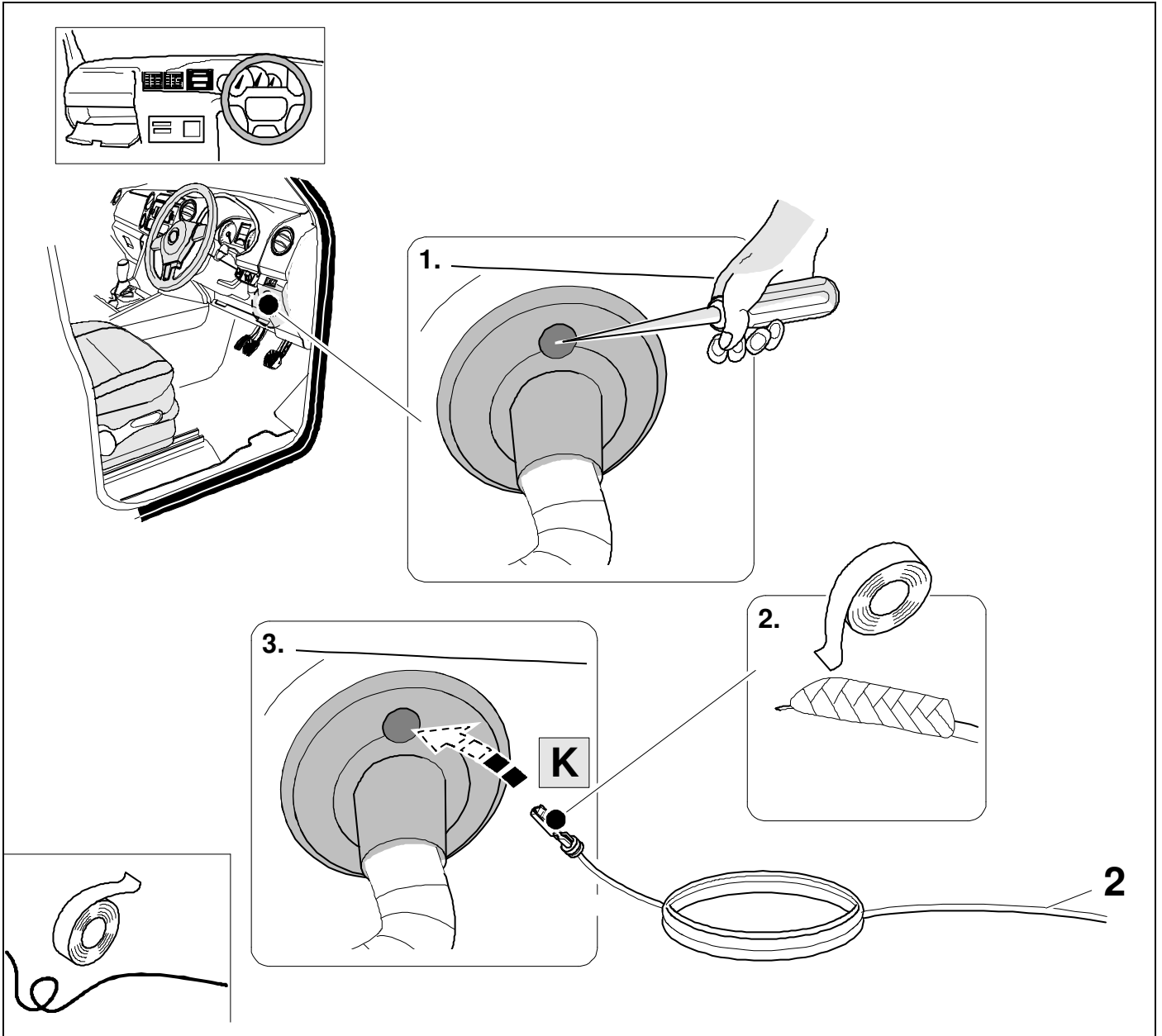


17

OPTION 2

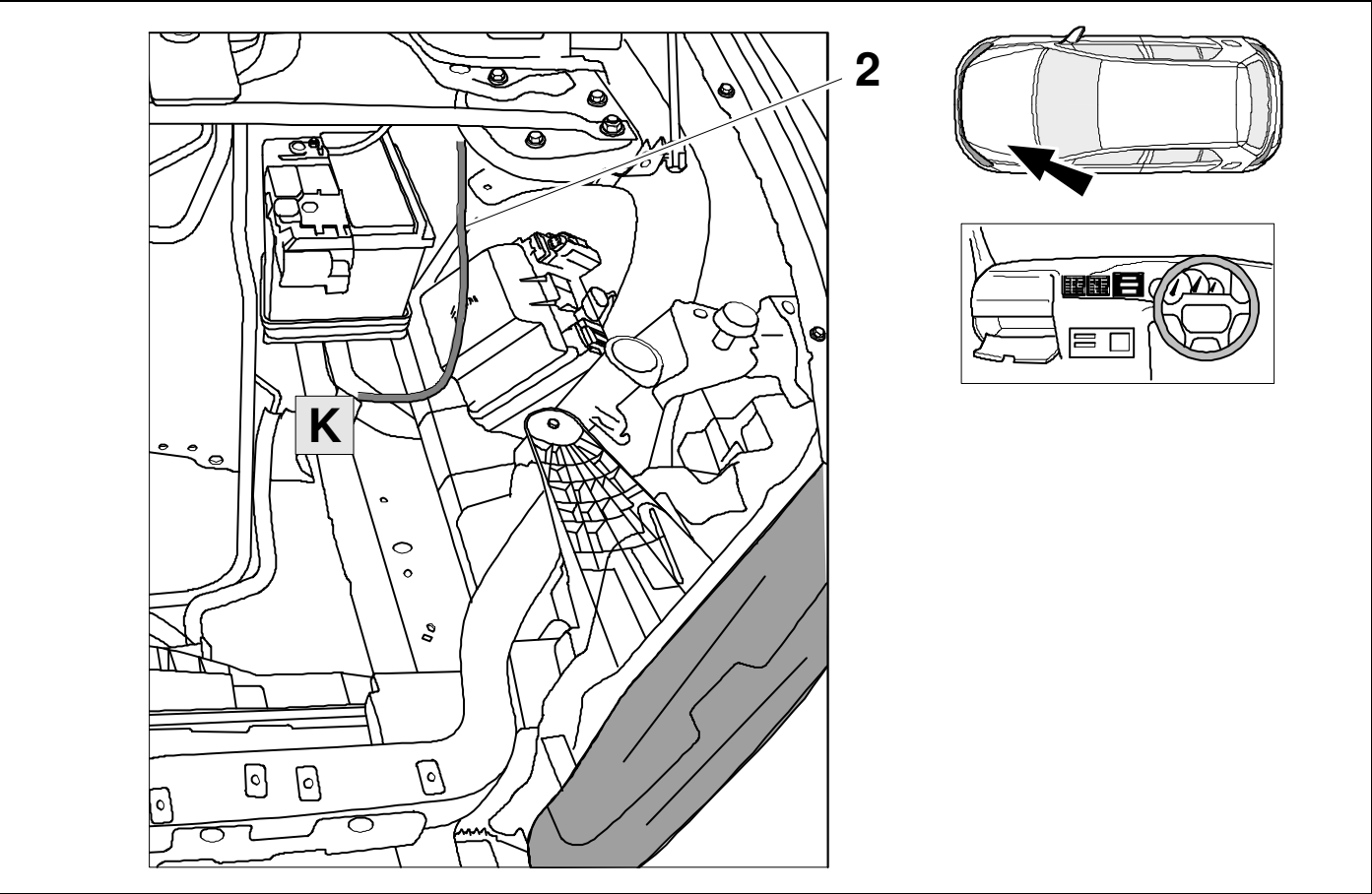






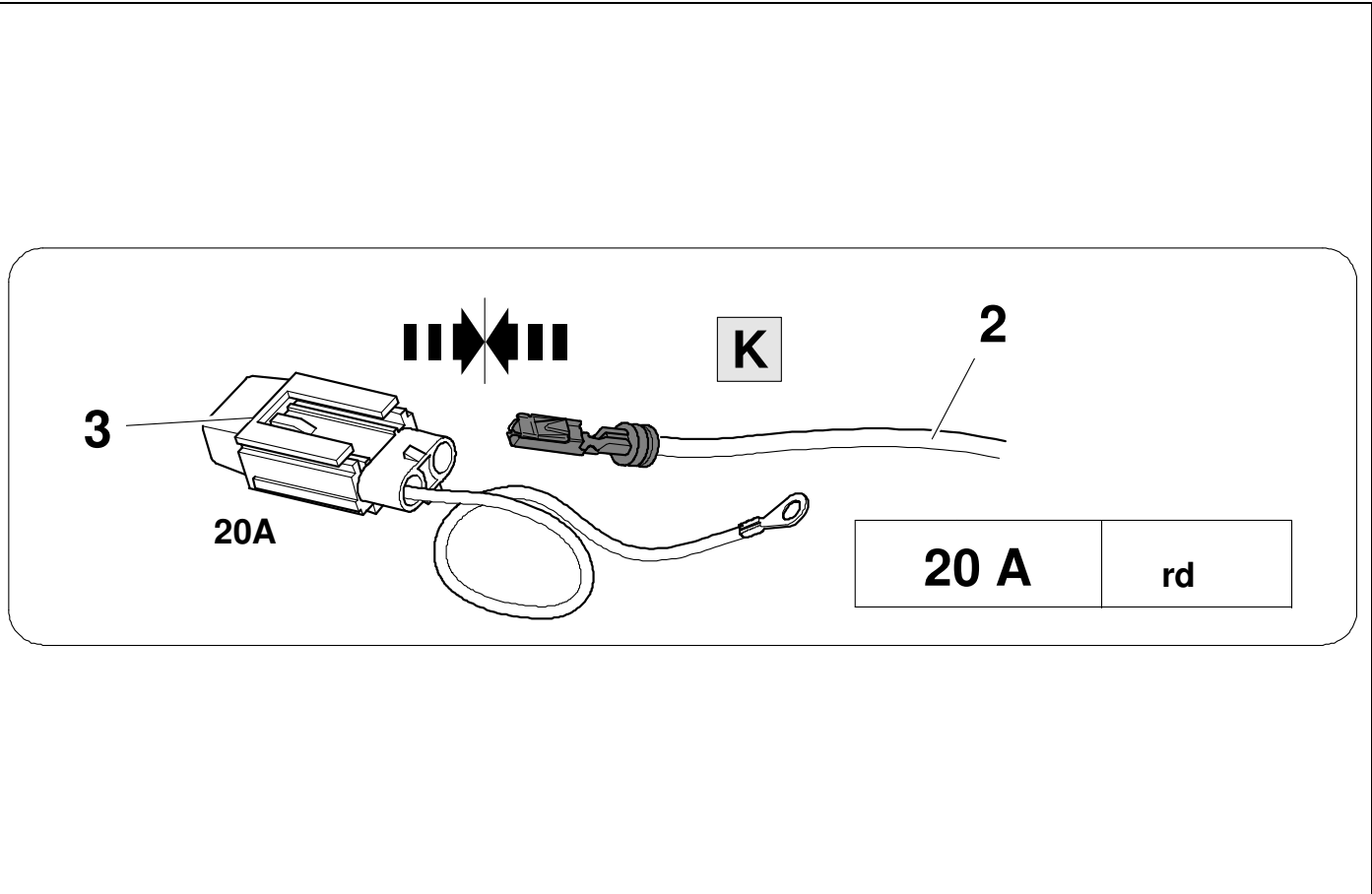
20

OPTION 2



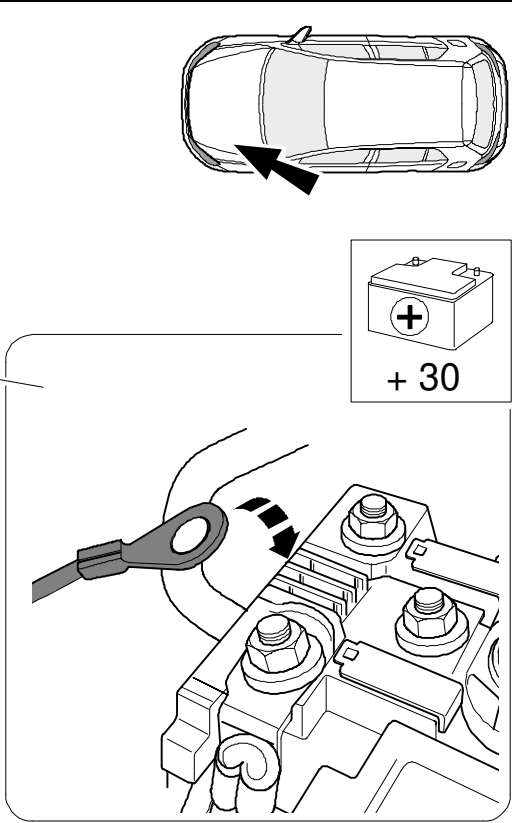
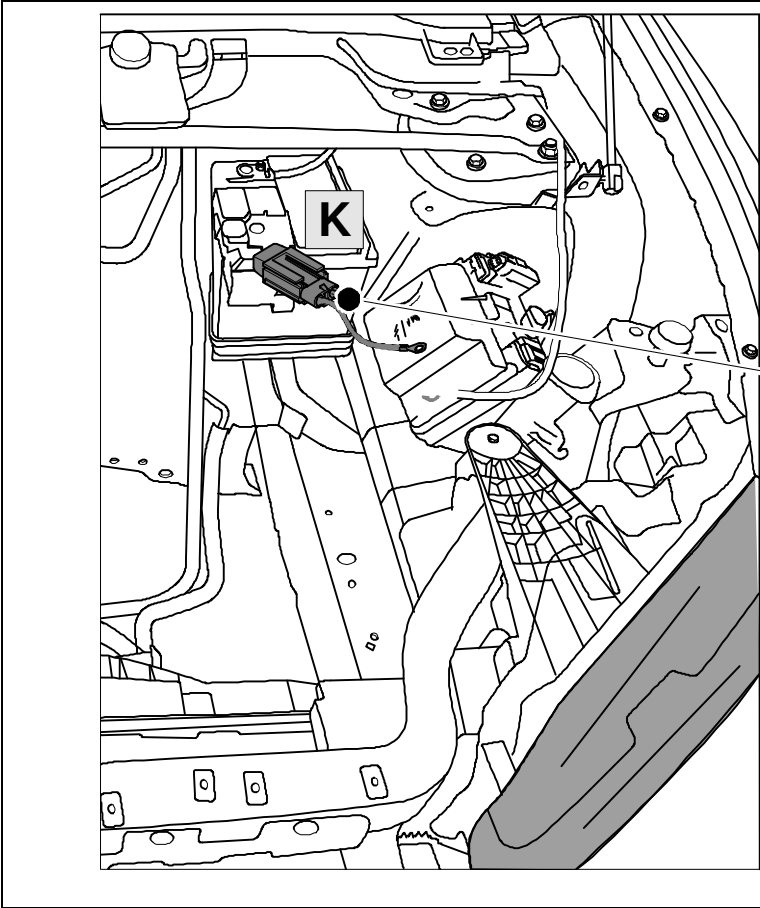
21

OPTION 2



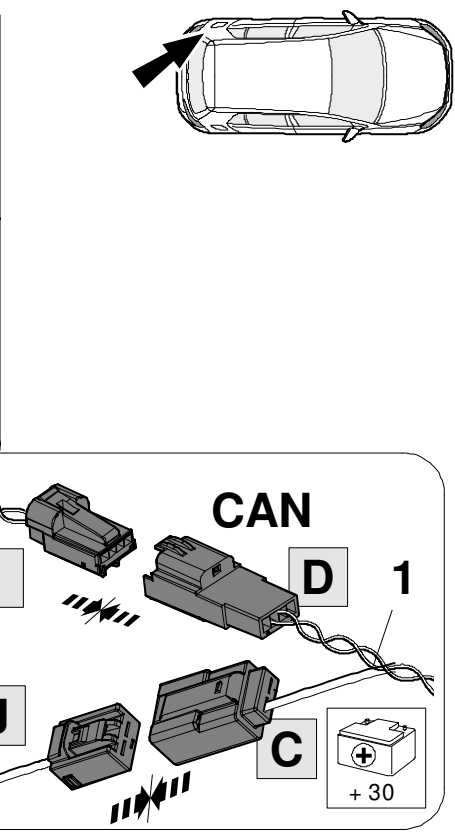
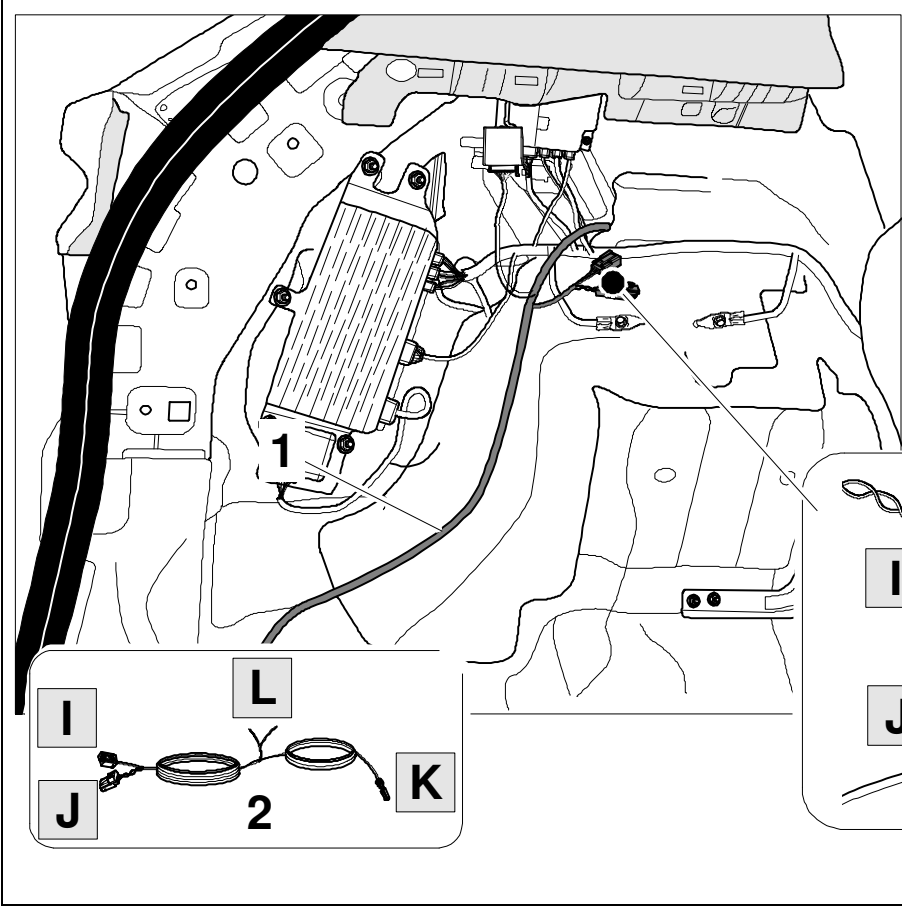
22

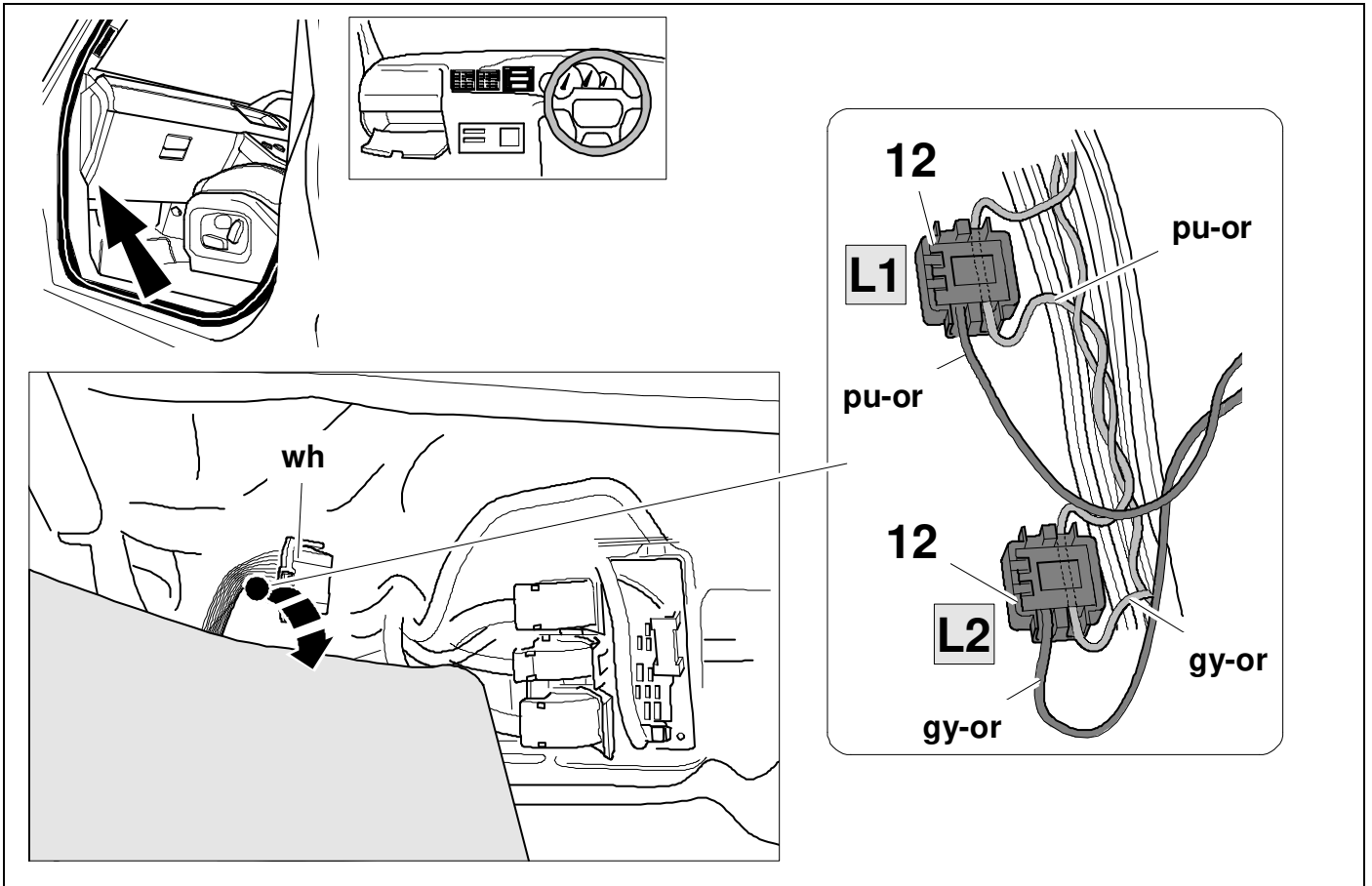
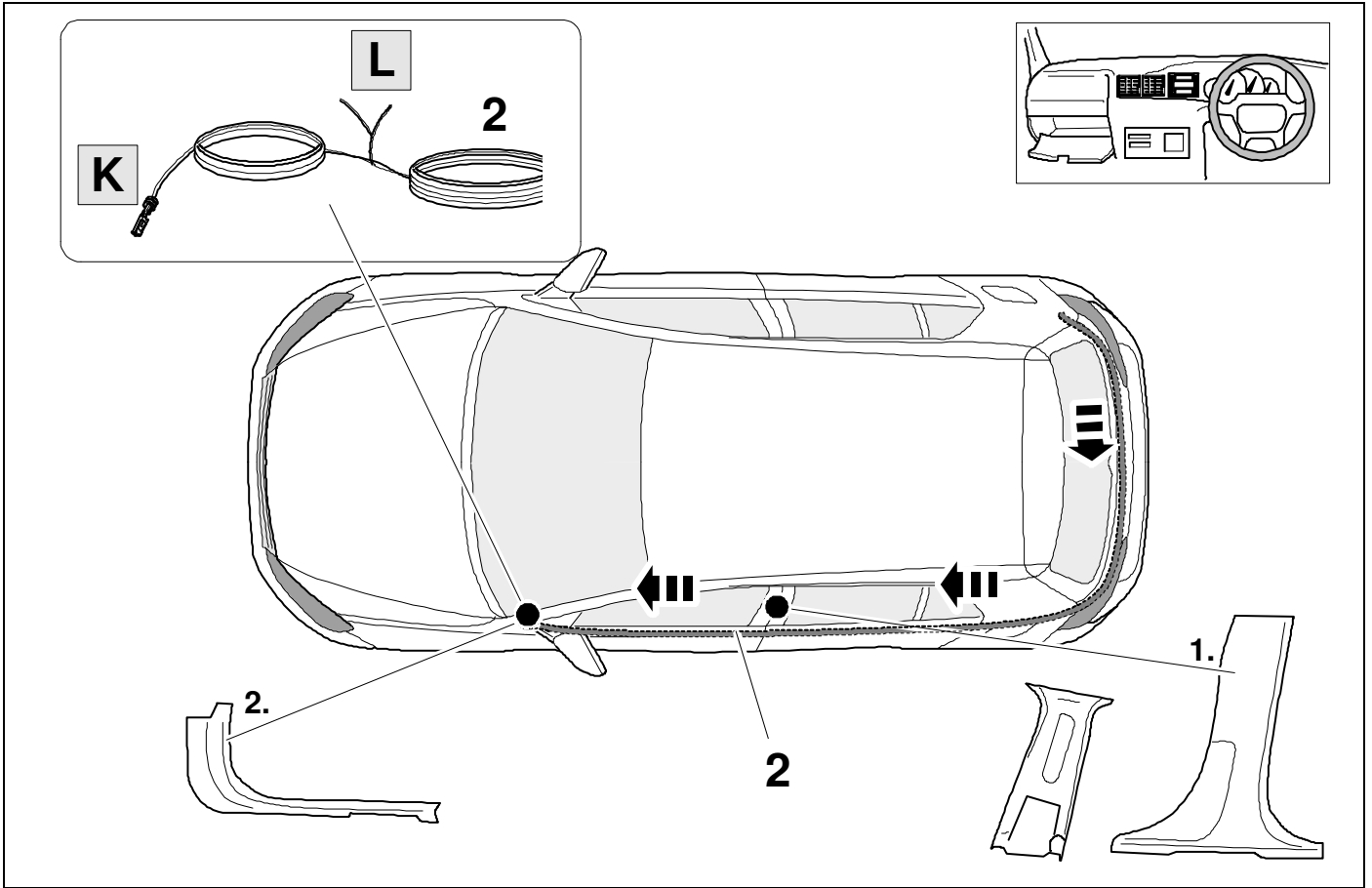
OPTION 2

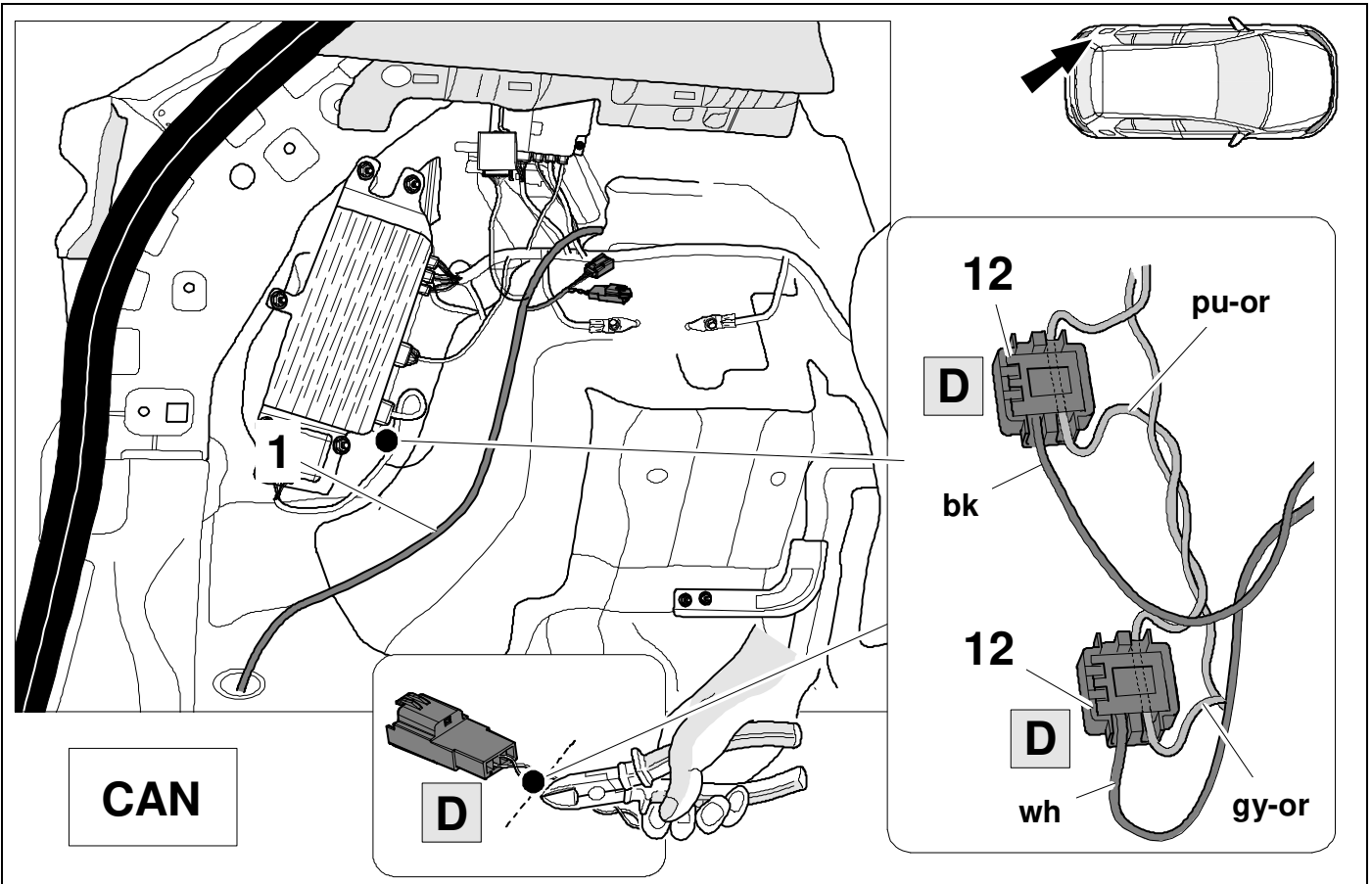
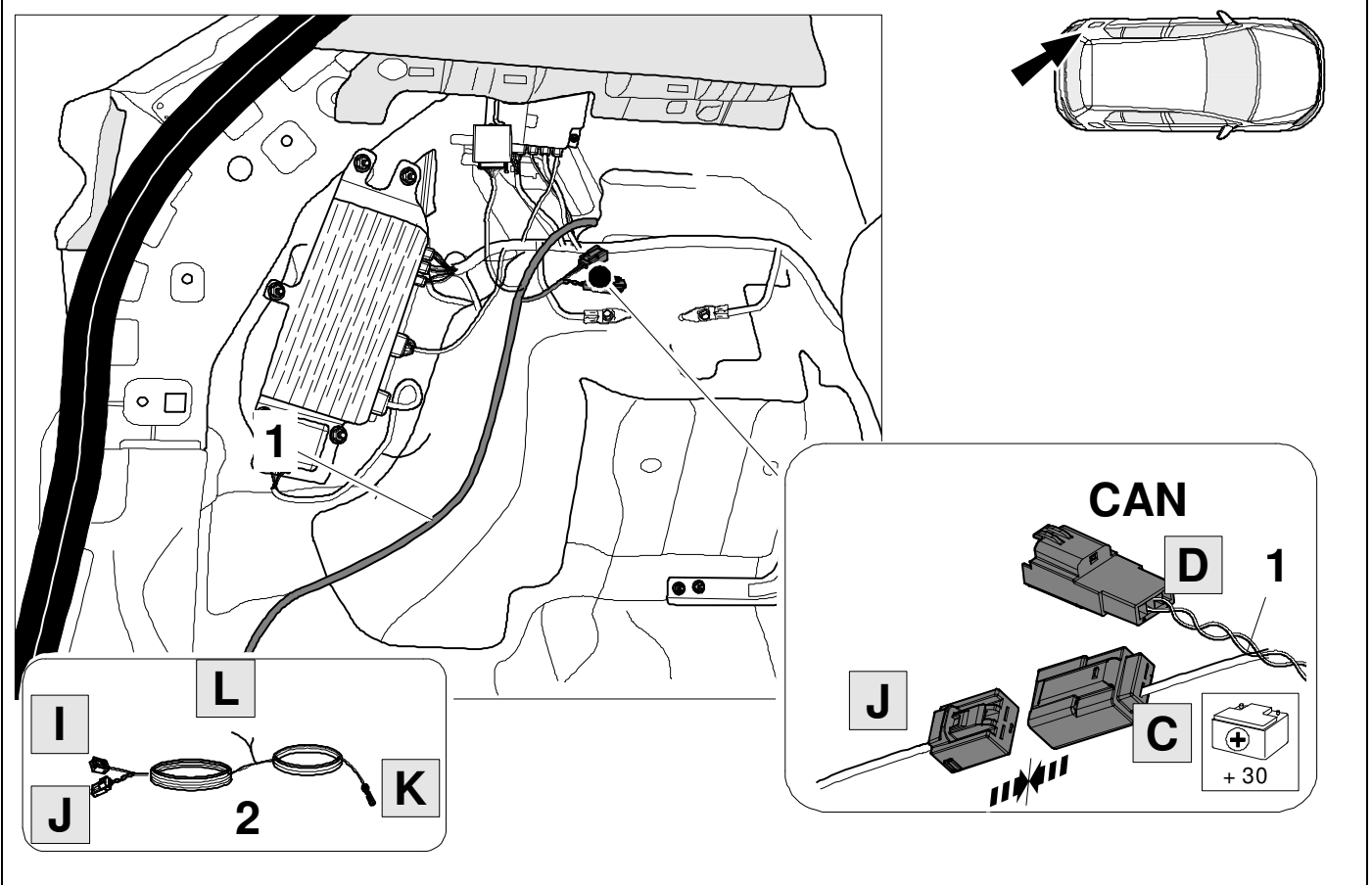


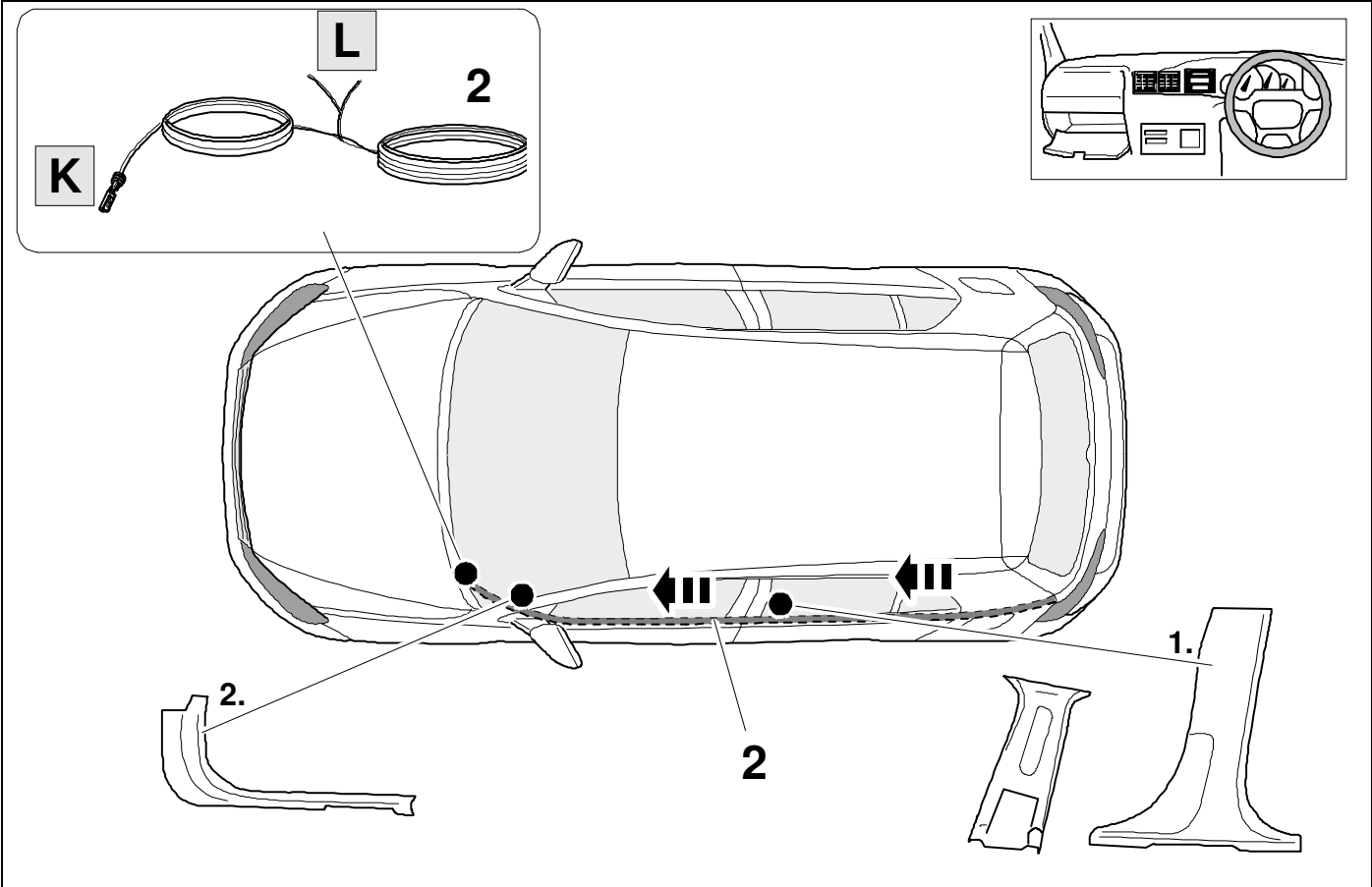
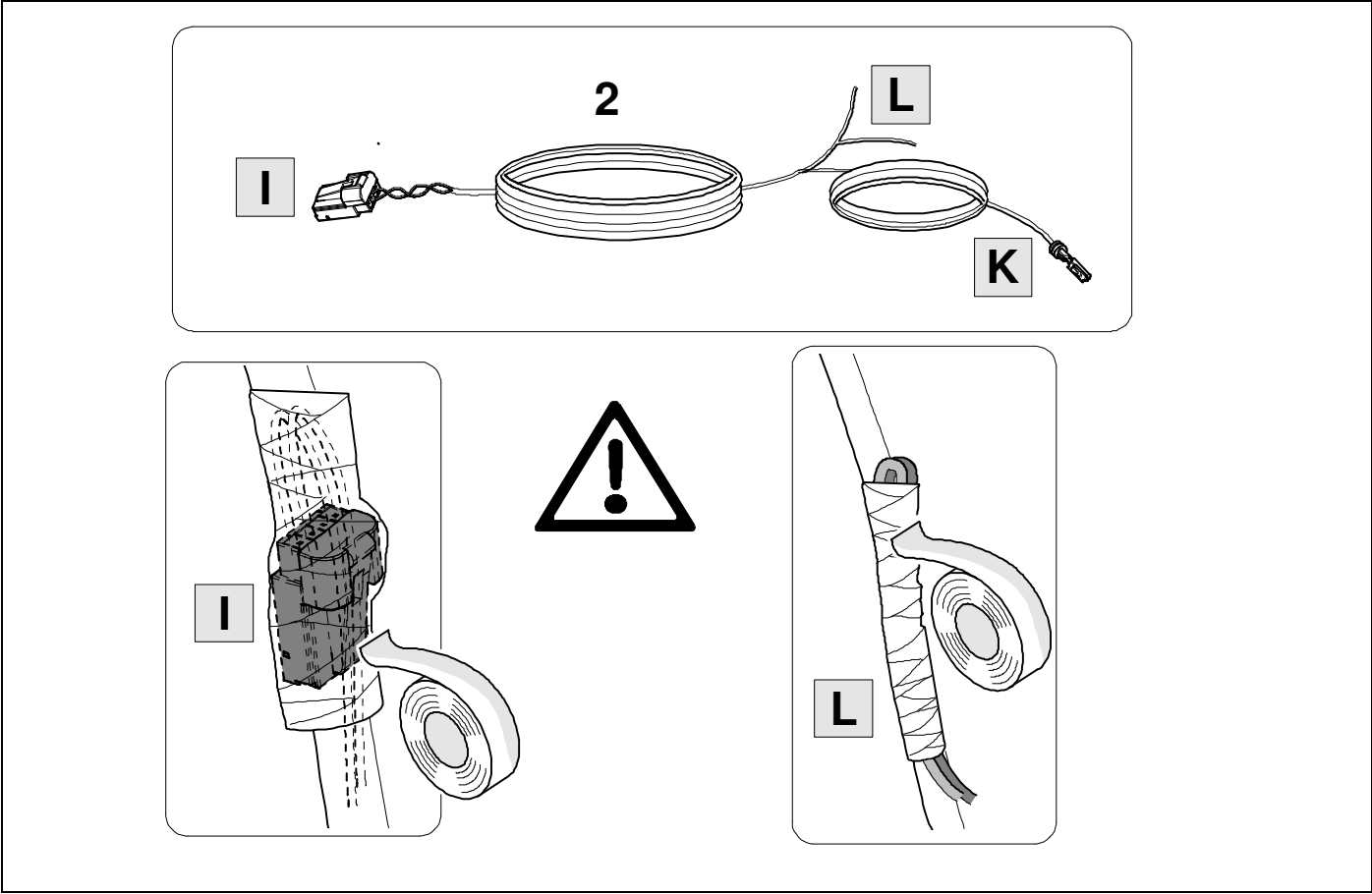
23

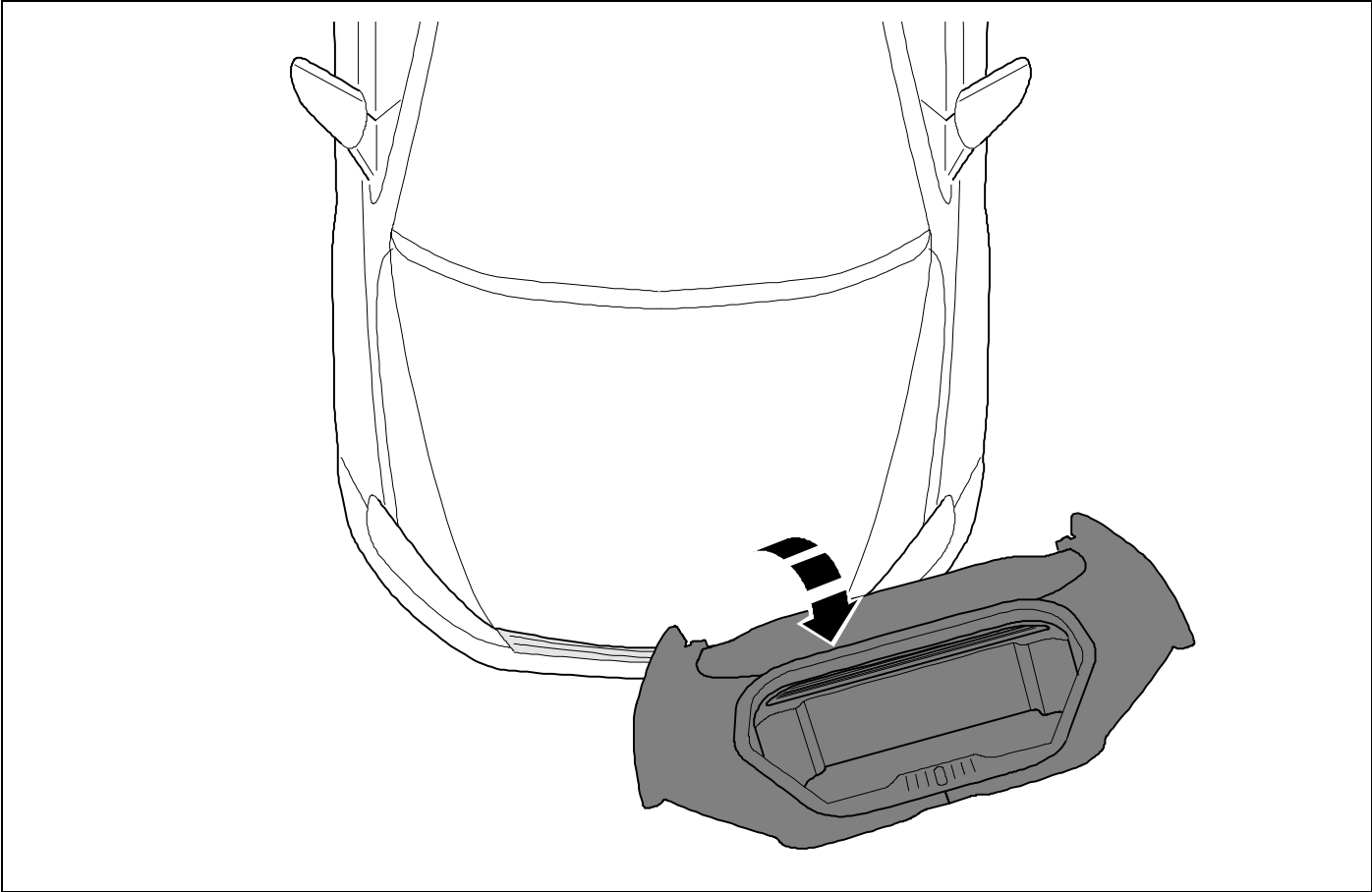
OPTION 3

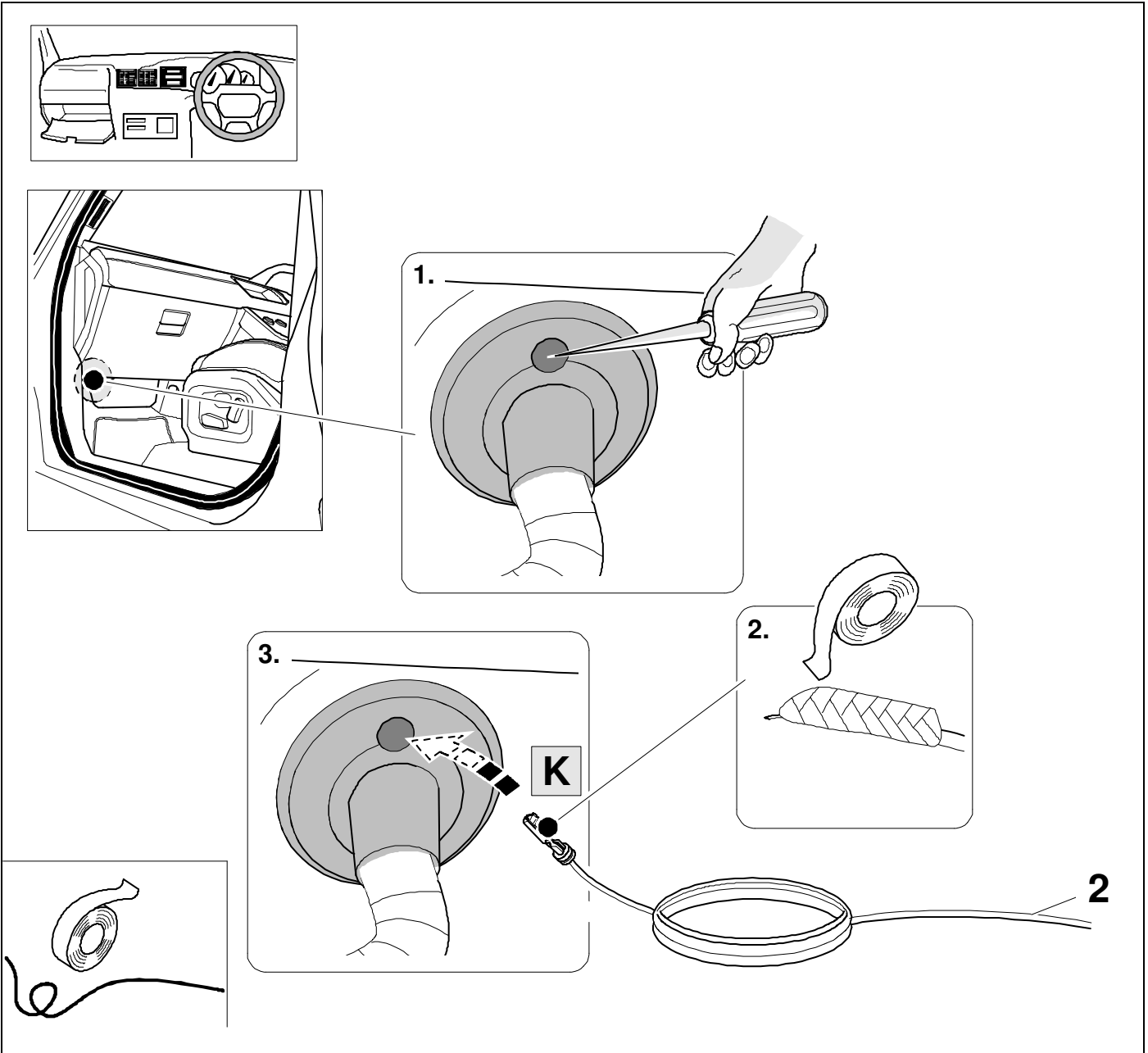






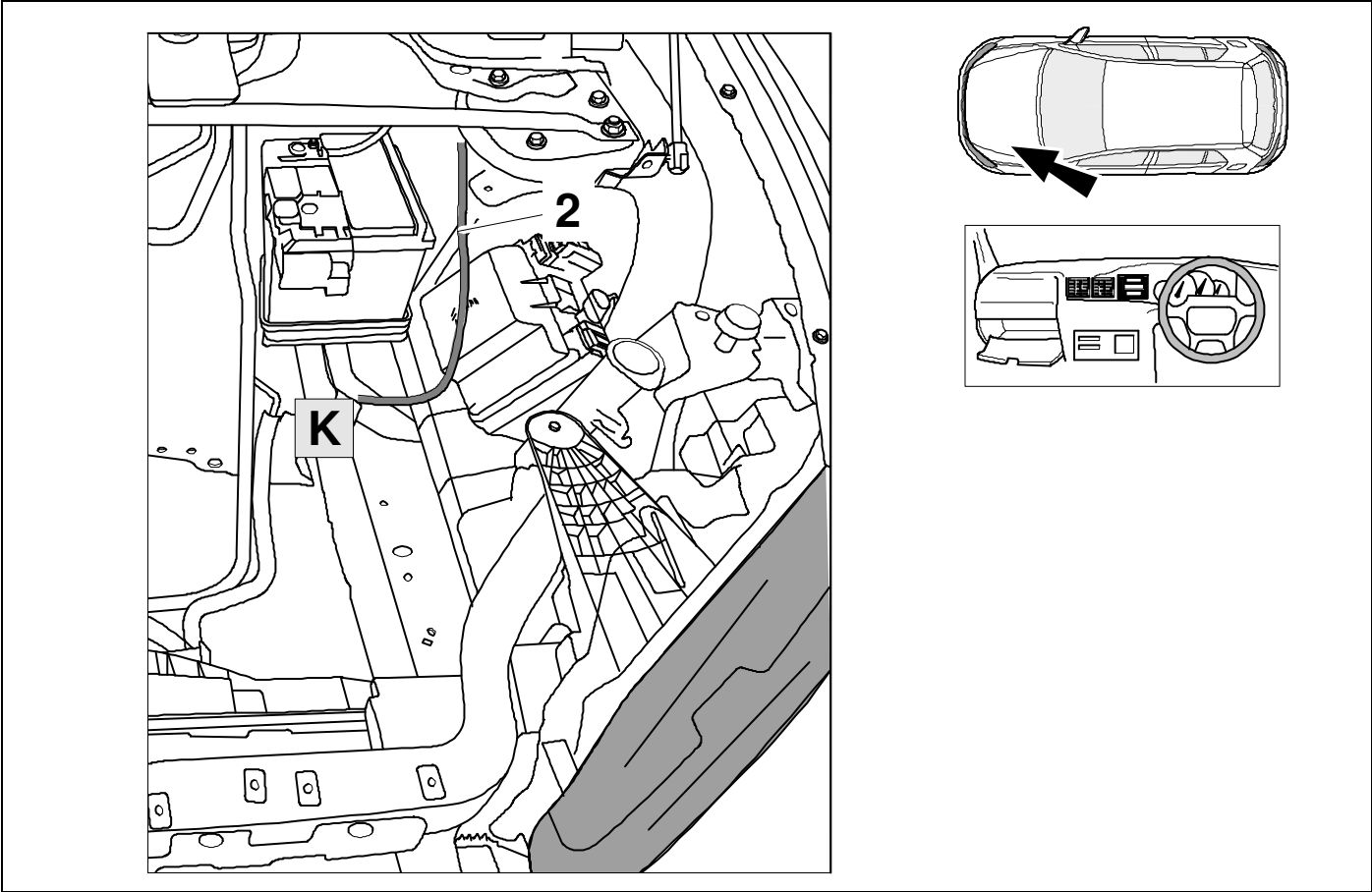






32

OPTION 3,4

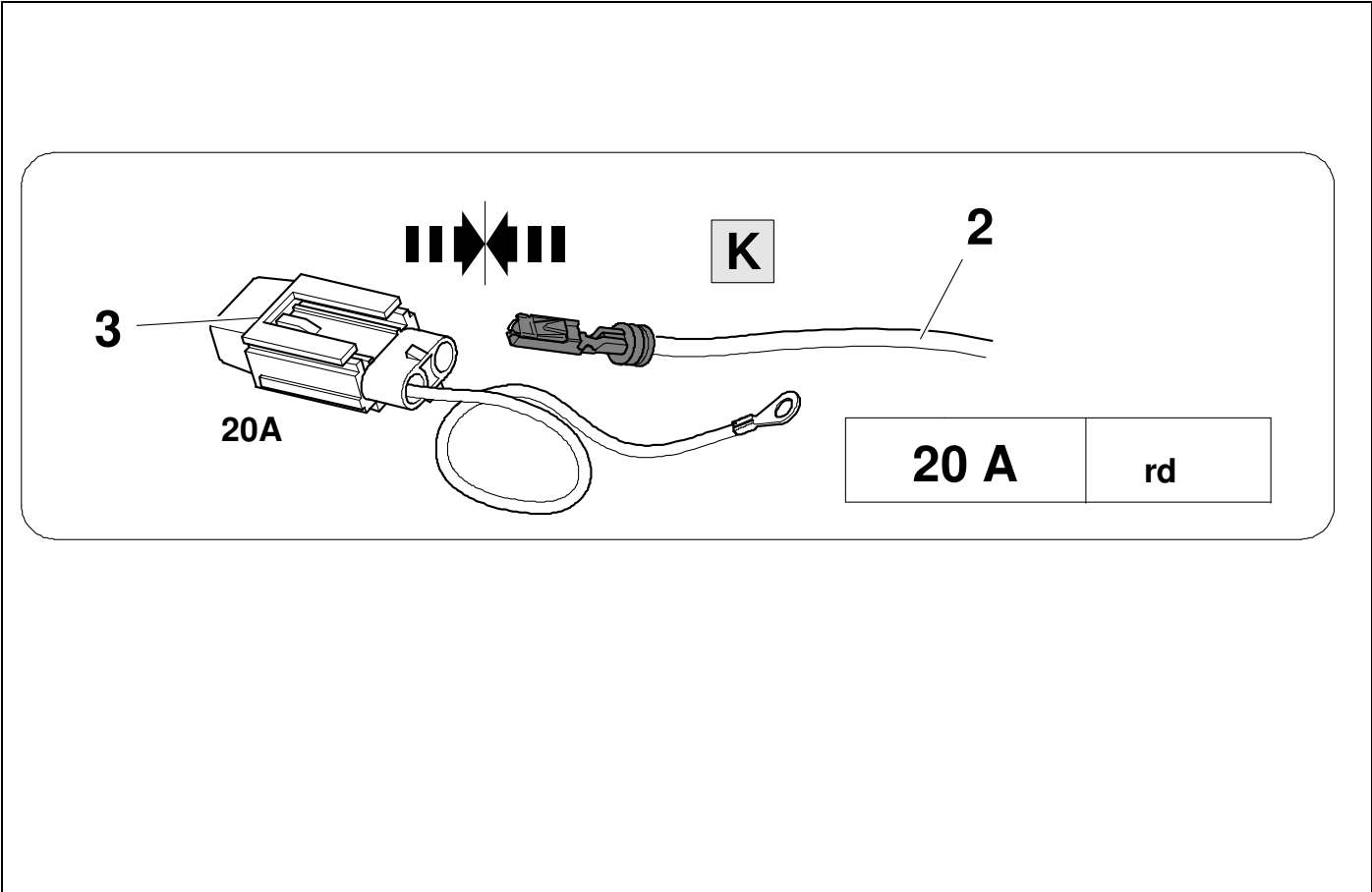


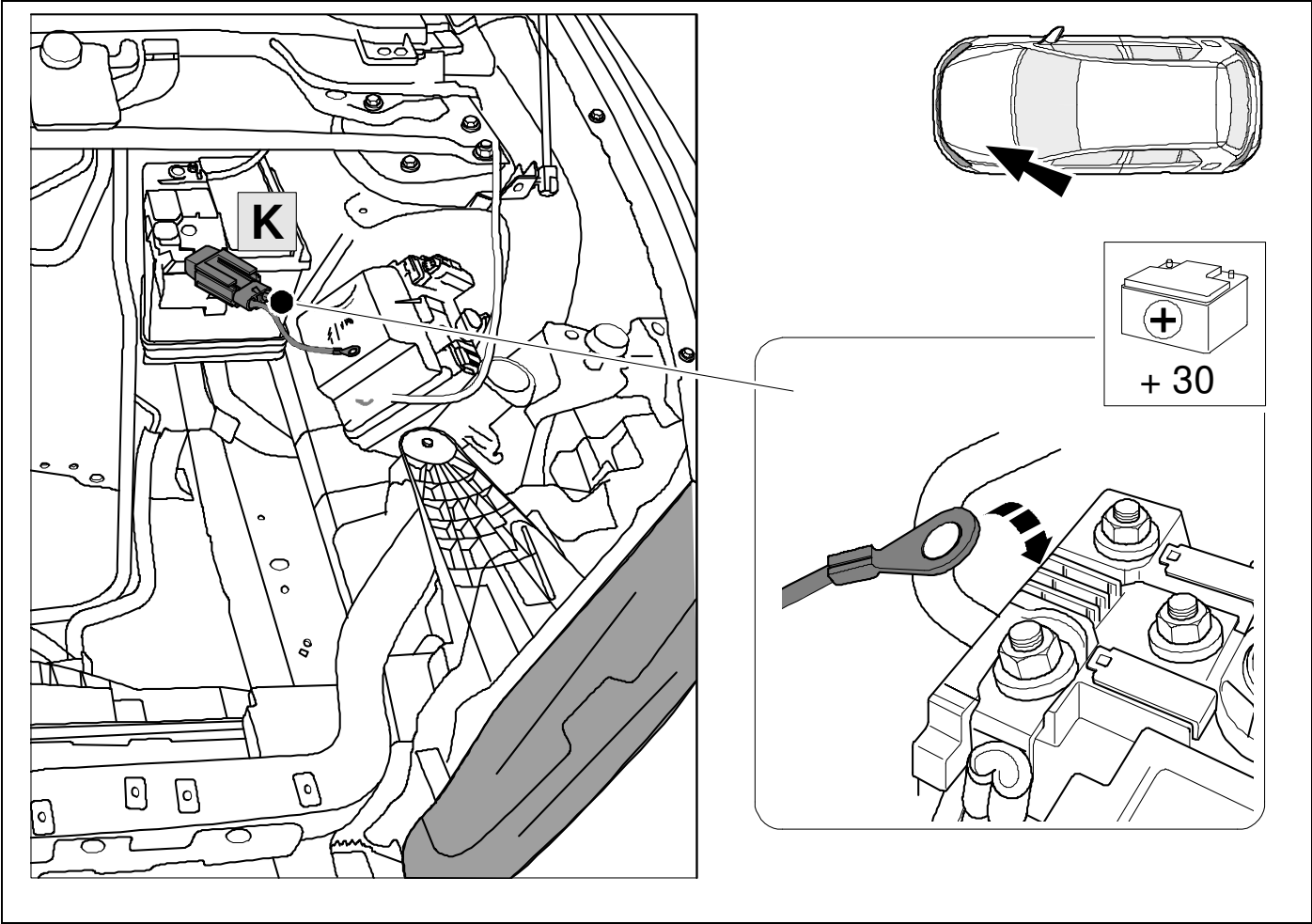
33



8

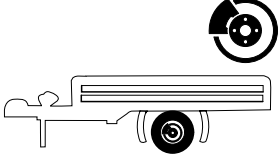
OPTION 3,4



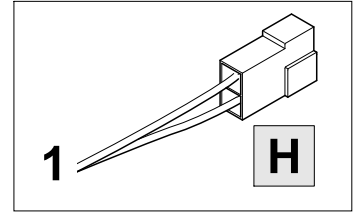




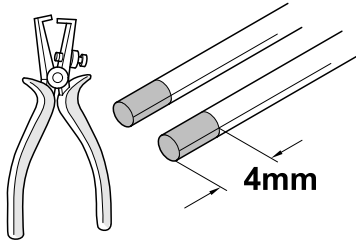
**BRAKE
CONTROLLER
PREPARED**



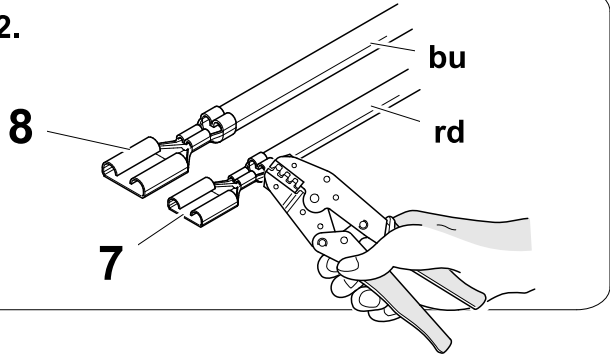
Trailer Brake Preparation



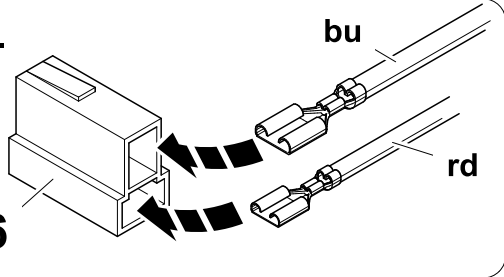
1.



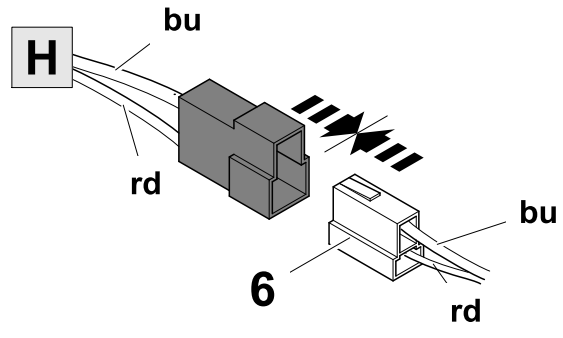
2.



3.



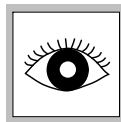
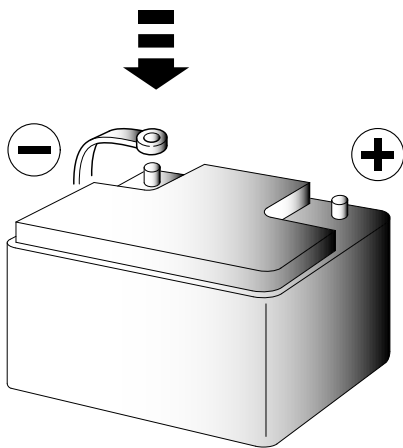
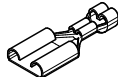
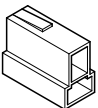
4.



6

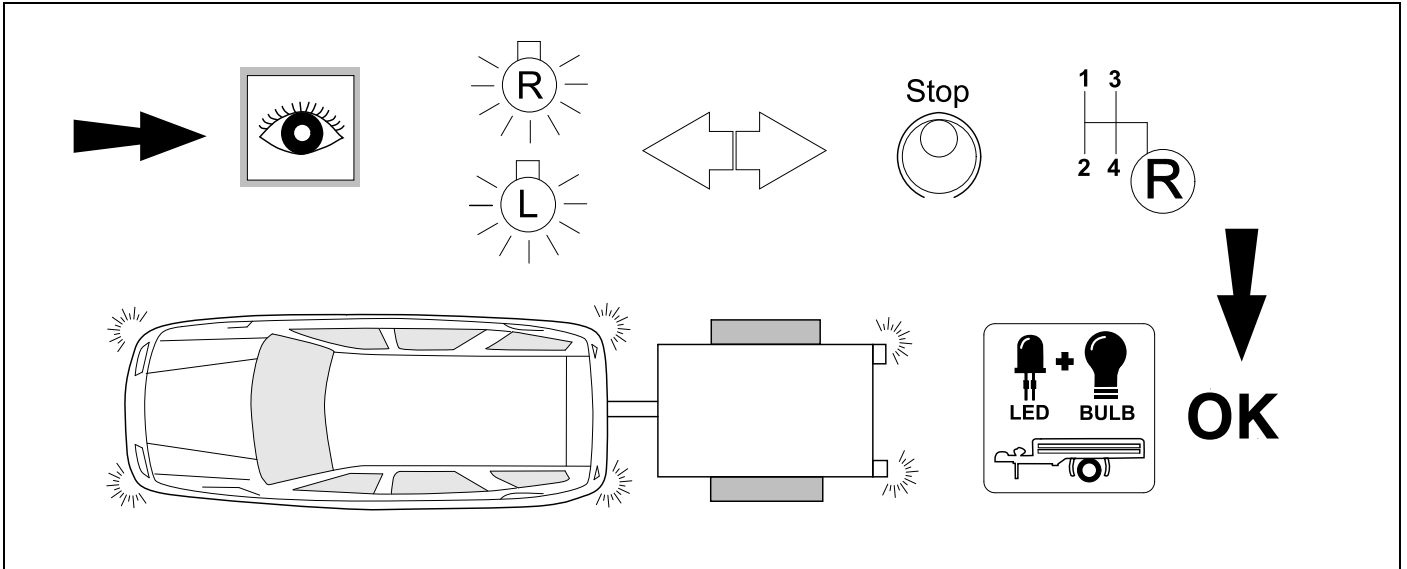
7

8



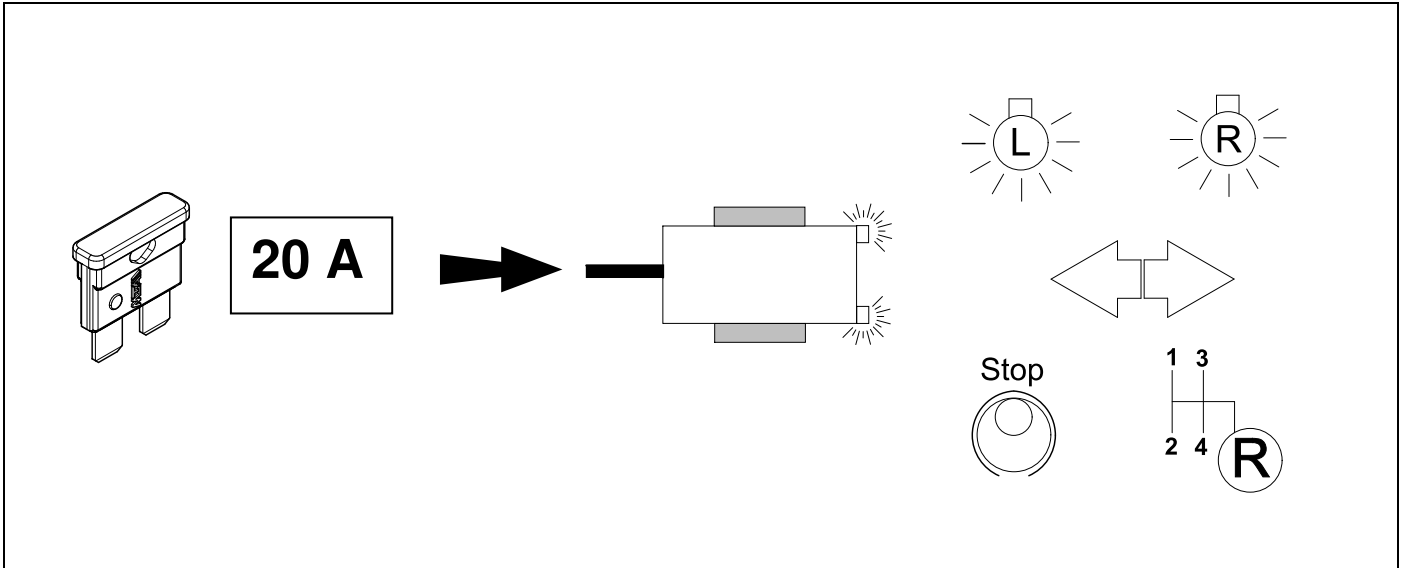
37

CHECK ALL LIGHTING FUNCTIONS



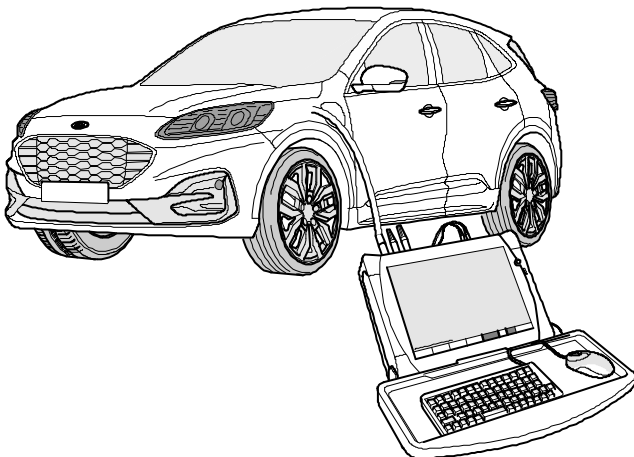
38

Eye icon ⇒ 22 + 34



39

VEHICLE CODING

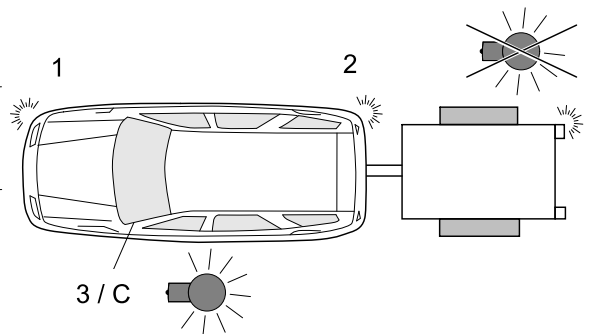
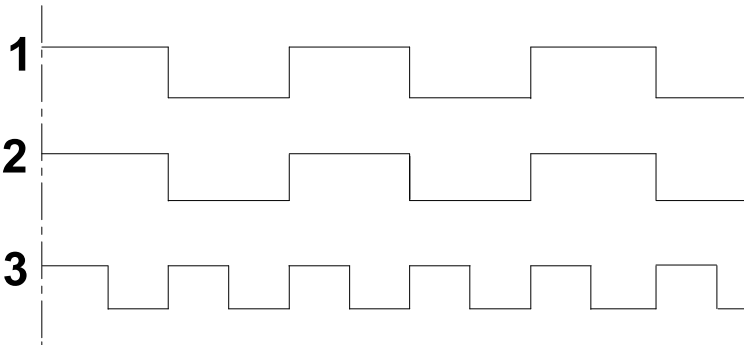


- . Connect with FordEtis
- . Dealer registration
- . Vehicle: enter VIN
- . Vehicle software
- . Changes and Upgrades
- . Configuration of towbar

40

CHECK BULB OUT DETECTION

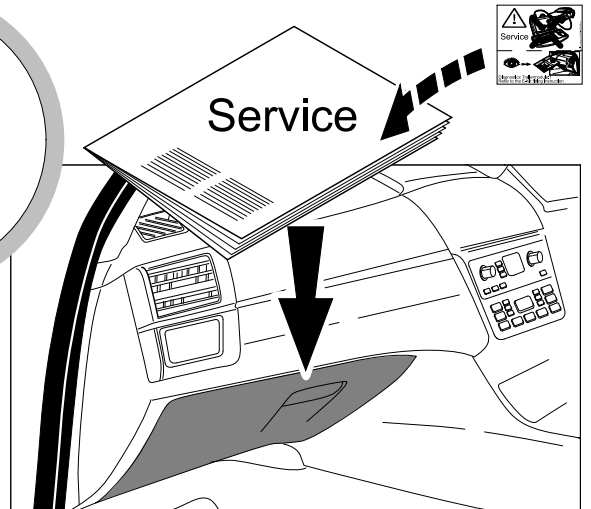
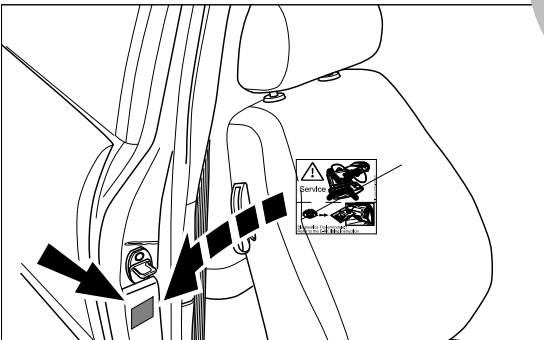
BULB OUT CONDITION INDICATED WITH INCREASED INDICATOR FREQUENCY



41

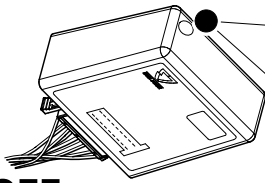


2x 13



Status LED for self-diagnosis

Operation support



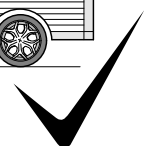
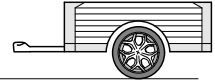
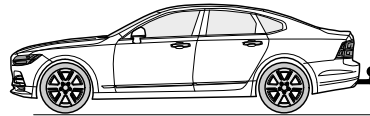
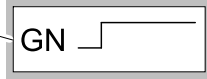
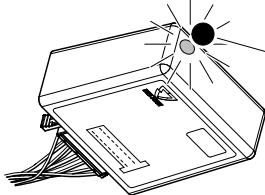
No CAN-Data =



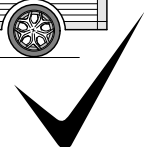
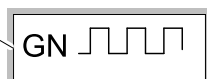
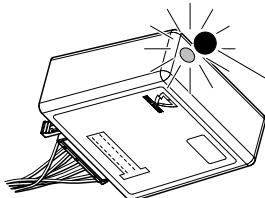
Standby / Sleepmode



Ignition OFF



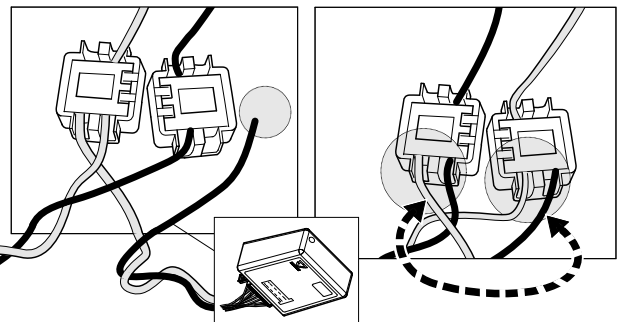
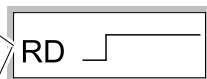
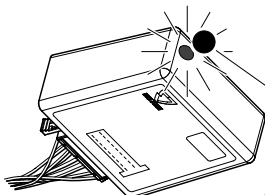
Ignition ON



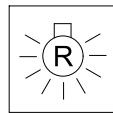
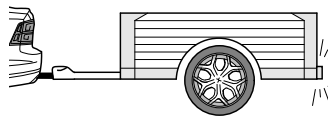
Ignition ON

Failure support

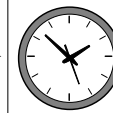
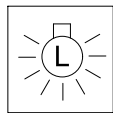
Check CAN-Data Wire



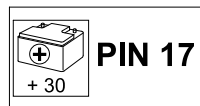
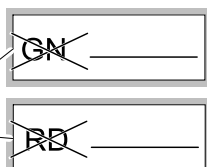
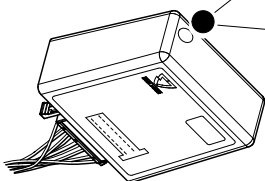
Ignition ON



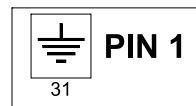
+



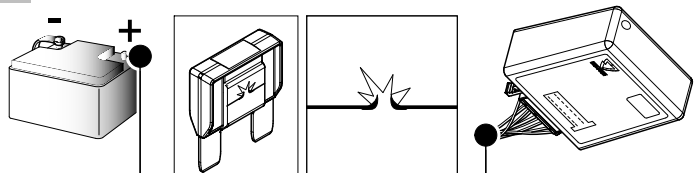
1x max 5 min.

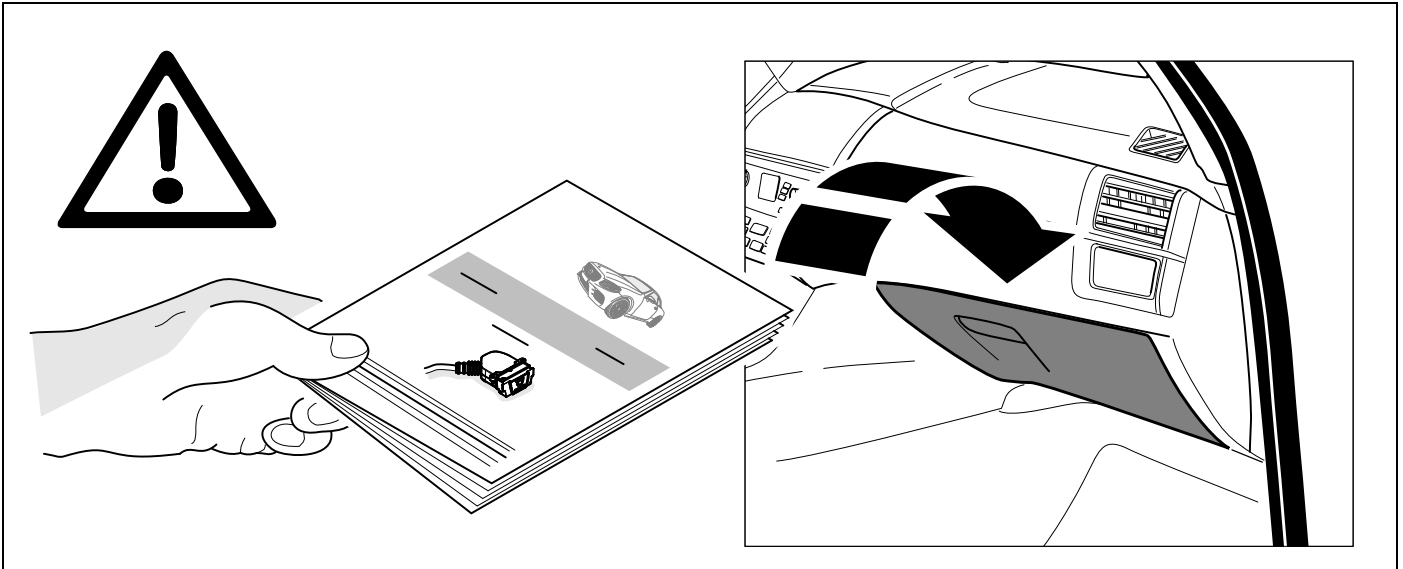


oder / or



Ignition ON





Subject to change in terms of construction, equipment and colour, and may contain errors.

The information and illustrations are non-binding.