

# Fitting Instructions



SKU

**TXR847**

PRODUCT

**TAG Extreme Recovery (XR) Towbar for Mitsubishi Pajero Sport QF (11/2019-on)**

SPECIFICATIONS

- Towbar Class: 4 Heavy Duty XR
- Towing Capacity: 3100kg
- Tow ball Weight: 310kg
- Max Recovery WLL: 4000kg (single)
- Approx. Fitment Time: 2Hr



Scan for latest version of these instructions

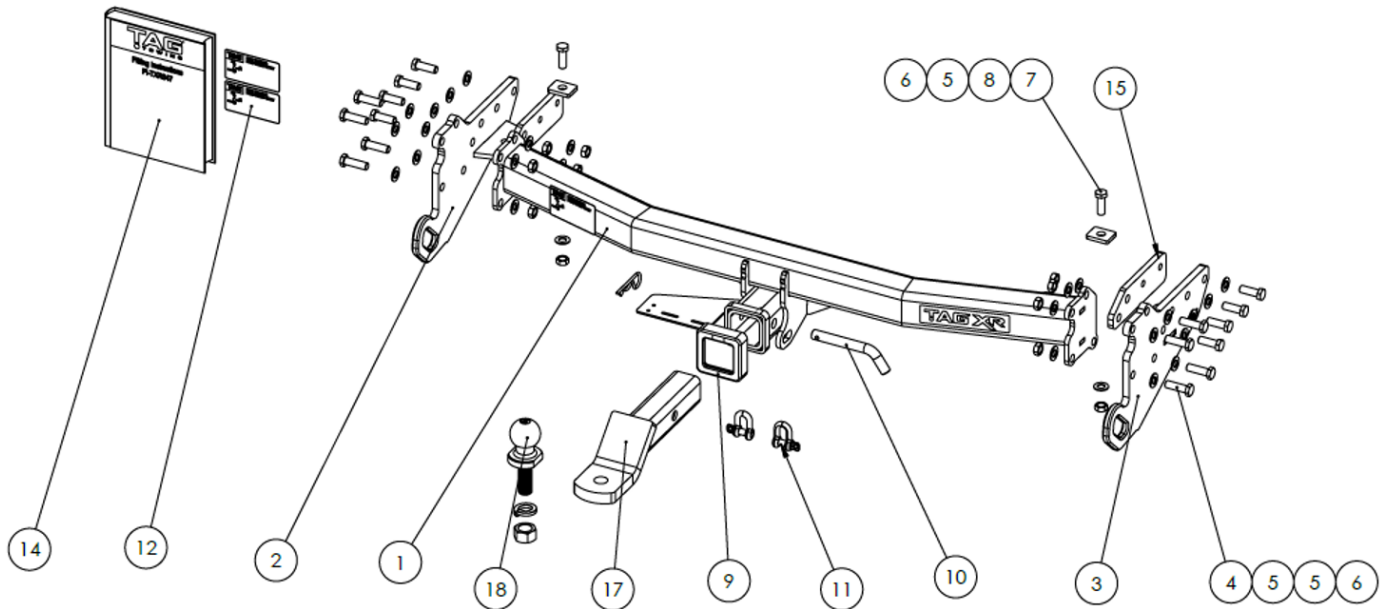
TOOLS REQUIRED

- Spanners
- Sockets
- Air Saw or similar.
- Trim Removal Tool
- Torque Wrench

IN THIS GUIDE

- Fitment Instructions
- Torque Settings
- Warranty Info

# Towbar Assembly



Item No.	Description	QTY.	Item No.	Description	QTY.
1	Main Bar Assembly for T7C811	1	10	Class 4 Pin & Clip	1
2	End Plate Assembly	1	11	D-Shackle - 10mm	2
3	End Plate Assembly DS	1	12	TAG Compliance Sticker	3
4	M12 x 1.25 x 40 Hex Bolt	8	13	TAG XR Sticker 150 x 33mm	1
5	M12 Flat Washer	30	14	Fitting Instruction for TXR847	1
6	M12x1.25 Nut	14	15	Chassis Bolt Plate	2
7	M12 x 1.25 x 35 Hex Bolt	10	16	Tag WLL Sticker (4000kg)	1
8	Top Plate 40x32x6	2	17	L4045 PC Ball Mount	1
9	TAG Hitch Cover	1	18	50mm TAG Tow Ball	1



## Important Information

### Warning:

- This product is for towing purposes only and must only be loaded as shown in your vehicle Owner's Manual.
- This towbar is NOT to be drilled, cut, welded, or modified in any way.
- Check behind chassis rail and body panels before drilling to ensure no hazards are present.
- All load ratings shown are under the assumption your trailer has a functional braking system installed.
- When installed in positions other than the one depicted in these instructions the Tow Ball Mount may interfere or obstruct certain features of your vehicle (tailgate opening, Chassis clearance, etc.)

### General:

- Before fitting this towbar read fitting instructions and check installation hardware is correct.
- Check that the towbar is suitable for the vehicle and be wary of any changes to the vehicle design that may conflict with the fitting of this towbar. (Tray, Canopy, Suspension etc.)
- After drilling, blow any filings clear, remove any swarf and treat exposed metal with a rust inhibitor.
- The high tensile fasteners supplied with this product are an integral feature to achieving the specified rating, if replacement is required ensure that fasteners of the same grade (8.8) & quality are used. Contact an authorised TAG distributor or the TAG fitment center - (07) 3208 3022 - if further information is required.

### Towbar Maintenance and Care:

It is recommended, when not in use, that the Tow Ball Mount assembly and class 4 Pin and Clip is stored inside the car away from moisture to prevent standing water from forming rust. Inspect to ensure, on regular basis, fasteners are torqued to the specifications below and in good condition.

Ensure that the fitting instructions are read and understood prior to fitment  
Place these instructions in the vehicle's glovebox after installation is completed.

<i>Metric Bolt Torque Settings</i>										
Diameter	Pitch	Grade	Torque	Unit		Diameter	Pitch	Grade	Torque	Unit
M8	1.25	8.8	29	Nm		M12	1.50	8.8	97	Nm
M10	1.25	8.8	57	Nm		M12	1.75	8.8	77	Nm
M10	1.50	8.8	44	Nm		M14	2.00	8.8	122	Nm
M12	1.25	8.8	101	Nm		M16	2.00	8.8	190	Nm

# Installation Instructions

## Step 1: Remove Rear Bumper

- a. Lift tailgate & lower spare tyre.
- b. Remove 3x screws from taillight assemblies (**Upper screw is behind the strut**). Pull taillight rearwards.
- c. Remove the tailgate stopper & plastic surround via 2x bolts.
- d. Remove 1x screw from the bumper.
- e. Repeat on opposite side.
- f. Remove 2x screws securing the mudflap to the wheel arch, 1x upper screw fastening the bumper to the guard and 1x screw behind the mudflap.
- g. Repeat on opposite side.
- h. Remove 2 scrivenets on the rear most underside of the bumper.
- i. Beginning at each wheel arch, carefully separate the bumper from the guard and remove the bumper.
- j. Disconnect the harness from the LHS of the vehicle.
- k. Remove towing/ shipping hook if fitted.



---

## Step 2: Fit Towbar

---

**\*When fitting endplates to chassis, be aware of the lane departure radar harness attached to the body. Dislodge the fixing points from the body to prevent it from being pinched/ broken.**

- a. Insert a large loose plate into the chassis to align with side holes.
- b. Fit end plate to chassis with 2x M12x1.25 bolts, washers & nuts into rearmost side holes. Leave loose.
- c. Insert M12x1.25 bolts with flat washers into forward most holes and fasten loosely into tapped threads of chassis plate.
- d. Insert M12x1.25 bolt with square plate down through vertical hole in chassis and loosely fasten with nut & washer.
- e. Repeat on opposite side.
- f. Lift main bar assembly up to end plates and align holes. Insert 4x M12x1.25 bolts with flat washers into each side and fasten loosely.
- g. Beginning with the chassis, tighten all bolts to the torque specification (Pg 3).



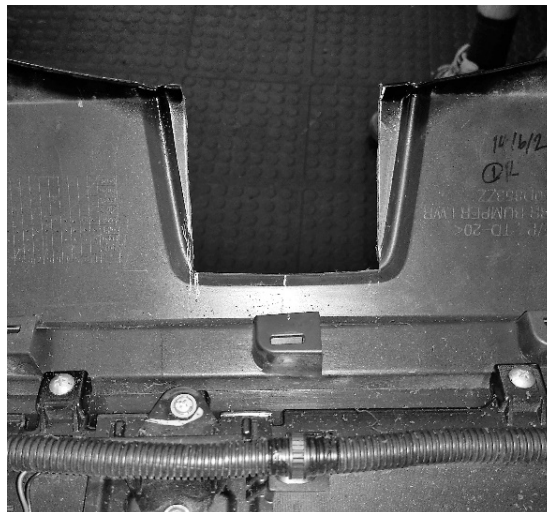
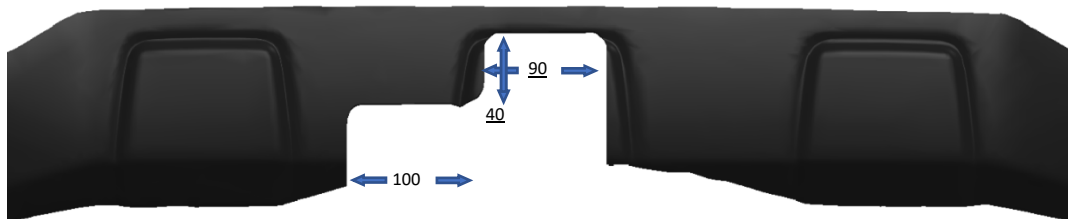
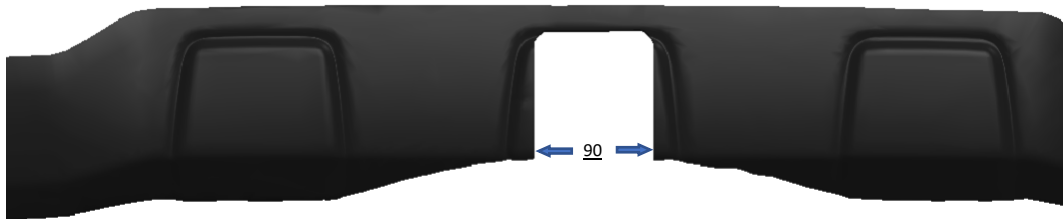
---

### Step 3: Bumper Cut

---

**Note:** The towbar installer is ultimately responsible for the location & quality of the bumper cut. To avoid mistakes, please use the following measurements as a guide only. We suggest making small incremental cuts and regularly test fit the bumper to ensure an accurate and tidy appearance. The additional application of rubber pinch-weld around the cut edge ensures a neat & tidy look.

Establish the centre of the bumper & mark. Measure 45mm either side of the centreline. Mark the top of the cut-out at the high point of the centre bumper indent/ feature. See photo. Alternatively, use the 2<sup>nd</sup> diagram, should the customer want the trailer plug mounted to the top of the plug bracket.



---

### Step 3: Bumper Cut

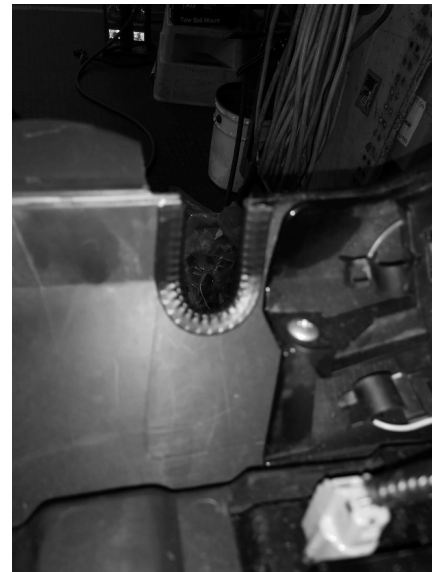
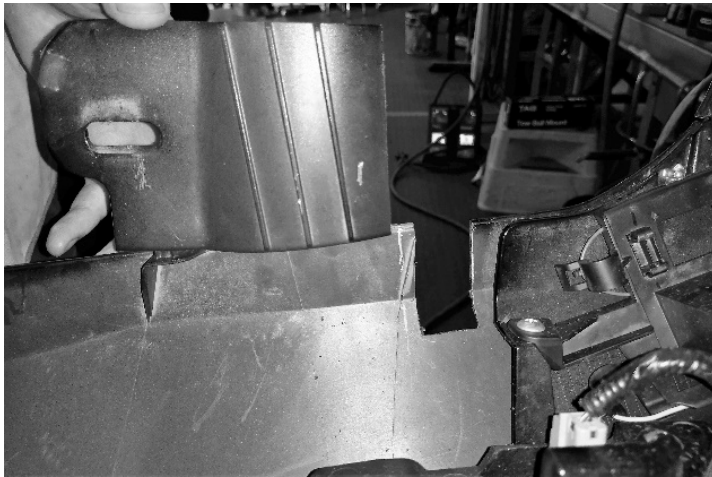
---

The outer bumper must also be cut to suit the recovery eyes. Measure 525mm either side of centre and a further 25mm toward the outside. Mark the cut out 55mm in depth.

**\*Note: The driver's side cut-out will eliminate the outer side of the plastic exhaust shield feature. Retain the inner side as it is required to pin the bumper back to the body with the plastic scrivet.**

Using an air hacksaw or similar tool, cut the bumper. De-burr all cuts. Apply the included rubber pinch-weld to the recovery eye cut-outs and cut off any excess as close to the plastic bumper as possible.

Refit the bumper in reverse of steps 1a-j.



---

### Step 4: Fit Ball Mount and Apply Door Sticker

---

- Attach plastic hitch surround to receiver.
- Insert ball mount into hitch receiver and secure with the pull pin and R-clip.
- Apply one of the compliance labels to the pillar of the driver's door.
- Leave the remaining label & the fitting instructions in the vehicle handbook.





## **TAG Warranty Statement**

SWD warrants your TAG Towbar for its full product life under the following conditions:

- You can show proof of purchase.
- The towbar has been correctly installed by a suitably qualified installer.
- The towbar has not been modified or abused in any way and has only been used for the purpose intended.
- The towbar was not fitted second hand to your vehicle.

The extent of this warranty includes materials and workmanship used in the manufacture of the towbar and is to the equivalent value of current, full replacement cost.

Nothing stated or implied in this warranty limits in any way, the statutory rights that you may have.

To make a claim visit the original installer in the first instance or, if you are unable to or are not satisfied with their help, then contact us direct by phone on 1300 669122 or visit [www.swd.com.au](http://www.swd.com.au).