

FITTING INSTRUCTIONS

Isuzu Dmax MY21 – T7H765



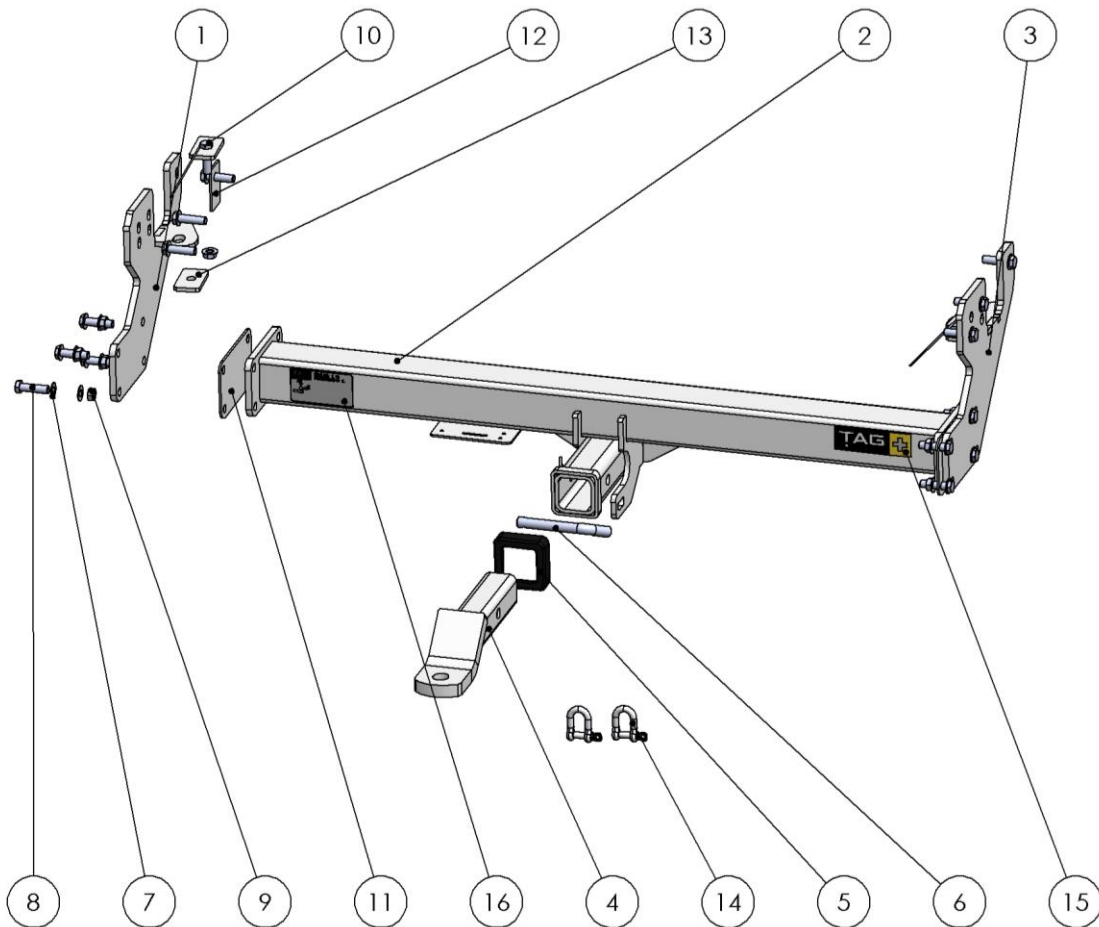
Max Towing Capacity: kg	Towbar Weight: kg
Max Ball Load: kg	Wiring Harness Part #:



Tools Required:

- Spanners, Sockets, Torque Wrench

ITEM NO.	DESCRIPTION	QTY.	ITEM NO.	DESCRIPTION	QTY.
1	End Plate Assembly PS	1	9	M12x1.25 Nut	10
2	T7H765 Welded Assembly	1	10	M12x1.25x45 Bolt on Plate on 200mm Wire	2
3	End Plate Assembly DS	1	11	End Plate spacer	2
4	L4045 Ball Mount - Powder Coated	1	12	3mm Spacer	2
5	Cover Hitch Receiver Collar TAG	1	13	Plate 40x70x6 14mm hole	2
6	Class 4 Pin & Clip	1	14	TAG D-Shackle - 10mm, 1000kg, Galvanised	2
7	M12 Flat Washer Zinc Clear	24	15	TAG + Foil Sticker 123x38	1
8	M12x1.25x45 Bolt	14	16	TAG Compliance plate	1



FITTING INSTRUCTIONS

Isuzu Dmax MY21 – T7H765



Warning:

- This product is for towing purposes only and must only be loaded as shown in your vehicle Owner's Manual.
- This towbar is NOT to be drilled, cut, welded or modified in any way.
- Check behind chassis rail and body panels before drilling to ensure no hazards are present

General:

- Before fitting this towbar read fitting instructions and check installation hardware is correct.
- Check that the towbar is suitable for the vehicle and be wary of any changes to the vehicle design that may conflict with the fitting of this towbar.
- After drilling, blow any filings clear, remove any swarf and treat exposed metal with a rust inhibitor.
- If this vehicle requires a bumper cut out, please check to make sure that you measure twice and check twice before cutting any panels as some bumper profiles can change. If you are not sure, then please ask your towbar supplier

FITTING INSTRUCTIONS

Isuzu Dmax MY21 – T7H765



Step 1 | Fit Towbar



FITTING INSTRUCTIONS

Isuzu Dmax MY21 – T7H765



Instructions	Tools	Torque Spec
<p>a. For cab chassis variants only: Remove M12 bolts fastening bumper brackets to chassis. Bumper may need support to remain in place.</p> <p>b. Loosely secure side plate to outside of chassis with M12 bolts.</p> <p>For cab chassis variants only: add 3mm packer plate between side plate and chassis at the forward most hole in front of the body mount.</p> <p>c. Insert bolt plate on wire into chassis and into rearmost hole. Loosely secure to the bottom of the chassis rail with 6mm washer plates & nuts.</p> <p>d. Loosely secure towbar crossmember to side plates with M12 bolts, washers & nuts.</p> <p>e. Fasten all bolts to torque spec.</p>		

FITTING INSTRUCTIONS

Isuzu Dmax MY21 – T7H765



WARRANTY STATEMENT

The manufacturer of TAG branded products, warrants your TAG Towbar for its full product life under the following conditions:

- You can show proof of purchase.
- The towbar has been correctly installed by a suitably qualified installer.
- The towbar has not been modified or abused in any way and has only been used for the purpose intended.
- The towbar was not fitted second hand to your vehicle.

The extent of this warranty includes materials and workmanship used in the manufacture of the towbar and is to the equivalent value of current, full replacement cost.

Nothing stated or implied in this warranty limits in any way, the statutory rights that you may have.

To make a claim visit the original installer in the first instance or, if you are unable to or are not satisfied with their help, then contact us directly by email at warranty@tagtowing.com