

KIA SPORTAGE

SUV

10/2015-ON

Part number T4K647

Maximum towing capacity 1900 kg

Maximum ball load 100 kg

Bar weight 18 kg



Fit with wiring harness part No. EL5540

Fitting Instructions

Warning:

Safety First: Always use correct safety equipment.

This towbar is NOT to be drilled, cut, welded or modified in any way.

Check the surrounding area before drilling into chassis or body panels for fuel lines, wiring harnesses and other components that may be a hazard.

General:

Before fitting this towbar read fitting instructions and check installation hardware is correct.

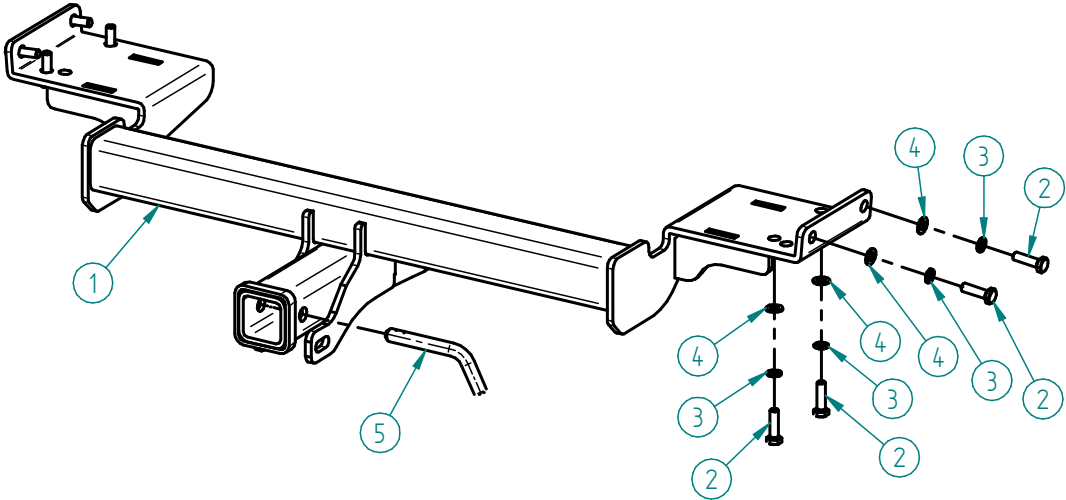
Check that the towbar is suitable for the vehicle and be wary of any changes to the vehicle design that may conflict with the fitting of this towbar.

After drilling, blow any filings clear, remove any swarf and treat exposed metal with a rust inhibitor.

If this vehicle requires a bumper cut out, please check to make sure that you measure twice and check twice before cutting any panels as some bumper profiles can change.

If you are not sure then ask your towbar supplier.

Tighten all bolts as specified on the last page.

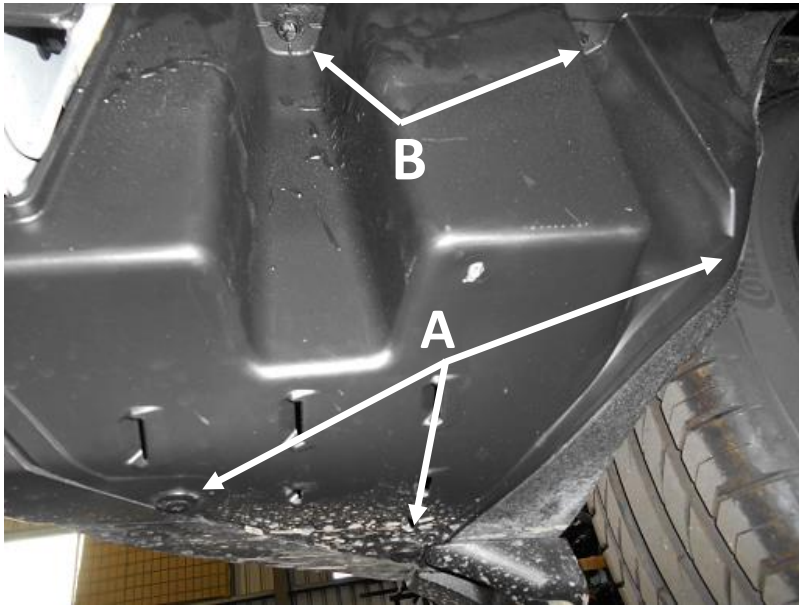


Scheme 1

NB! Discard supplied M10 nuts

T4K647 Hardware KIT	
Item	Quantity
1. Towbar	1
2. M10 x 35 x 1.25 pitch bolt	8
3. M10 shakeproof washer	8
4. M10 flat washer	8
5. Hitch pin and clip	1
6. L4120 ball mount	1
7. Compliance plate	1
8. Door sticker	1

1.



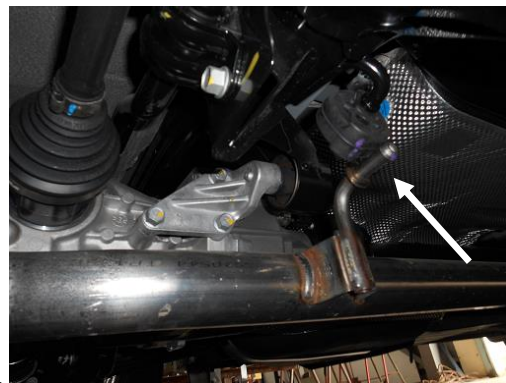
Pic.1

1.1 Remove plastic shields by removing plastic scrivenets A and then pulling the shields downwards, off from the studs B as shown on Pic.1

2.



Pic.2.1



Pic.2.2

2.1 Undo muffler and tailpipe from the hanger rubber brackets as shown on Pic.2.1 and Pic.2.2

3.



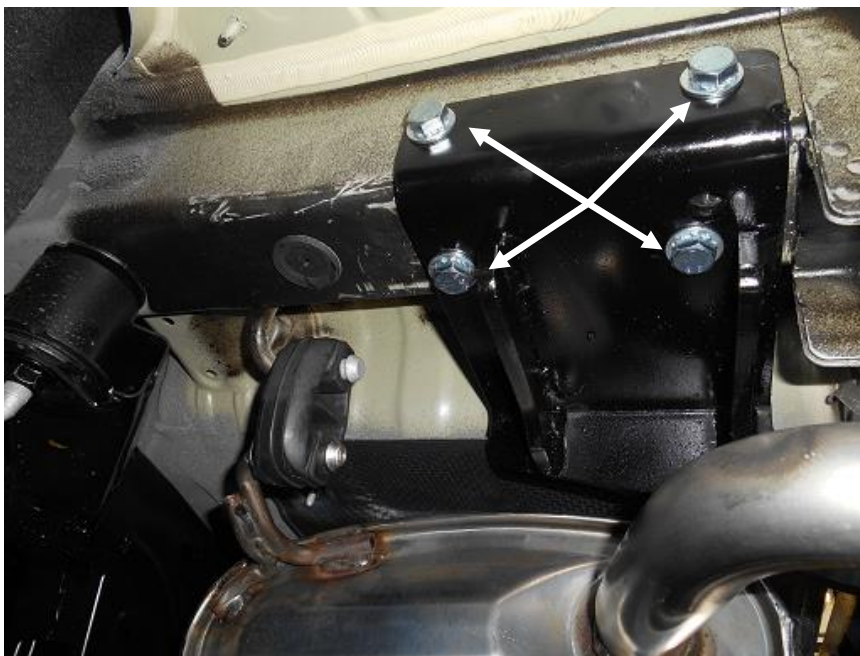
Pic.3

NB! Bumper removal not necessary for the cut out

3.1 Remove and discard bumper bar centre bracket by undoing a Philips head screw

3.2 Find the centre of the bumper bar. Make the bumper cut 90 mm wide and 155 mm high

4.



Pic.4

4.1 Lift the towbar up against the chassis rail and insert fasteners as shown on Pic.4 and Scheme1

4.2 Tighten all bolts as specified on the last page

5.

5.1 Refit the exhaust and plastic shield in reverse order

5.2 Fit supplied door sticker inside of the driver's door pillar

5.3 Fit supplied L4120 ball mount to the towbar

Torque table for bolt tightening

Metric GRADE 8.8	UNC GRADE 8
M6 – 12.5 Nm	3/8 – 50 Nm
M8 – 30 Nm	1/2 - 125 Nm
M10 – 60 Nm	5/8 – 245 Nm
M12 – 103 Nm	
M14 – 167 Nm	
M16 – 270 Nm	