

FITTING INSTRUCTIONS



Isuzu MU-X & Holden Colorado 7 (11/2013-ON) – T4H611 TOWBAR

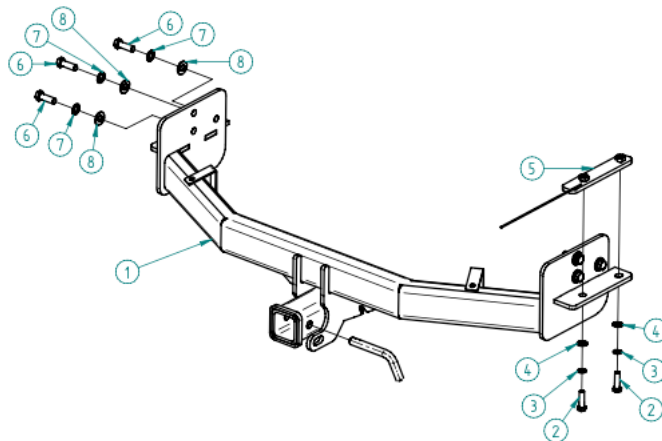
Max Towing Capacity: 3000kg	Towbar Weight: 15.5kg
Max Ball Load: 300kg	Wiring Harness Part #: UNT285 / 750024EJ



Tools Required:

- Spanners, Sockets, Torque Wrench

Kit Contents					
Item No.	Description	Qty	Item No.	Description	Qty
1.	Towbar	1	7.	M12 Star Washer	6
2.	M10 x 35 x 1.25 Pitch bolt	4	8.	M12 Flat washer	6
3.	M10 Star Washer	4	9.	Class 4 Pin and Clip	1
4.	M10 Flat Washer	4	10.	L4045 ballmount	1
5.	Nut Plate	1	11.	Compliance Plate	1
6.	M12 x 35 x 1.25 Pitch bolt	6	12.	Door Sticker	1



Warning:

- This product is for towing purposes only and must only be loaded as shown in your vehicle Owners Manual.
- This towbar is NOT to be drilled, cut, welded or modified in any way.
- Check behind chassis rail and body panels before drilling to ensure no hazards are present

General:

- Before fitting this towbar read fitting instructions and check installation hardware is correct.
- Check that the towbar is suitable for the vehicle and be wary of any changes to the vehicle design that may conflict with the fitting of this towbar.
- After drilling, blow any filings clear, remove any swarf and treat exposed metal with a rust inhibitor.
- If this vehicle requires a bumper cut out, please check to make sure that you measure twice and check twice before cutting any panels as some bumper profiles can change. If you are not sure, then please ask your towbar supplier

FITTING INSTRUCTIONS



Isuzu MU-X & Holden Colorado 7 (11/2013-ON) – T4H611 TOWBAR

Step 1 | Remove Spare Tyre and Towing hook



Instructions

- Undo Spare tyre
- Remove and discard towing hook as shown in the image above

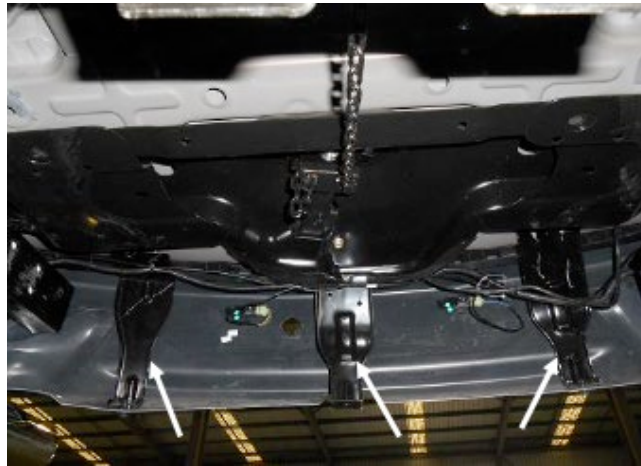
Tools

N/A

Torque Spec

N/A

Step 2 | Remove bumper brackets



Instructions

- Remove and discard bumper brackets as shown on the image above

Tools

Spanners

Torque Spec

N/A

FITTING INSTRUCTIONS



Isuzu MU-X & Holden Colorado 7 (11/2013-ON) – T4H611 TOWBAR

Step 3 | Bumper Cut



Instructions

- Find centre of the bumper bar
- Make the bumper cut with given measurements (**Note: Bumper removal not required**) as shown above

Tools

Air Saw

Torque Spec

N/A

Step 4 | Remove Exhaust



Instructions

- Remove exhaust from rubber hanger

Tools

N/A

Torque Spec

N/A

FITTING INSTRUCTIONS



Isuzu MU-X & Holden Colorado 7 (11/2013-ON) – T4H611 TOWBAR

Step 5 Fitting Nut and Compliance Plates



Instructions

- Slide nut plate (Item 5 in Hardware Kit list) into drivers side chassis rail
- Fit supported compliance plate to the towbar

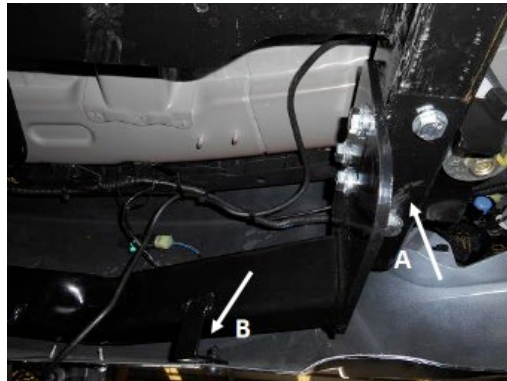
Tools

N/A

Torque Spec

N/A

Step 6 Towbar Fitment



Instructions

- Slide the towbar between the chassis rails as shown above
- Insert and tighten all bolts loosely and evenly
- Torque all bolts accordingly to torque spec

Tools

Torque Wrench

Torque Spec

M10- 60Nm
M12- 103Nm

FITTING INSTRUCTIONS



Isuzu MU-X & Holden Colorado 7 (11/2013-ON) – T4H611 T O W B A R

Step 7 Finishing Up		
Instructions	Tools	Torque Spec
a. Fit door sticker inside of the drivers door pillar. b. Refit exhaust and spare tyre. c. Fit the ballmount to the towbar.	N/A	N/A



WARRANTY STATEMENT

The manufacturer of TAG branded products, warrants your TAG Towbar for its full product life under the following conditions:

- You can show proof of purchase.
- The towbar has been correctly installed by a suitably qualified installer.
- The towbar has not been modified or abused in any way and has only been used for the purpose intended.
- The towbar was not fitted second hand to your vehicle.

The extent of this warranty includes materials and workmanship used in the manufacture of the towbar and is to the equivalent value of current, full replacement cost.

Nothing stated or implied in this warranty limits in any way, the statutory rights that you may have.

To make a claim visit the original installer in the first instance or, if you are unable to or are not satisfied with their help, then contact us directly by email at warranty@tagtowing.com