

Fitting Instructions



SKU

PRODUCT

T7T709

**TAG Heavy Duty Towbar to suit
Toyota Hiace (02/2019 - on),
Hiace / Commuter (02/2019 - on)**



Scan for latest
version of these
instructions

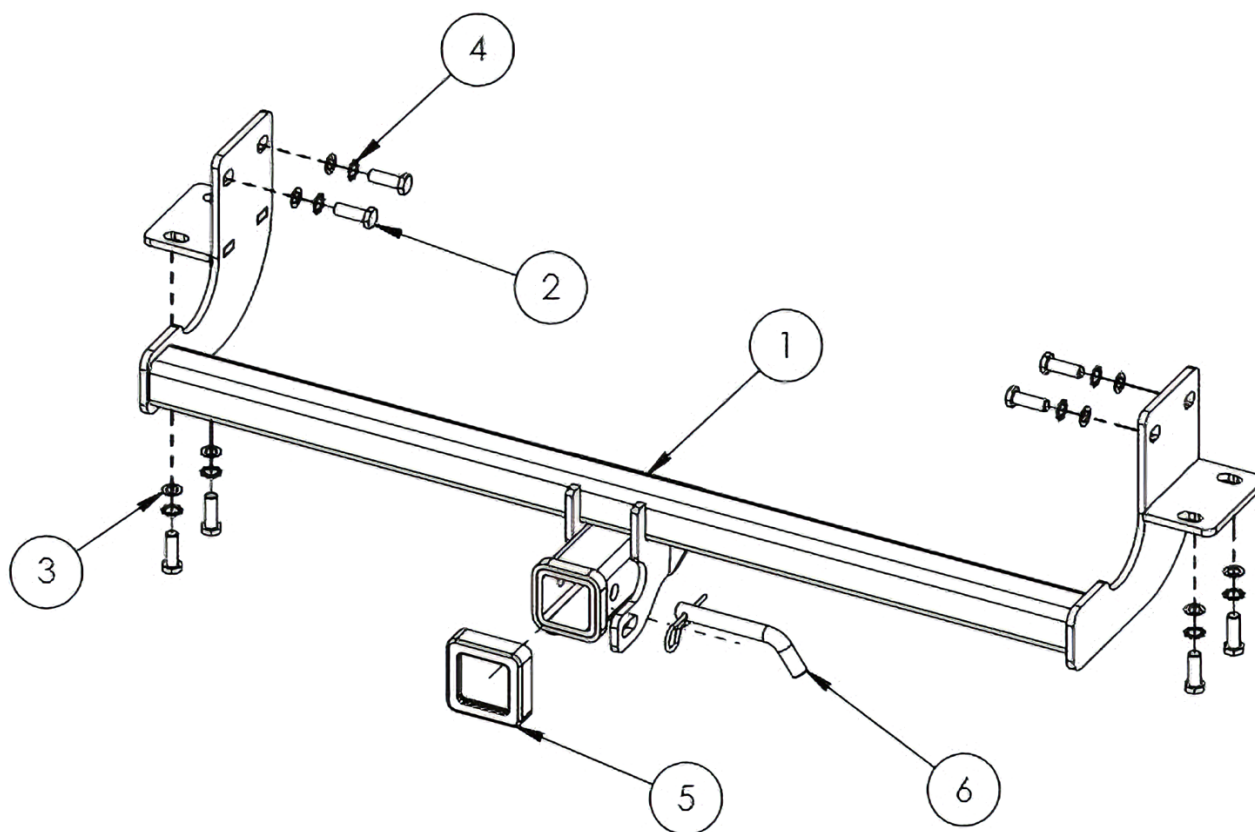
SPECIFICATIONS

- Towbar Class: Heavy Duty
- Towing Capacity: 1900kg

IN THIS GUIDE

- Fitment Instructions
- Torque Settings
- Warranty Info

Towbar Fitting Instructions



Tools Required: Spanners/Socket, Torque Wrench, Air saw or similar, Trim removal tools

Kit Contents					
Item No.	Description	Qty	Item No.	Description	Qty
1.	Towbar	1	5.	TAG Collar Cover	1
2.	M12x1.25x35 Bolt	8	6.	Pin & Clip	1
3.	M12 Flat Washer	8	...	Spare Compliance Sticker	1
4.	M12 Shake Proof Washer	8	...	D-Shackle	2

Step-By-Step Instructions

Warning:

- This product is for towing purposes only and must only be loaded as shown in your vehicle Owner's Manual.
- This towbar is NOT to be drilled, cut, welded, or modified in any way.
- Check behind chassis rail and body panels before drilling to ensure no hazards are present
- All load ratings shown are under the assumption your trailer has a functional braking system installed.
- When installed in positions other than the one depicted in these instructions the Tow Ball Mount may interfere or obstruct certain features of your vehicle (tailgate opening, Chassis clearance, etc.)

General:

- Before fitting this towbar read fitting instructions and check installation hardware is correct.
- Check that the towbar is suitable for the vehicle and be wary of any changes to the vehicle design that may conflict with the fitting of this towbar. (Tray, Canopy, Suspension etc.)
- After drilling, blow any filings clear, remove any swarf and treat exposed metal with a rust inhibitor.
- The high tensile fasteners supplied with this product are an integral feature to achieving the specified rating, if replacement is required ensure that fasteners of the same grade (8.8) & quality are used. Contact an authorised TAG distributor or the TAG fitment centre - (07) 3208 3022 - if further information is required.

Towbar Maintenance and Care:

It is recommended, when not in use, the Tow Ball Mount assembly and class 4 Pin and Clip is stored inside the car away from moisture to prevent standing water from forming rust. Inspect to ensure, on regular basis, fasteners are torqued to the specifications below and in good condition.

Ensure that the fitting instructions are read and understood prior to fitment

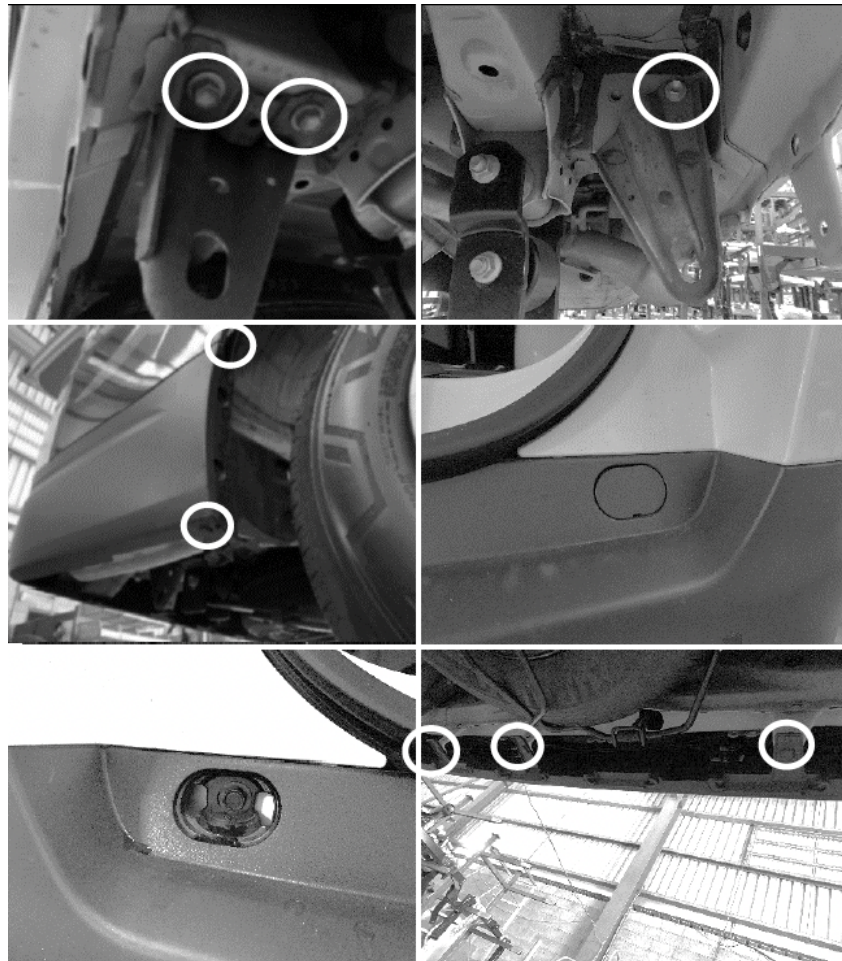
Place these instructions in the vehicle's glovebox after installation is completed

Towbar Fitting Instructions



Step 1. Remove Rear Bumper & Tow Hooks

1. Undo 3x Bolts from each tow hook to remove, discard of bolts and tow hooks.
2. Unplug any wiring connected to the rear bumper.
3. Unclip all plastic clips securing the rear bumper around the bottom edge and inside the wheel wells.
4. Open tail gate and remove plastic covers to expose bolts/screws securing the bumper, remove these.
5. With 2 people, starting at each wheel well, carefully pry the bumper away from the vehicle to unclip and remove the bumper. Carefully place bumper and all fasteners aside.



Step 2. Fit Towbar

1. Lift towbar to rear of vehicle and secure using 8x M12 hardware, loosely at first, then tighten when all hardware is in place.

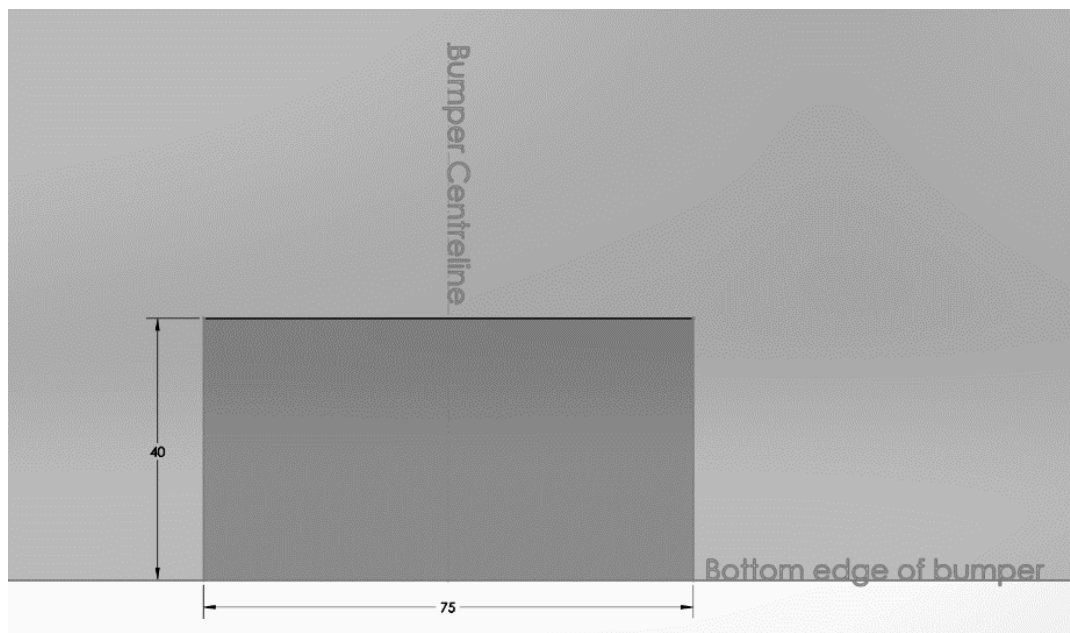


Towbar Fitting Instructions



Step 3. Perform Bumper Cut & Refit Bumper

1. Locate the centre of the bumper along the bottom edge. Viewing from directly behind the vehicle, create bumper cut as shown in the diagram. Note: this is a guideline and may need to be modified if the bumper is still in contact with the towbar.
2. Refit the bumper using fasteners removed in step 1. Ensure to connect any wiring that was disconnected.



Step 4. Apply Door Sticker

- a) Apply Towbar info label to the inside of the driver's side door Jamb.



Torque table for bolt tightening

Diameter	Pitch	Grade	Torque	Unit
M8	1.25	8.8	29	Nm
M10	1.25	8.8	57	Nm
M10	1.50	8.8	44	Nm
M12	1.25	8.8	101	Nm
M12	1.50	8.8	97	Nm
M12	1.75	8.8	77	Nm
M14	2.00	8.8	122	Nm
M16	2.00	8.8	190	Nm

TAG Warranty Statement

SWD warrants your TAG Towbar for its full product life under the following conditions:

- You can show proof of purchase.
- The towbar has been correctly installed by a suitably qualified installer.
- The towbar has not been modified or abused in any way and has only been used for the purpose intended.
- The towbar was not fitted second hand to your vehicle.

The extent of this warranty includes materials and workmanship used in the manufacture of the towbar and is to the equivalent value of current, full replacement cost.

Nothing stated or implied in this warranty limits in any way, the statutory rights that you may have.

To make a claim visit the original installer in the first instance or, if you are unable to or are not satisfied with their help, then contact us direct by phone on 1300 669122 or visit www.swd.com.au