

Fitting Instructions



SKU

TXR870

PRODUCT

TAG Extreme Recovery Towbar for LDV T60 Cab Chassis (07/2017-on)

SPECIFICATIONS

- Towbar Class: CL 7 Extreme Recovery
- Towing Capacity: 3000kg
- Tow ball Weight: 300kg
- Recovery Point WLL: 4500kg
- Approx. Fitment Time: 90 Minutes



Scan for latest version of these instructions

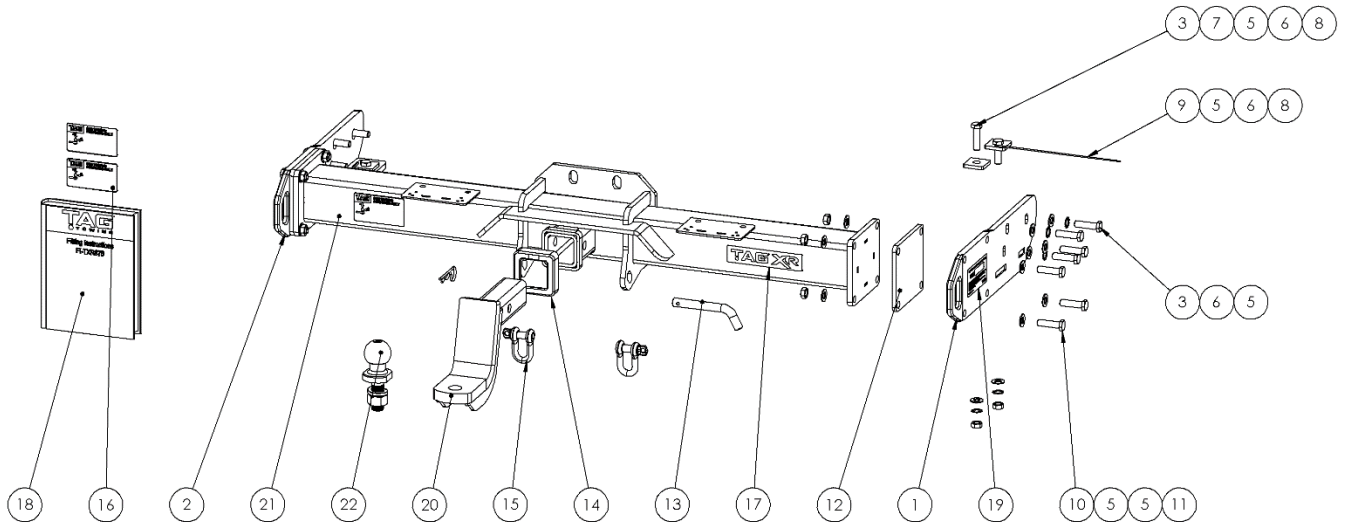
TOOLS REQUIRED

- Spanners
- Sockets
- Air Saw or similar.
- Trim Removal Tool
- Torque Wrench

IN THIS GUIDE

- Fitment Instructions
- Torque Settings
- Warranty Info

Towbar Assembly



Item No.	Description	QTY.	Item No.	Description	QTY.
1	Welded Assembly TXR870	1	12	End Cap Spacer	2
2	End Plate PS TXR783	1	13	Class 4 Pin & Clip	1
3	End Plate DS TXR783	1	14	TAG Hitch Cover	1
4	M12 x 1.75 x 45 Set Screw	8	15	D-Shackle - 10mm. 1000kg	2
5	M12 Flat Washer	26	16	TAG Compliance Sticker	3
6	M12 Shakeproof Washer	10	17	TAG XR Sticker	1
7	Top Plate - 40x40x6	2	18	Fitting Instruction	1
8	M12 x 1.75 Nut	4	19	Tag WLL Sticker	1
9	Top Plate with M12x1.75x40 Bolt & 250mm Wire	2	20	L4171 Tow Ball Mount	1
10	M12 x 1.25 x 45 Bolt	8	21	50mm TAG Tow Ball - Zinc	1
11	M12 x 1.25 Nut	8			

Important Information



Warning:

- This product is for towing purposes only and must only be loaded as shown in your vehicle Owner's Manual.
- This towbar is NOT to be drilled, cut, welded, or modified in any way.
- Check behind chassis rail and body panels before drilling to ensure no hazards are present.
- All load ratings shown are under the assumption your trailer has a functional braking system installed.
- When installed in positions other than the one depicted in these instructions the Tow Ball Mount may interfere or obstruct certain features of your vehicle (tailgate opening, Chassis clearance, etc.)

General:

- Before fitting this towbar read fitting instructions and check installation hardware is correct.
- Check that the towbar is suitable for the vehicle and be wary of any changes to the vehicle design that may conflict with the fitting of this towbar. (Tray, Canopy, Suspension etc.)
- After drilling, blow any filings clear, remove any burrs and treat exposed metal with a rust inhibitor.
- The high tensile fasteners supplied with this product are an integral feature to achieving the specified rating, if replacement is required ensure that fasteners of the same grade (8.8) & quality are used. Contact an authorised TAG distributor or the TAG fitment center - (07) 3208 3022 - if further information is required.

Towbar Maintenance and Care:

It is recommended, when not in use, that the Tow Ball Mount assembly and class 4 Pin and Clip is stored inside the car away from moisture to prevent standing water from forming rust. Inspect to ensure, on regular basis, fasteners are torqued to the specifications below and in good condition.

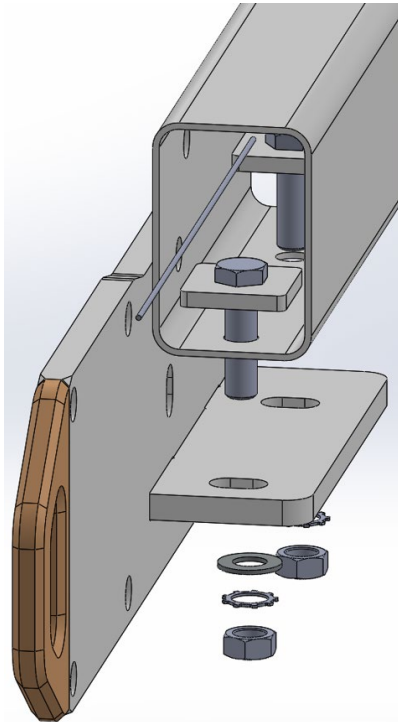
Ensure that the fitting instructions are read and understood prior to fitment, Following the fitment place these instructions in the vehicle's glovebox after installation is completed.

Metric Bolt Torque Settings

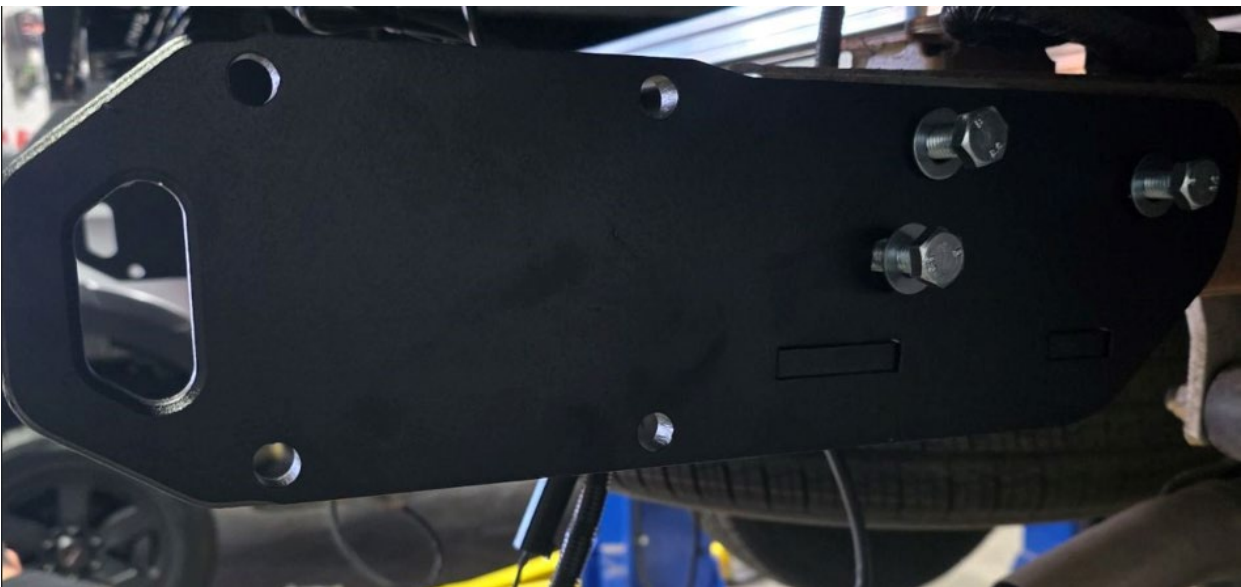
Diameter	Pitch	Grade	Torque	Unit		Diameter	Pitch	Grade	Torque	Unit
M8	1.25	8.8	29	Nm		M12	1.25	10.9	125	Nm
M10	1.25	8.8	57	Nm		M12	1.50	10.9	105	Nm
M10	1.50	8.8	44	Nm		M14	1.25	10.9	195	Nm
M12	1.25	8.8	101	Nm		M14	1.50	10.9	165	Nm
M12	1.50	8.8	97	Nm		M16	1.25	10.9	295	Nm
M12	1.75	8.8	77	Nm		M16	1.50	10.9	250	Nm
M14	2.00	8.8	122	Nm		50mm Tow Ball	N/A	N/A	300	Nm
M16	2.00	8.8	190	Nm		70mm Tow Ball	N/A	N/A	750	Nm

Step 1: Remove Rear Bumper & Install Towbar

- a. Lower the spare wheel.
- b. Insert M12 bolt & top plate on wire into chassis and align with forward most vertical hole.
- c. Insert another M12 x 1.75 x 40 bolt with square plate into rear-most vertical hole.
- d. Lift Chassis end plate up to bottom of chassis and align with previously inserted bolts. Loosely fasten with nuts, shake-proof & flat washers.



- e. Loosely fasten the end plate to the side of the chassis with 3 x M12 x 1.75 x 40 bolts with shake-proof & flat washers.
- f. Repeat steps b-d on opposite side.



Installation Instructions



NOTE: Check chassis width prior to fitting main bar assembly. The 2x 8mm end cap spacers will be required if chassis width is 1130mm. Discard the spacers for 1115mm chassis width.

- g. Lift towbar centre assembly up to end plates and align holes.
- h. Insert 4x M12 x 1.25 x 50 bolts with flat washers into each end and loosely fasten with nuts and flat washers.



- i. Raise the spare tyre.

Step 2: Complete Towbar & Apply Spare Compliance Label

Installation Instructions



-
- a. Attach TAG Hitch cover with rubber mallet carefully to prevent breaking.
 - b. Attach Tow ball to Ball Mount and slide into receiver. Secure with Pull pin and Clip if you are going to tow straight away. Alternatively, secure the Ball Mount in a safe place inside your vehicle.
 - c. Apply one of the compliance labels to the pillar of the driver's door. Leave the remaining label and the fitting instructions in the vehicle handbook.



TAG Warranty Statement



SWD warrants your TAG Towbar for its full product life under the following conditions:

- You can show proof of purchase.
- The towbar has been correctly installed by a suitably qualified installer.
- The towbar has not been modified or abused in any way and has only been used for the purpose intended.
- The towbar was not fitted second hand to your vehicle.

The extent of this warranty includes materials and workmanship used in the manufacture of the towbar and is to the equivalent value of current, full replacement cost.

Nothing stated or implied in this warranty limits in any way, the statutory rights that you may have.

To make a claim visit the original installer in the first instance or, if you are unable to or are not satisfied with their help, then contact us direct by phone on 1300 669122 or visit www.swd.com.au.