

Fitting Instructions



SKU

T7P874

PRODUCT

TAG Heavy Duty Towbar for Mercedes Sprinter VS30 Wide Chassis

SPECIFICATIONS

- Towbar Class: CL 4 Heavy Duty
- Towing Capacity: 3500kg
- Tow ball Weight: 350kg
- Approx. Fitment Time: 90 Minutes



Scan for latest version of these instructions

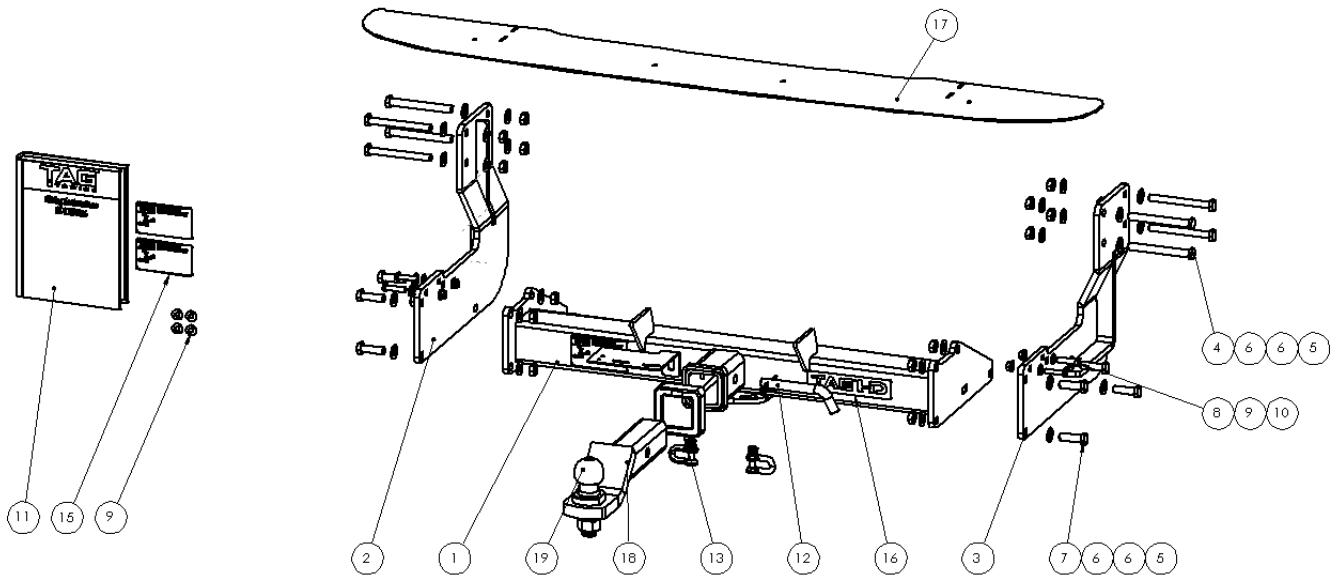
TOOLS REQUIRED

- Spanners
- Sockets
- Air Saw or similar.
- Trim Removal Tool
- Torque Wrench

IN THIS GUIDE

- Fitment Instructions
- Torque Settings
- Warranty Info

Towbar Assembly



| Item No. | Description | QTY. | Item No. | Description | QTY. |
|----------|--------------------------|------|----------|----------------------------|------|
| 1 | Cross Member | 1 | 11 | Fitting Instruction | 1 |
| 2 | End Plate Assembly | 1 | 12 | Class 4 Pin & Clip | 1 |
| 3 | End Plate Assembly DS | 1 | 13 | TAG Hitch Cover | 1 |
| 4 | M12 x 1.25 x 110 Bolt | 8 | 14 | D-Shackle - 10mm. 1000kg, | 2 |
| 5 | M12 x 1.25 Nut | 16 | 15 | TAG Compliance Sticker | 3 |
| 6 | M12 Flat Washer | 32 | 16 | TAG HD Sticker 150 x 33mm | 1 |
| 7 | M12 x 1.25 x 40 Bolt | 8 | 17 | Step Support Assembly | 1 |
| 8 | M8 x 1.25 x 35 Set Screw | 4 | 18 | L4045 TBM | 1 |
| 9 | M8 Flat Washer | 8 | 19 | 50mm TAG Tow Ball - Chrome | 1 |
| 10 | M8 x 1.25 Flange Nut | 4 | | | |

Important Information



Warning:

- This product is for towing purposes only and must only be loaded as shown in your vehicle Owner's Manual.
- This towbar is NOT to be drilled, cut, welded, or modified in any way.
- Check behind chassis rail and body panels before drilling to ensure no hazards are present.
- All load ratings shown are under the assumption your trailer has a functional braking system installed.
- When installed in positions other than the one depicted in these instructions the Tow Ball Mount may interfere or obstruct certain features of your vehicle (tailgate opening, Chassis clearance, etc.)

General:

- Before fitting this towbar read fitting instructions and check installation hardware is correct.
- Check that the towbar is suitable for the vehicle and be wary of any changes to the vehicle design that may conflict with the fitting of this towbar. (Tray, Canopy, Suspension etc.)
- After drilling, blow any filings clear, remove any burrs and treat exposed metal with a rust inhibitor.
- The high tensile fasteners supplied with this product are an integral feature to achieving the specified rating, if replacement is required ensure that fasteners of the same grade (8.8) & quality are used. Contact an authorised TAG distributor or the TAG fitment center - (07) 3208 3022 - if further information is required.

Towbar Maintenance and Care:

It is recommended, when not in use, that the Tow Ball Mount assembly and class 4 Pin and Clip is stored inside the car away from moisture to prevent standing water from forming rust. Inspect to ensure, on regular basis, fasteners are torqued to the specifications below and in good condition.

Ensure that the fitting instructions are read and understood prior to fitment, Following the fitment place these instructions in the vehicle's glovebox after installation is completed.

Metric Bolt Torque Settings

| Diameter | Pitch | Grade | Torque | Unit | | Diameter | Pitch | Grade | Torque | Unit |
|----------|-------|-------|--------|------|--|---------------|-------|-------|--------|------|
| M8 | 1.25 | 8.8 | 29 | Nm | | M12 | 1.25 | 10.9 | 125 | Nm |
| M10 | 1.25 | 8.8 | 57 | Nm | | M12 | 1.50 | 10.9 | 105 | Nm |
| M10 | 1.50 | 8.8 | 44 | Nm | | M14 | 1.25 | 10.9 | 195 | Nm |
| M12 | 1.25 | 8.8 | 101 | Nm | | M14 | 1.50 | 10.9 | 165 | Nm |
| M12 | 1.50 | 8.8 | 97 | Nm | | M16 | 1.25 | 10.9 | 295 | Nm |
| M12 | 1.75 | 8.8 | 77 | Nm | | M16 | 1.50 | 10.9 | 250 | Nm |
| M14 | 2.00 | 8.8 | 122 | Nm | | 50mm Tow Ball | N/A | N/A | 300 | Nm |
| M16 | 2.00 | 8.8 | 190 | Nm | | 70mm Tow Ball | N/A | N/A | 750 | Nm |

Step 1: Remove & Replace Step Support & Fit towbar

- a. Remove the 4x plastic scrivenets from the step tread. Retain all scrivenets.
- b. Under the rear of the vehicle remove 3x M12 bolts from each chassis rail fastening the step support. Discard the bolts and step support.
- c. Lift the new step support up to the underside of the plastic step and fasten with the original scrivenets.

Note: if vehicle is equipped with OEM reverse sensors, please ensure the sensor harness is not trapped between the steel support and plastic step.



Step 2: Fit Towbar

- a. Insert 4x M12 x 1.25 x 110 bolts with flat washers into the chassis holes from the outside.
- b. Lift the end plate up to the inside of chassis and push bolts through holes. Loosely fasten with M12 x 1.25 nuts with flat washers.
- c. Repeat on opposite side.
- d. Lift the main bar up to the inside of each end plate and insert M12 x 1.25 x 40 bolts with flat washers. Fasten loosely with M12 x 1.25 nuts with flat washers.
- e. Align the step support with the end plates and insert 2 x M8 x 1.25 x 35 with flat washers. Fasten loosely with M8 x 1.25 nuts and flat washers. Repeat on opposite side.
- f. Beginning at the chassis, tighten all bolts to the torque specification on page 3.



Installation Instructions



Step 4: Complete Towbar & Apply Spare Compliance Label

- a. Attach TAG Hitch cover with rubber mallet carefully to prevent breaking.
- b. Attach Tow ball to Ball Mount and slide into receiver. Secure with Pull pin and Clip if you are going to tow straight away. Alternatively, secure the Ball Mount in a safe place inside your vehicle.
- c. Apply one of the compliance labels to the pillar of the driver's door. Leave the remaining label and the fitting instructions in the vehicle handbook.



TAG Warranty Statement



SWD warrants your TAG Towbar for its full product life under the following conditions:

- You can show proof of purchase.
- The towbar has been correctly installed by a suitably qualified installer.
- The towbar has not been modified or abused in any way and has only been used for the purpose intended.
- The towbar was not fitted second hand to your vehicle.

The extent of this warranty includes materials and workmanship used in the manufacture of the towbar and is to the equivalent value of current, full replacement cost.

Nothing stated or implied in this warranty limits in any way, the statutory rights that you may have.

To make a claim visit the original installer in the first instance or, if you are unable to or are not satisfied with their help, then contact us direct by phone on 1300 669122 or visit www.swd.com.au.