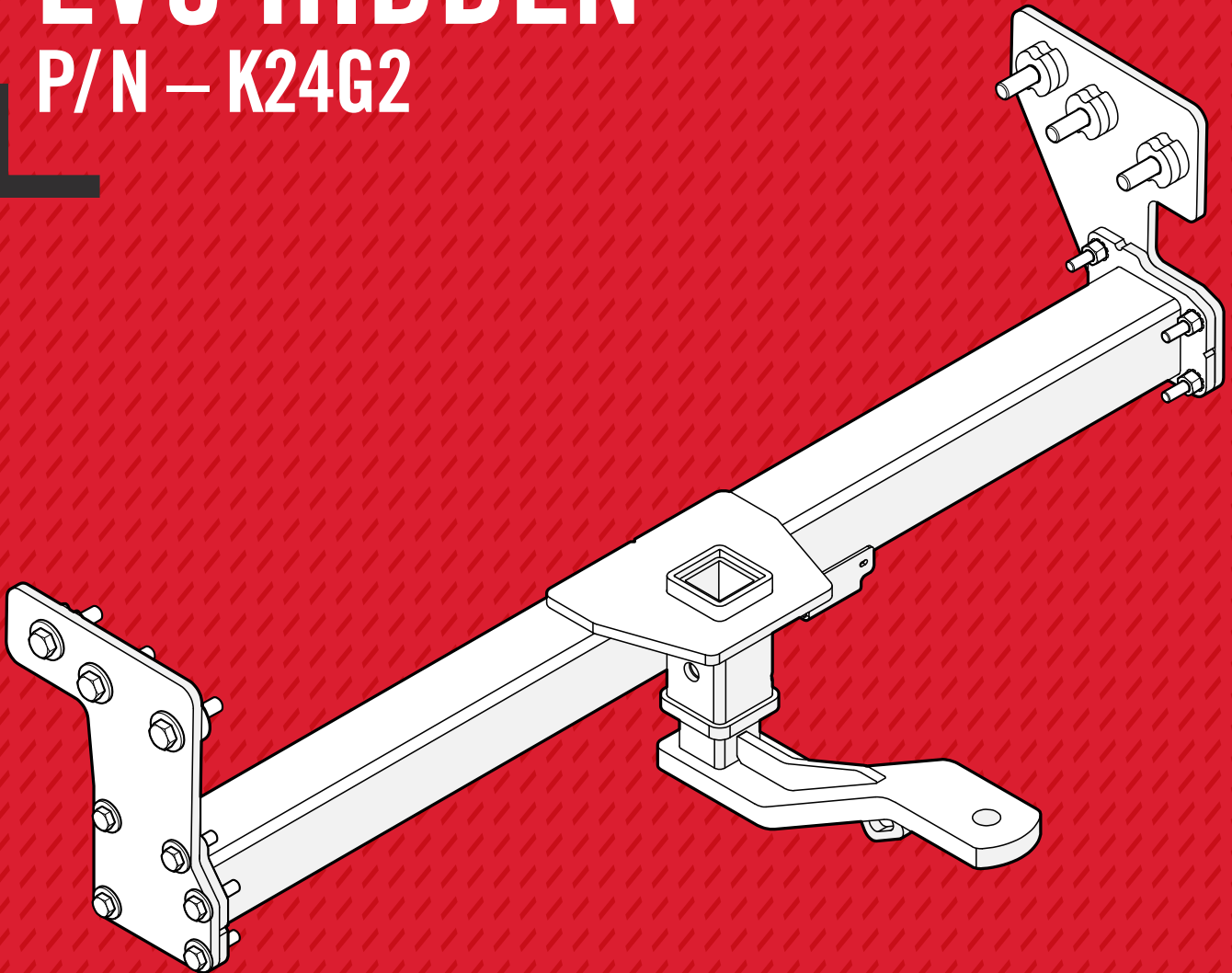




FITTING INSTRUCTIONS

KIA — EV9 HIDDEN

P/N — K24G2



ISSUE #: 01

ISSUE DATE: 12/04/24

CONTENTS

3	IMPORTANT INFORMATION
4	PARTS LIST
5	VEHICLE PREPARATION
8	TOWBAR INSTALLATION
9	WIRING STEPS
13	FINALISE FITMENT
15	TOWBALL USAGE

IMPORTANT INFORMATION

CHECK THE MAXIMUM TOWING CAPACITY OF YOUR VEHICLE AS STATED BY THE VEHICLE MANUFACTURER. DO NOT EXCEED THE MAXIMUM TOWING CAPACITY.

This product is for towing purposes only and must only be loaded as shown in your vehicle Owner's Manual.

- This towbar is NOT to be drilled, cut, welded, or modified in any way.
- Check behind chassis rail and body panels before drilling to ensure no hazards are present.
- All load ratings shown are under the assumption your trailer has a functional braking system installed.
- When installed in positions other than the one depicted in these instructions the Tow Ball Mount may interfere or obstruct certain features of your vehicle (tailgate opening, Chassis clearance, etc.)

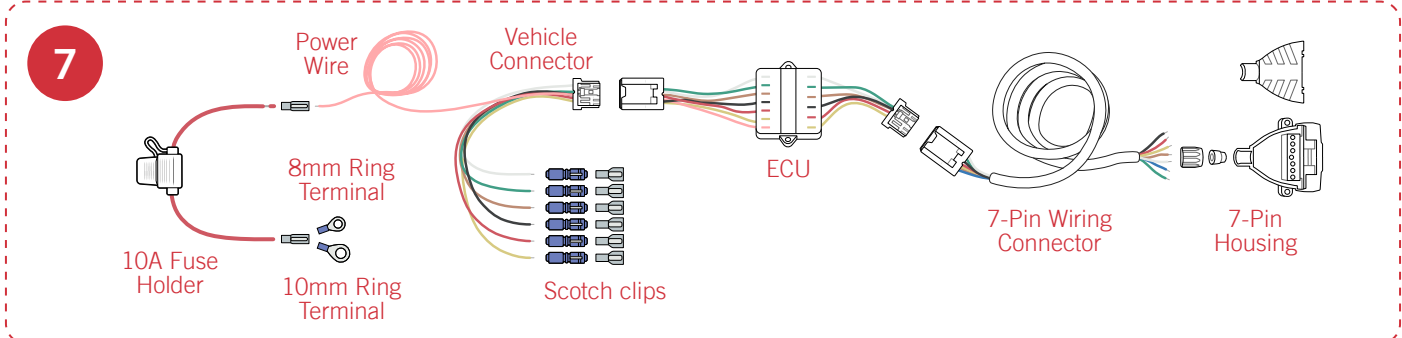
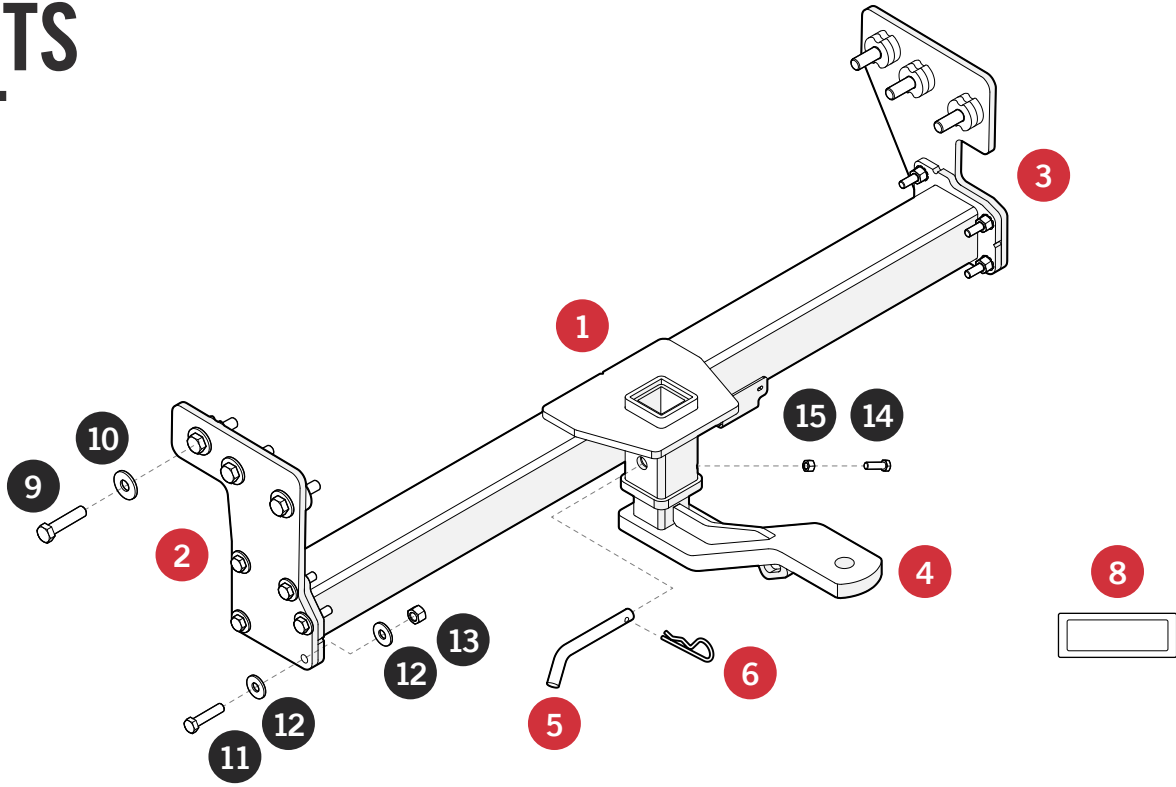
GENERAL:

- Before fitting this towbar read fitting instructions and check installation hardware is correct.
- Check that the towbar is suitable for the vehicle and be wary of any changes to the vehicle design that may conflict with the fitting of this towbar (Tray, Canopy, Suspension etc.)
- After drilling, blow any filings clear, remove any swarf and treat exposed metal with a rust inhibitor.

TOWBAR MAINTENANCE AND CARE:

- It is recommended, when not in use, the Tow Ball Mount assembly and CLASS 4 Pin and Clip is stored inside the car away from moisture to prevent standing water from forming rust.
- Inspect to ensure, on regular basis, fasteners are torqued to the specifications below and in good condition.
- Ensure that the fitting instructions are read and understood prior to fitment.
- Place these instructions in the vehicle's glovebox after installation is completed.

PARTS LIST

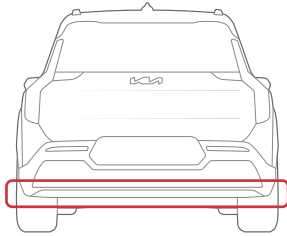


#	PART	QTY	#	HARDWARE	QTY
1	CROSS-BEAM	x1	9	M14 x 60mm x 1.5p BOLT	x6
2	LEFT CORNER BRACKET	x1	10	M14 FLAT WASHER	x6
3	RIGHT CORNER BRACKET	x1	11	M10 x 40mm x 1.25p BOLT	x9
4	TOWBAR HITCH	x1	12	M10 FLAT WASHER	x18
5	PIN	x1	13	M10 x 1.25p NUT	x9
6	R-CLIP	x1	14	3/8" ANTI RATTLE BOLT	x1
7	TOWBAR BYPASS KIT	x1	15	3/8" NUT	x1
8	LOAD RATING STICKER	x1			

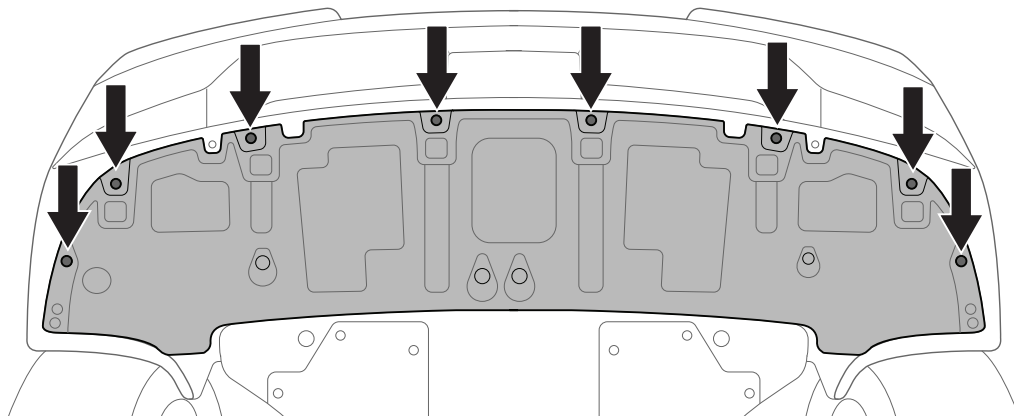
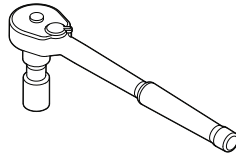
TOOLS REQUIRED	- 10mm Socket Wrench		
	- 14mm Socket Wrench	- Trim Removal Tool	- Electrical Tape
	- 17mm Socket Wrench	- Marker	- Zip ties
	- 22mm Socket Wrench	- Safety Knife	- Electrical Wire 1.5mm 3m
	- Torque Wrench	- Philips Head Screw Driver	
		- Soldering Iron	

VEHICLE PREPARATION

STEP 01

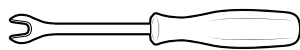


10mm Socket Wrench

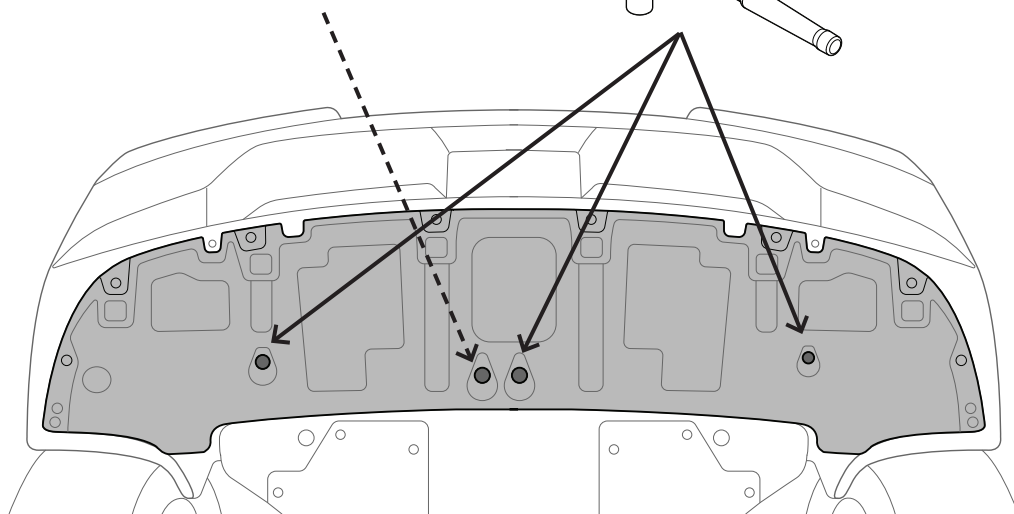
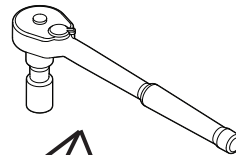


STEP 02

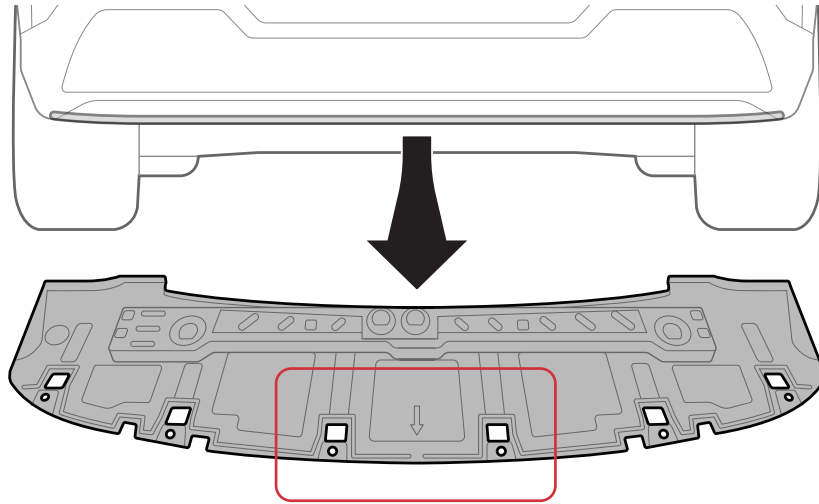
Trim Removal Tool



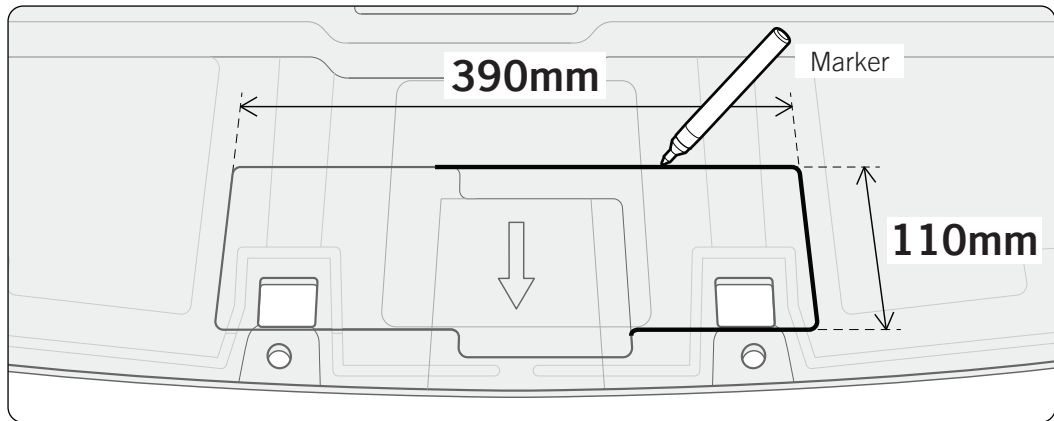
14mm Socket Wrench



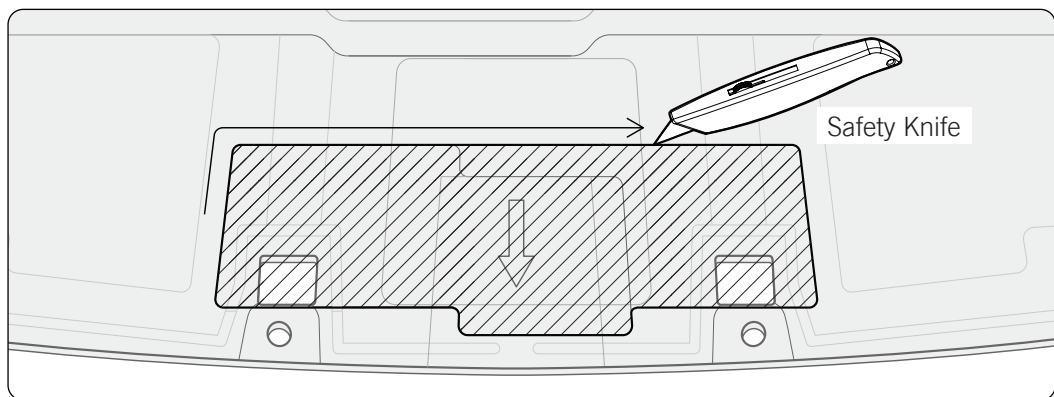
STEP
03



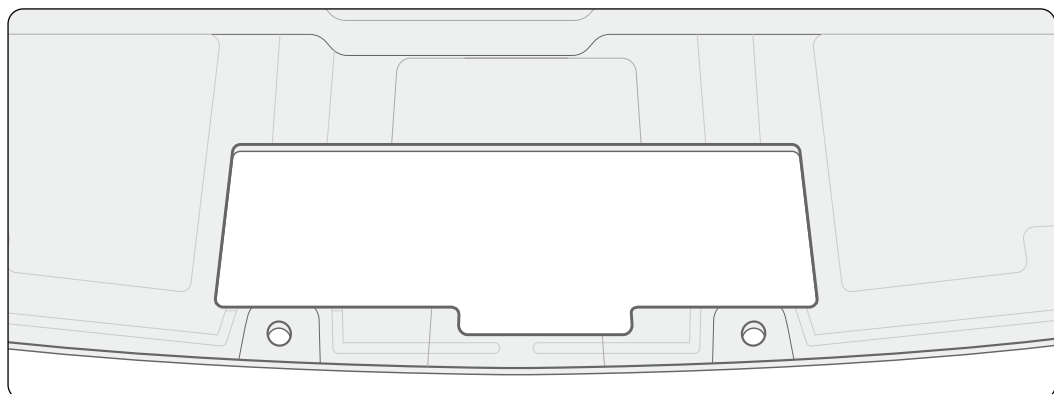
A.



B.

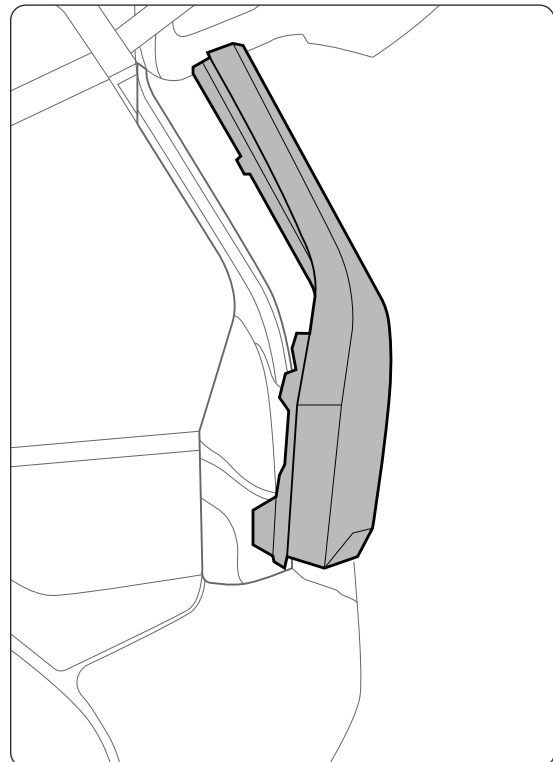
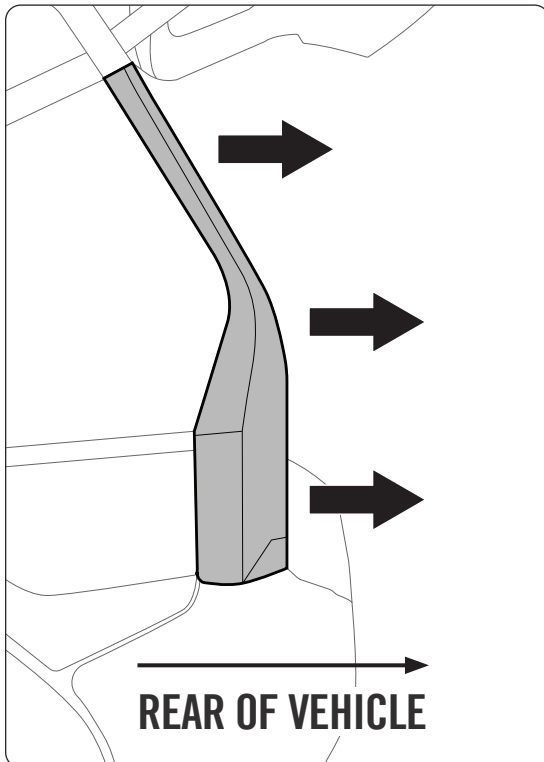
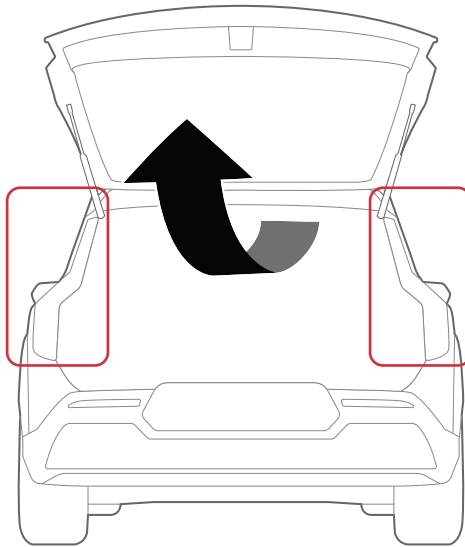


C.



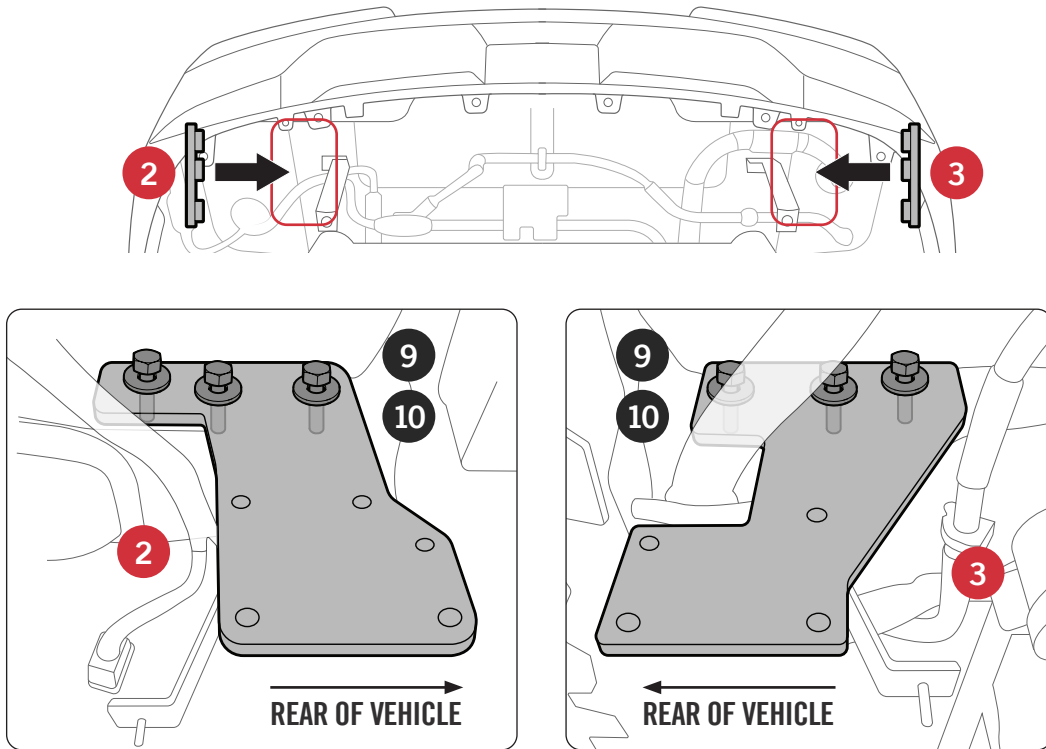
STEP 04

Loosen all screws and bolts retaining the Tail Lights. Remove Tail lights by pulling outwards towards the rear of the vehicle.

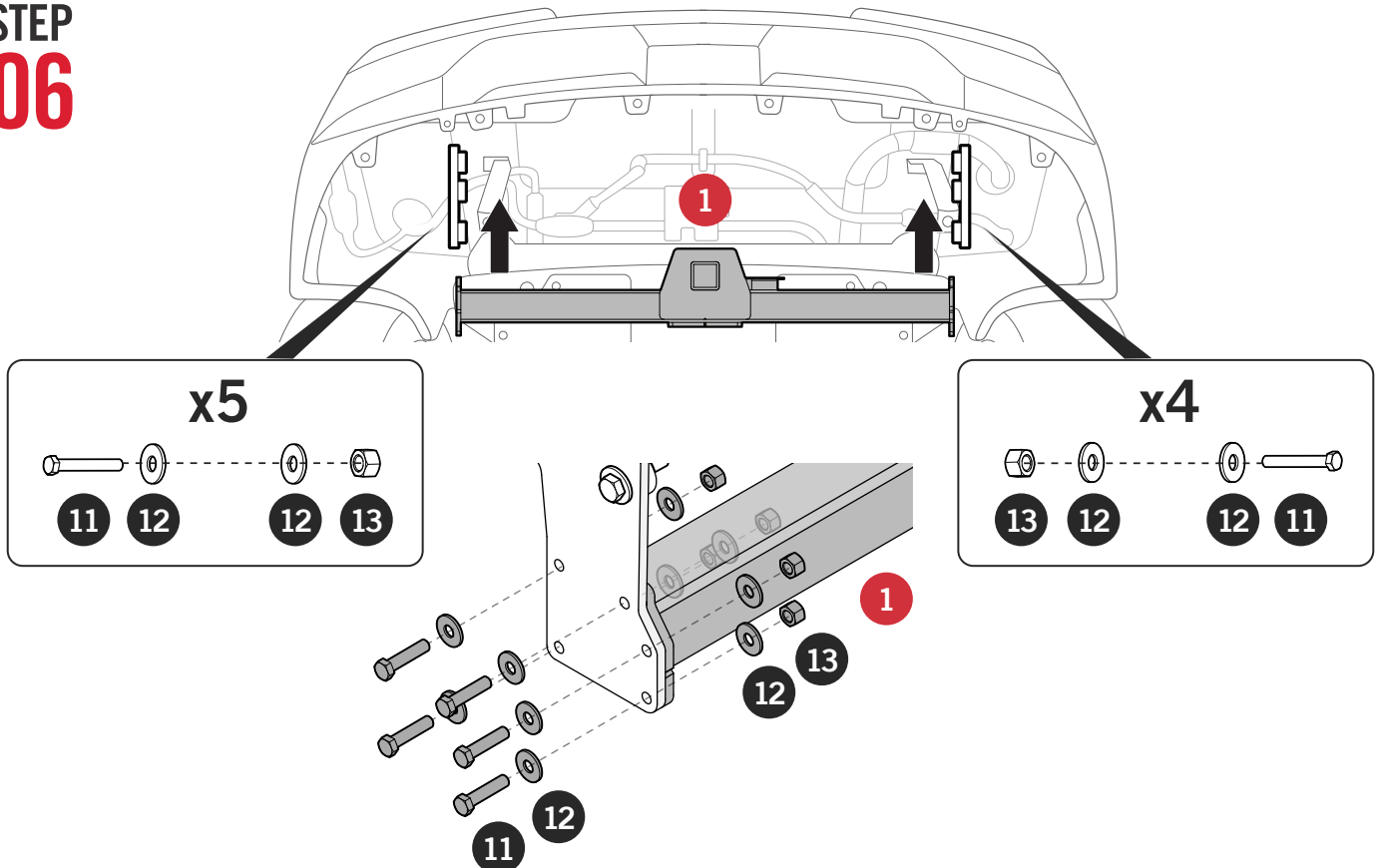


TOWBAR INSTALLATION

STEP 05



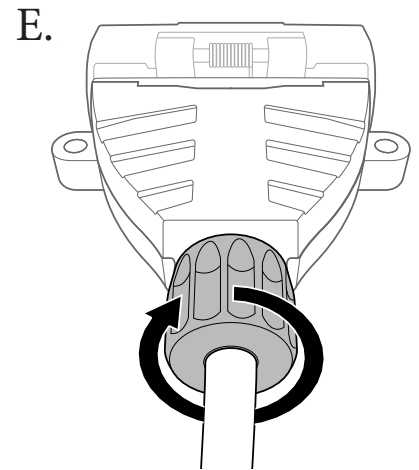
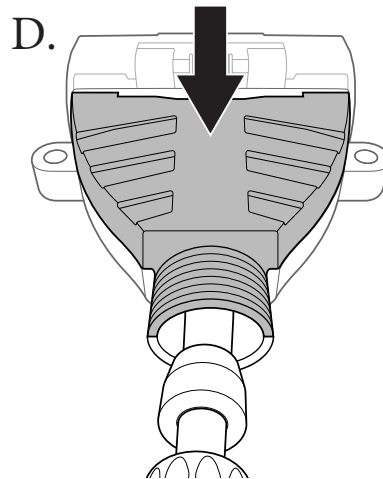
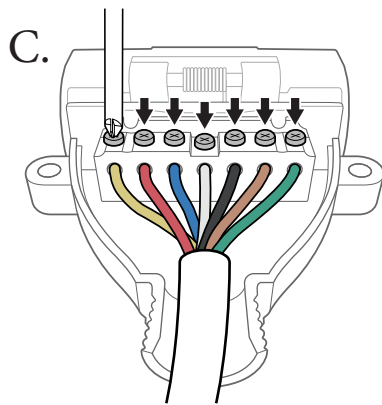
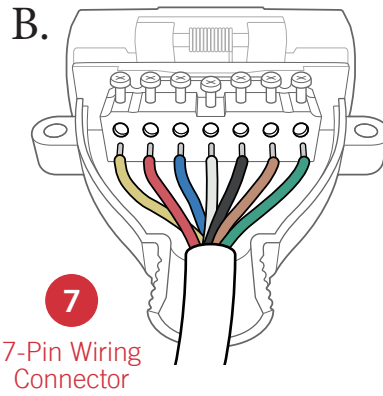
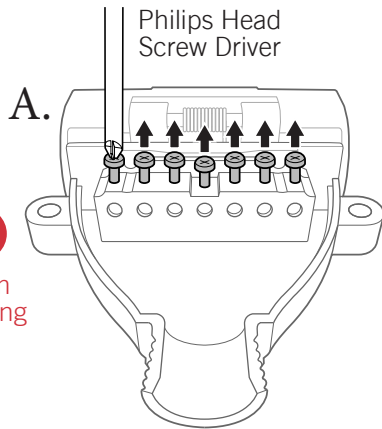
STEP 06



WIRING STEPS

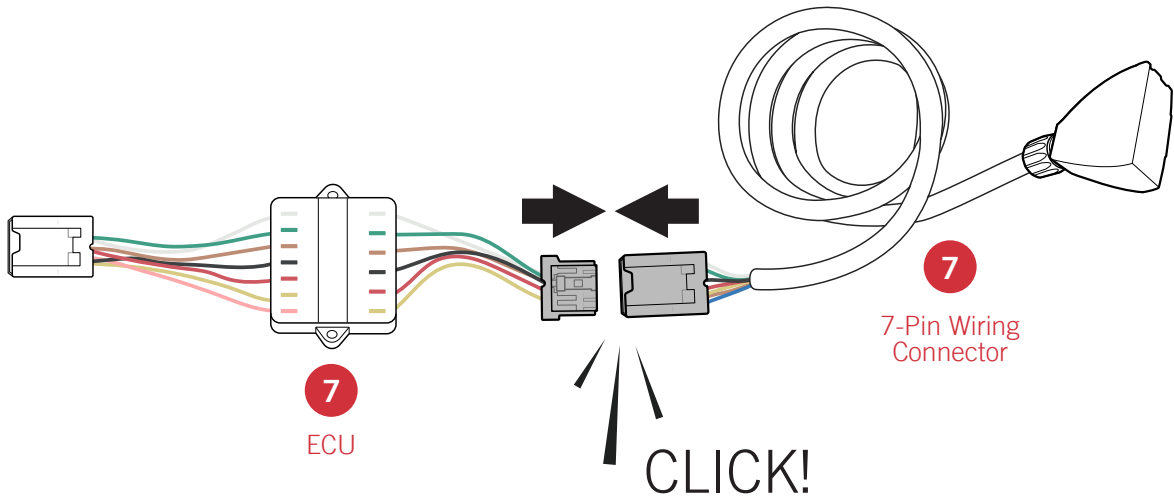
STEP 07

7
7-Pin Housing

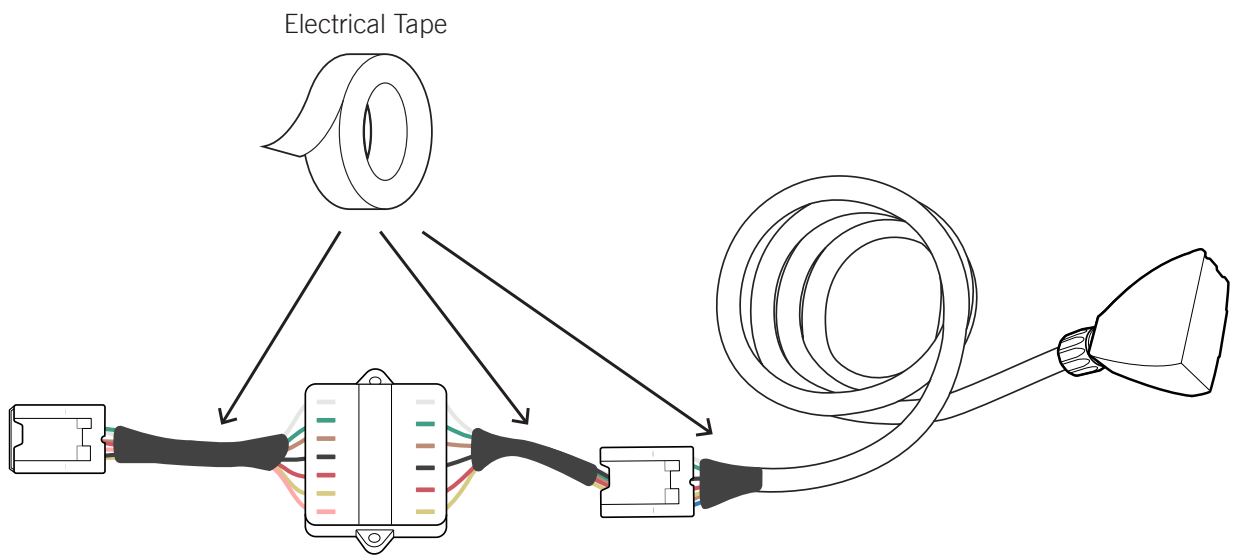


STEP 08

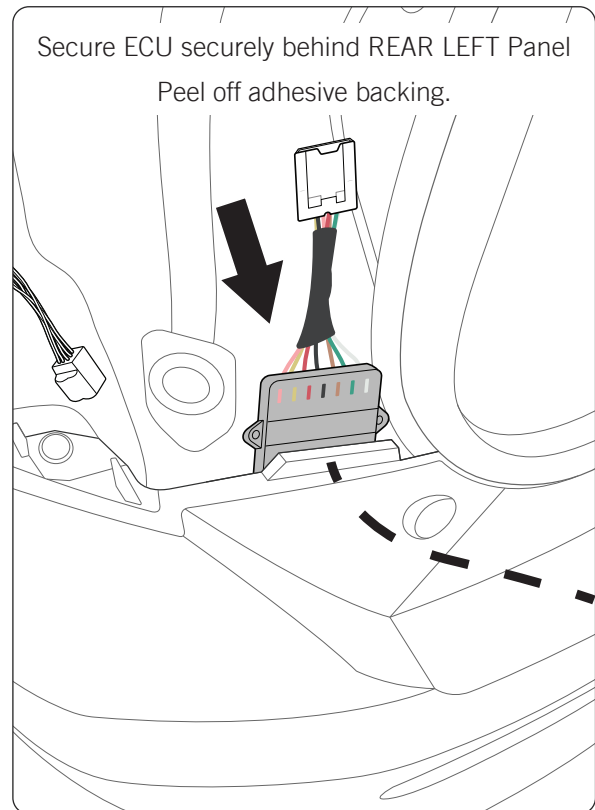
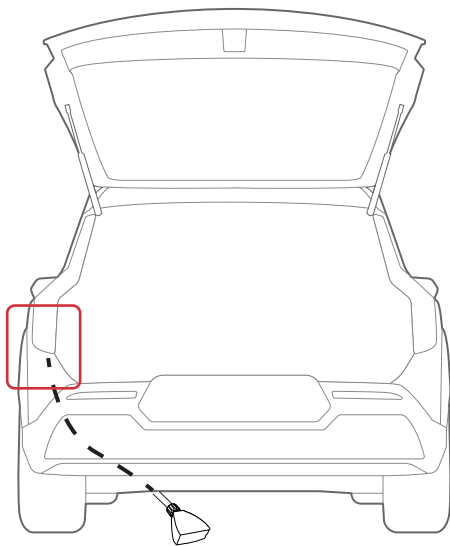
7
7-Pin Wiring Connector



STEP 09



STEP 10

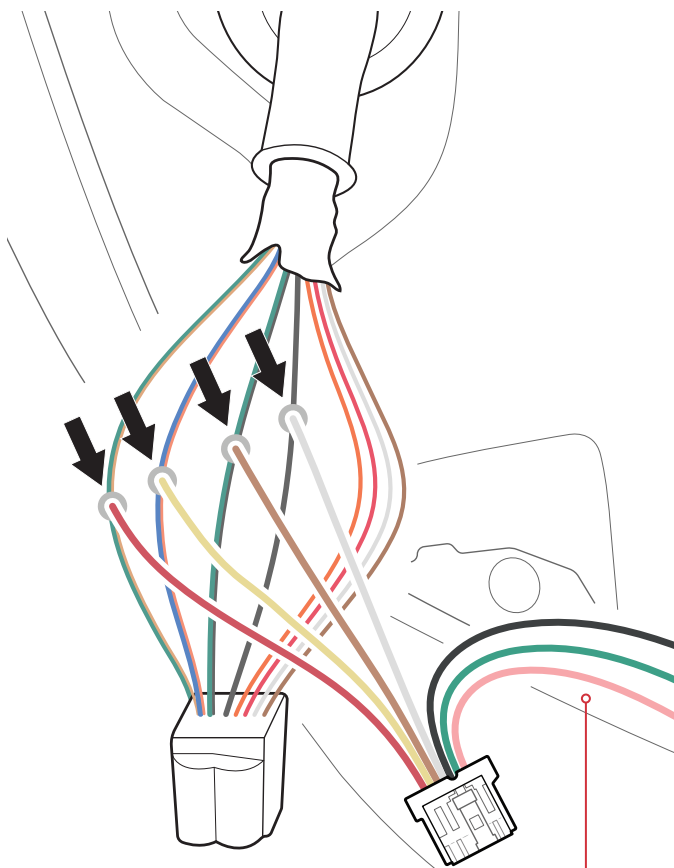


STEP 11

LHS LIGHT

Connect ECU wires to Vehicle wires as follows:

ECU	Vehicle
RED	> GREEN & ORANGE (Brake light)
YELLOW	> BLUE & ORANGE (Left Indicator)
BROWN	> GREEN & BLACK (Tail Light)
WHITE	> BLACK (Earth)

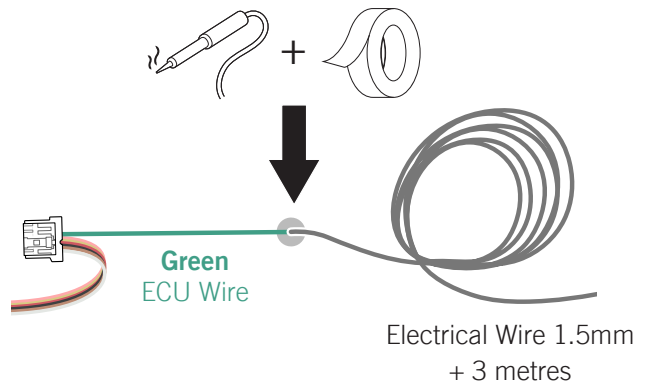


7 Vehicle Connector

- Leave **Green** wire out for RHS Tail Light
- Leave **Pink** wire out for **STEP 12**
- **Black** wire not needed for this install.

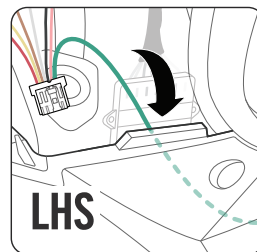
RHS LIGHT

A. Solder an Extension wire to **Green** ECU wire.

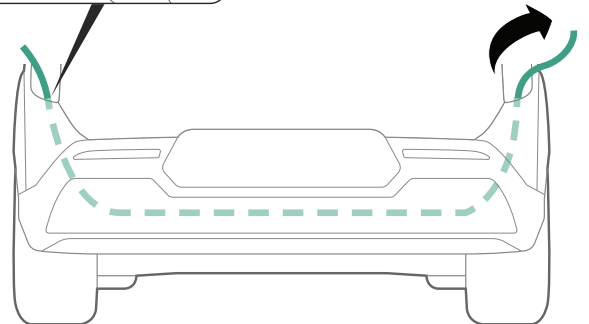


B. Feed wire down LHS Tail Light cavity, across the vehicle rear, and back up through the RHS Tail Light cavity. Secure wire route with zip-ties.

IMPORTANT: Avoid sharp edges and areas with heat.

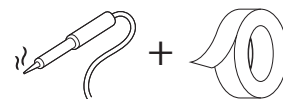


LHS

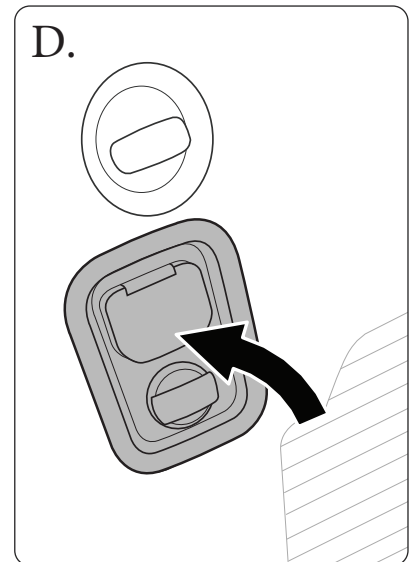
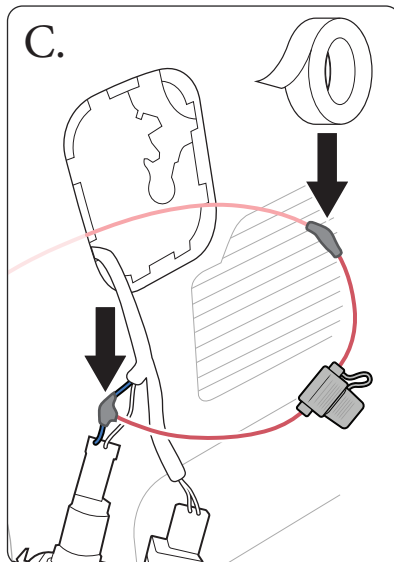
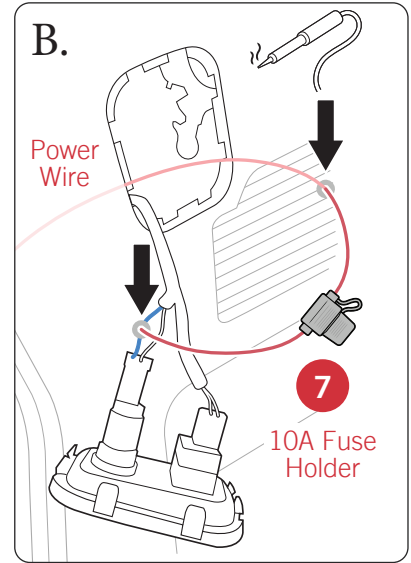
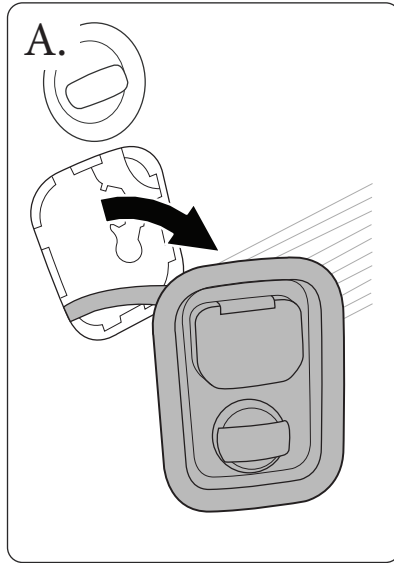
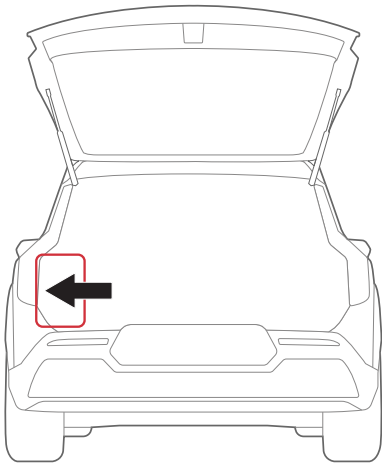


RHS

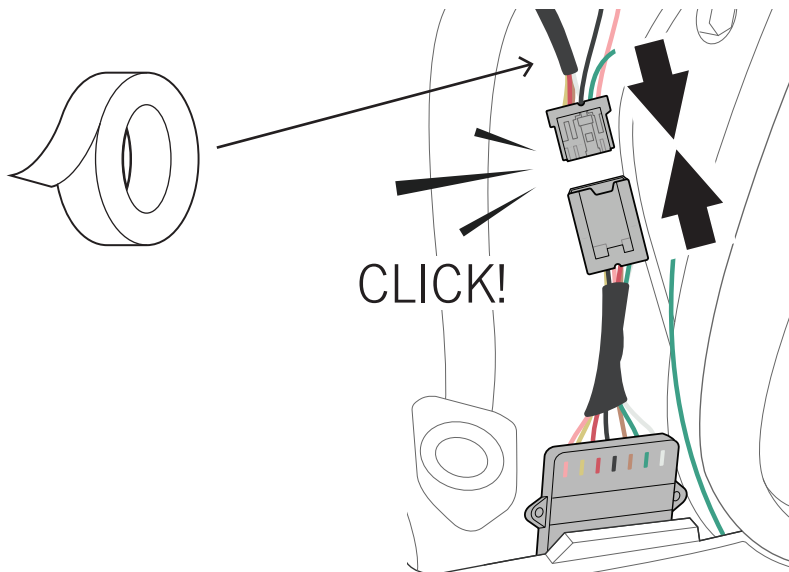
C. Connect **Green** wire to **RED & ORANGE** wire on RHS Tail-light harness.



STEP 12

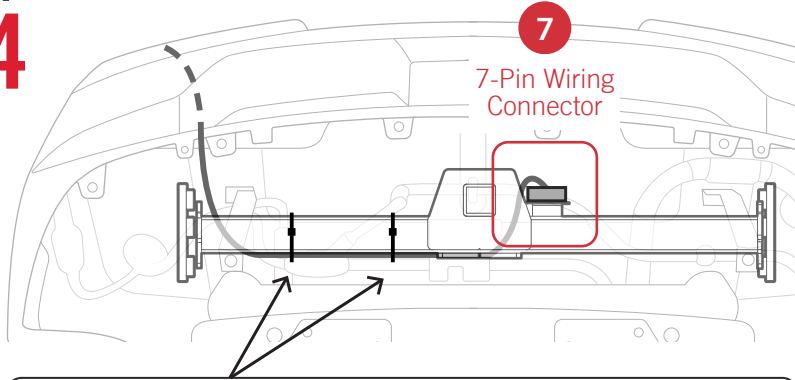


STEP 13



FINALISE FITMENT

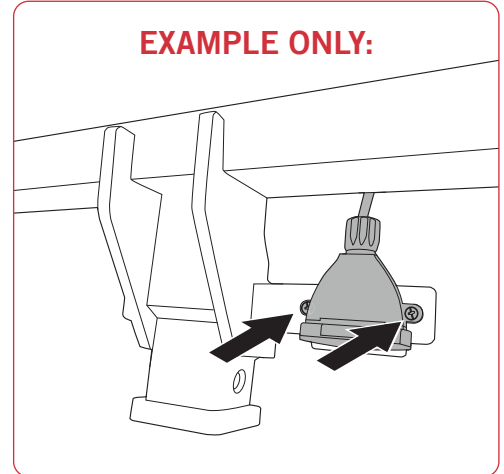
STEP 14



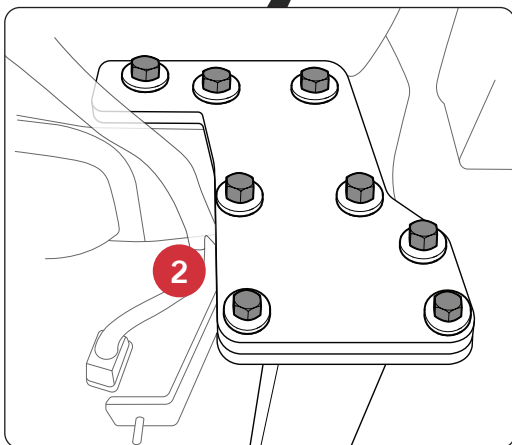
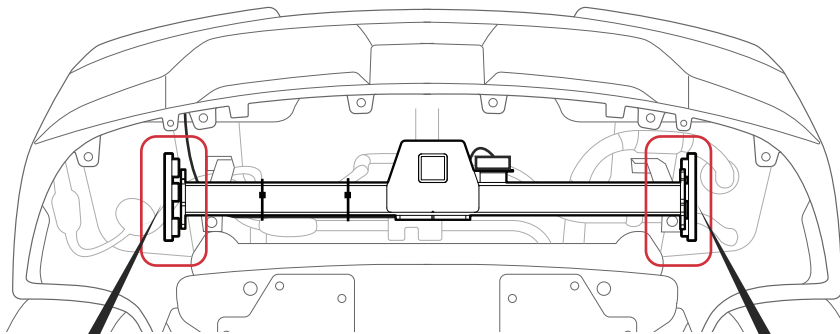
7
7-Pin Wiring Connector

IMPORTANT: Zip-tie excess wire to the towbar / vehicle body. Avoid sharp edges and areas with heat.

Attach 7-Pin Plug with M6 Hardware.



STEP 15

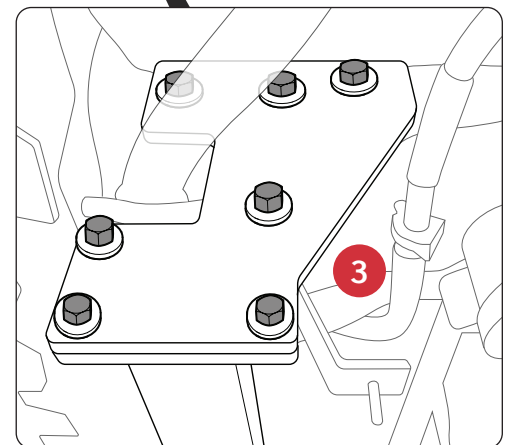


M14: 150NM

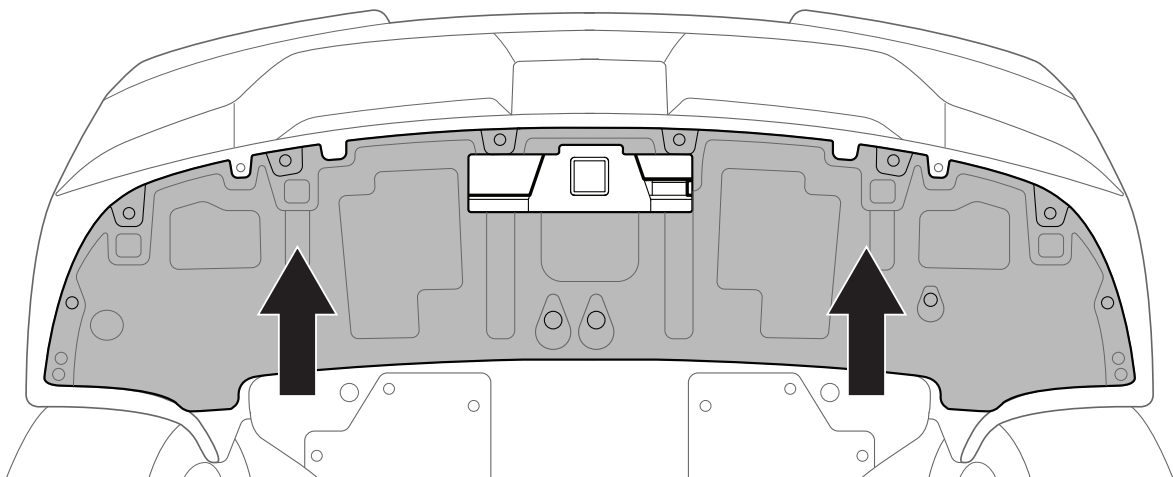
22mm Socket Wrench
+ Torque Wrench

M10: 70-90NM

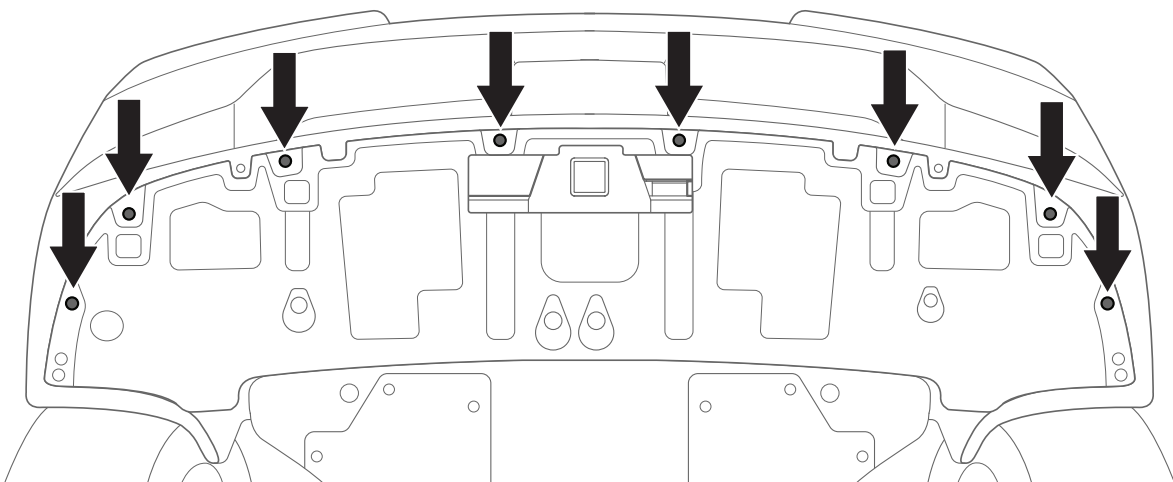
17mm Socket Wrench
+ Torque Wrench



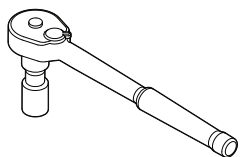
STEP
16



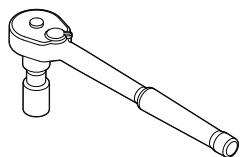
STEP
17



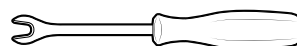
10mm Socket Wrench



14mm Socket Wrench



Trim Removal Tool



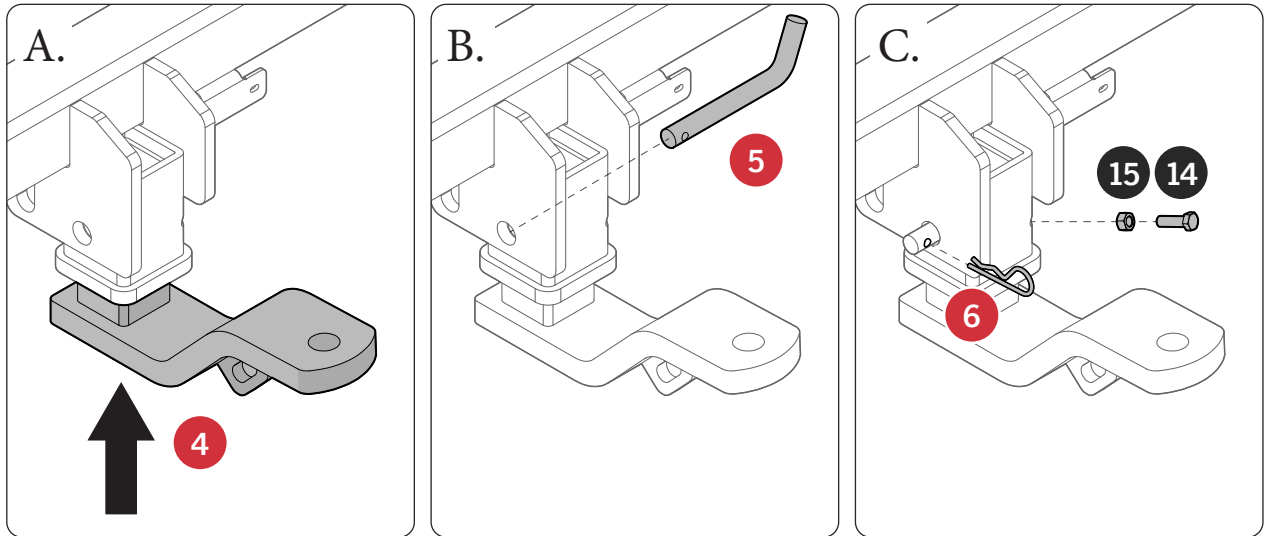
REFER TO STEPS 01 AND 02

TOWBALL USAGE

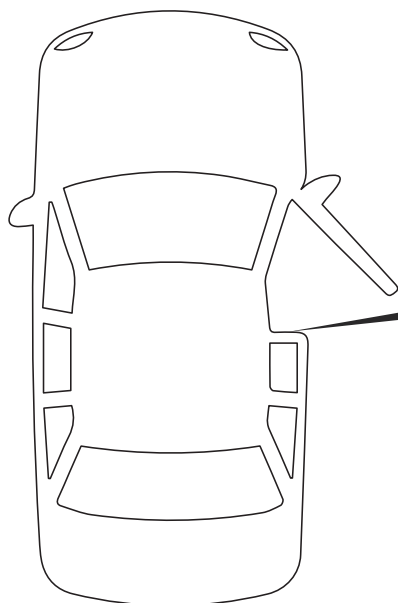
STEP 18

- A) Slide the towbar hitch into place. **4**
 - B) Use the pin to hold the hitch in place. **5**
 - C) Using an R-clip, fix the pin in place. **6**
- Fix the assembly with the anti-rattle bolt and nut. **14 15**

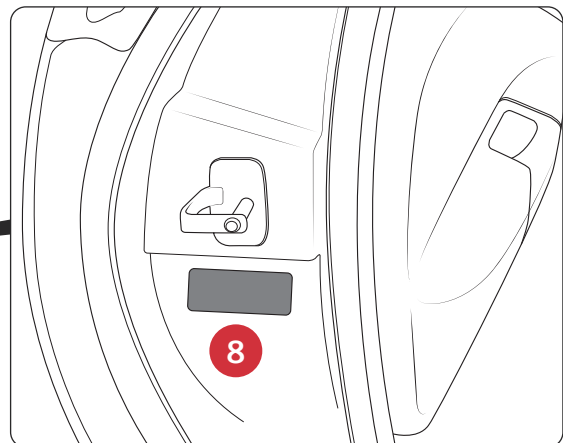
EXAMPLE ONLY:



STEP 19



Place load rating sticker inside the driver's door.





We're here to help

Want to chat? Call **1800 869 227**

evstealthsolutions.com.au



100% AUSTRALIAN
MADE AND OWNED



DRIVE AWAY
LIFETIME WARRANTY



MANUFACTURED TO
AUSTRALIAN STANDARD