



***baja designs***<sup>®</sup>  
THE SCIENTISTS OF LIGHTING

**44-8153, 44-8157 Universal S1 Hitch Light Kit**  
AUSTRALIAN VERSION 7 PIN



Phone (02) 49 66 8302  
webenquiry@baja-designs.au

[www.baja.net.au](http://www.baja.net.au)

## Tools Required

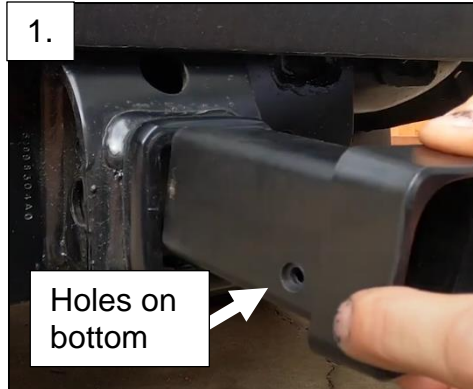
- \* 2.5mm allen key
- \* Marking pen

\*Step-drill bit



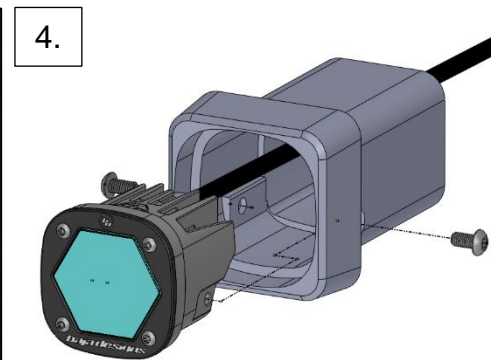
1. **Make sure the vehicle is parked on level ground and the ignition is off.** Hold the included hitch mount adapter such that the two bolt holes on the side are on the bottom.

2. fully slide your hitch mount adapter into the hitch receiver. Using a sharpie, mark each side of the hitch mount adapter where the holes of the hitch pin align.



3. Using a step bit, drill out holes in the hitch mount adapter on each side.

4. Using a 2.5mm Allen key and parts bag, assemble your included S1 light onto the hitch mount adapter as shown in the accompanying image. Make sure that the side bolts are completely flush with the hitch mount adapter so that they do not prevent it from fully sliding into the hitch. Also, make sure you pull the Baja designs light completely through the tow hitch.

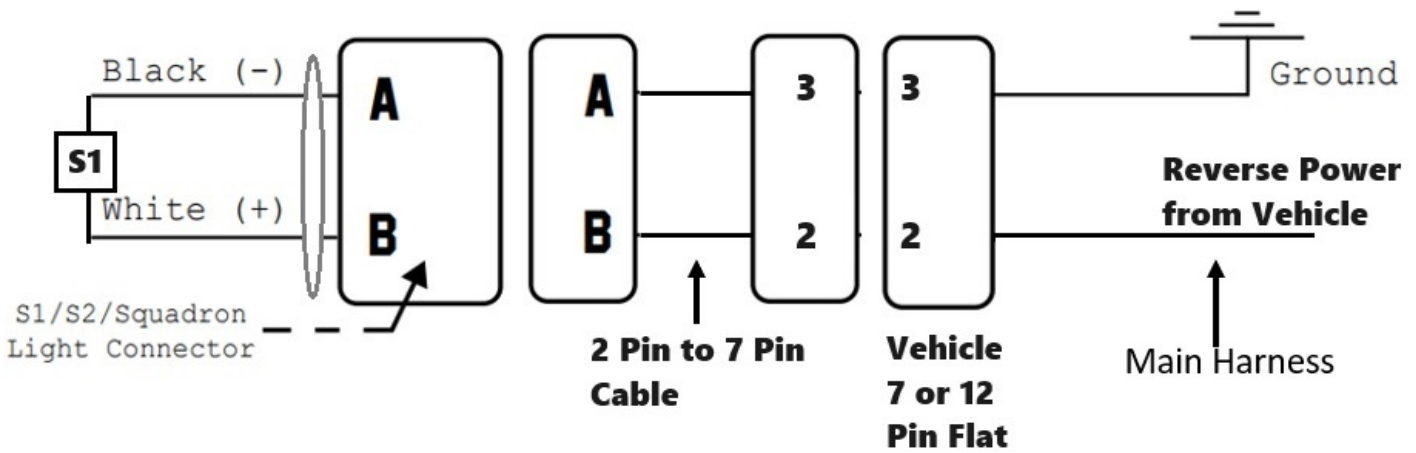


5. Insert the hitch pin completely through the hitch receiver and the hitch mount adapter. Then lock the pin on the other side using a cotter pin so that the light does not come out.



6. Now, from underneath your vehicle, find the hitch plug. It will be directly behind the plug that you plug your trailer hitch into. Unplug the connector on the back of the truck.

7. Using the provided plug and play wiring harness in the kit, plug the opposite side of the connector into your vehicles OEM wiring harness. Then, install the other side of your provided wiring harness back into the hitch plug.



10. Now, plug in the Baja Designs S1 plug into the included wiring harness lead. Zip tie all wires so that they do not interfere with any objects and can't break free. The light should turn on when the vehicle is on and in reverse if you purchased 44-8153



S1 WITH 2" HITCH ADAPTER & SHORT LEAD with 2 PIN SOCKET

- WITH BOTH WHITE AND AMBER WIDE DRIVING LENS INCLUDED



2 PIN PLUG TO 7 PIN FLAT AUSTRALIAN PLUG.

CONNECTS TO 7 AND 12 PIN FLAT CONNECTORS

\*Tie all wires away from sharp, hot, and/or rotating components.

\* Re-torque all the fasteners after 100 miles.

\*Your install is now complete! Thank you for choosing Baja Designs.

[www.baja.net.au](http://www.baja.net.au)